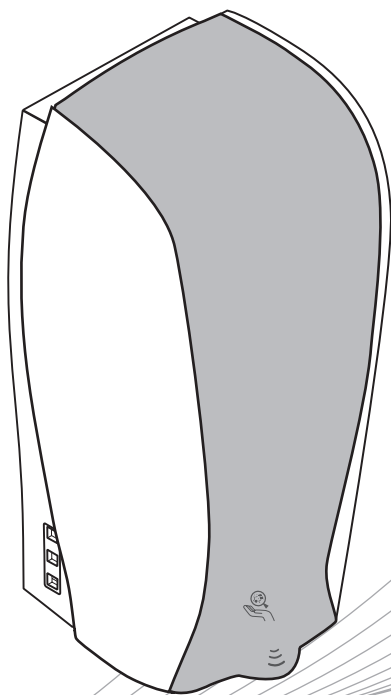
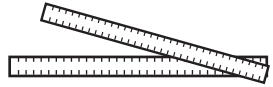
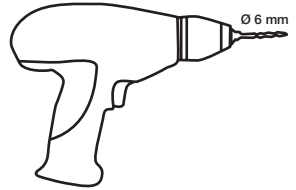
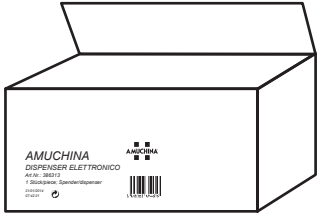

AMUCHINA®

Dispenser elettronico

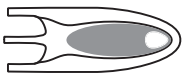




C-Type (baby/LR14)
ALKALINE



1 x



1 x

1 x



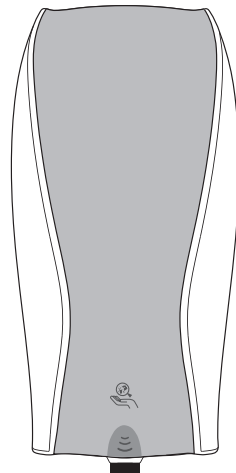
2 x



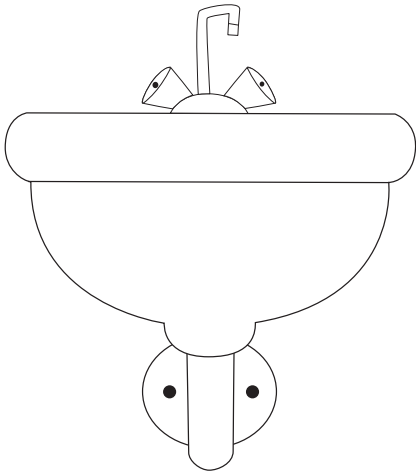
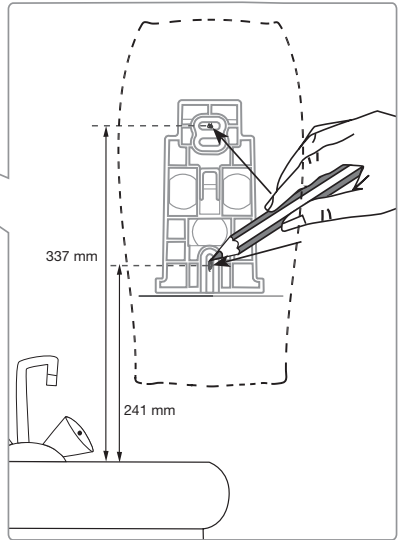
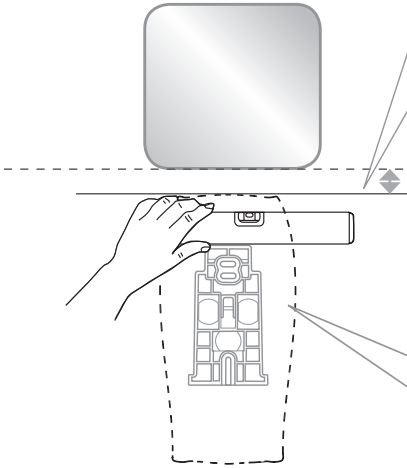
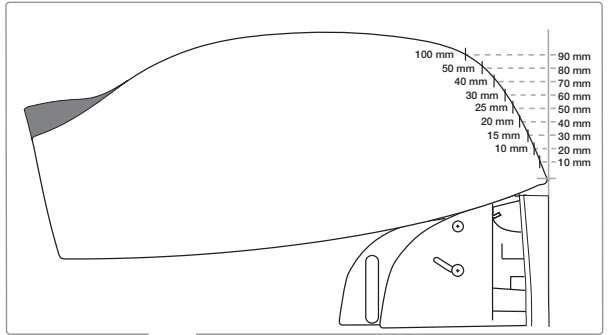
2 x



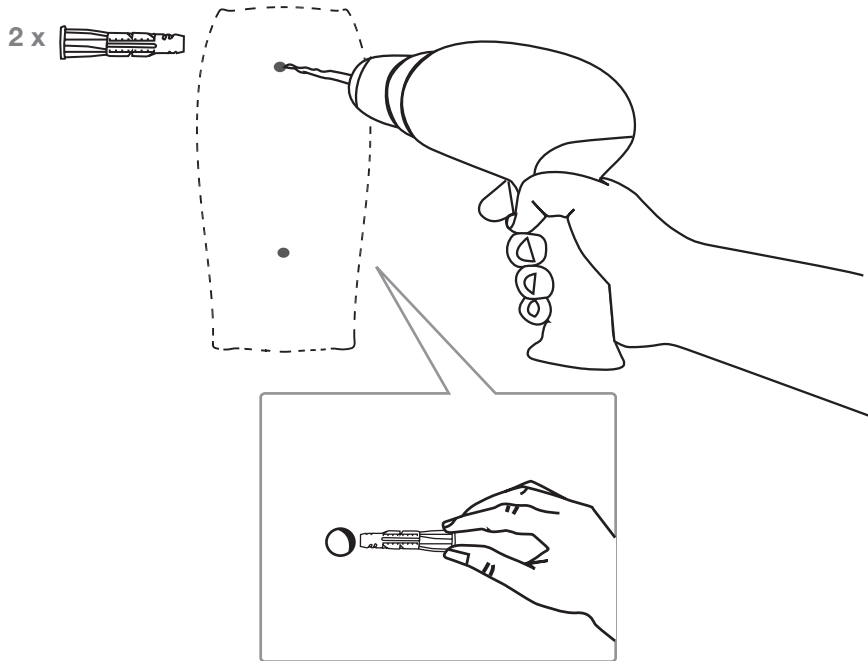
2 x



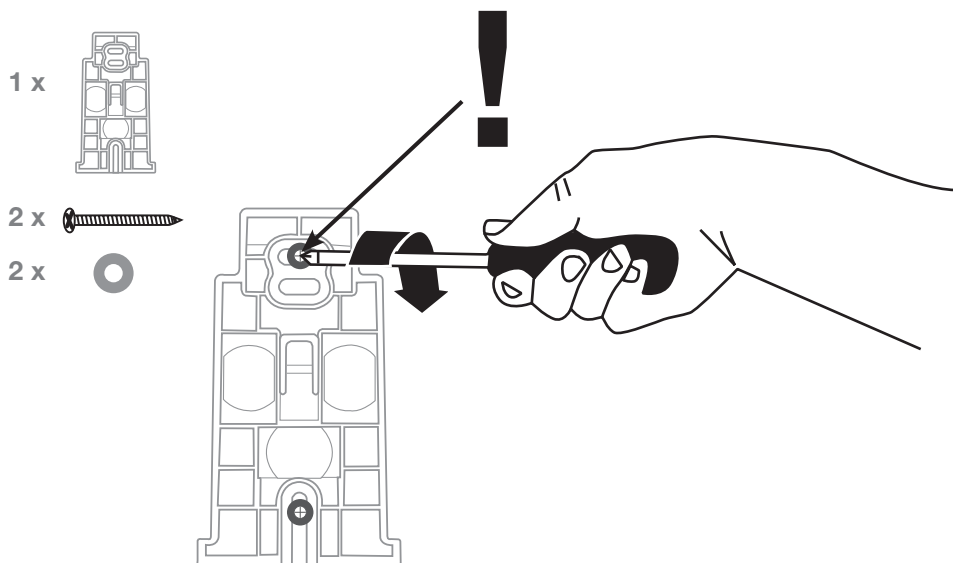
1.



2.

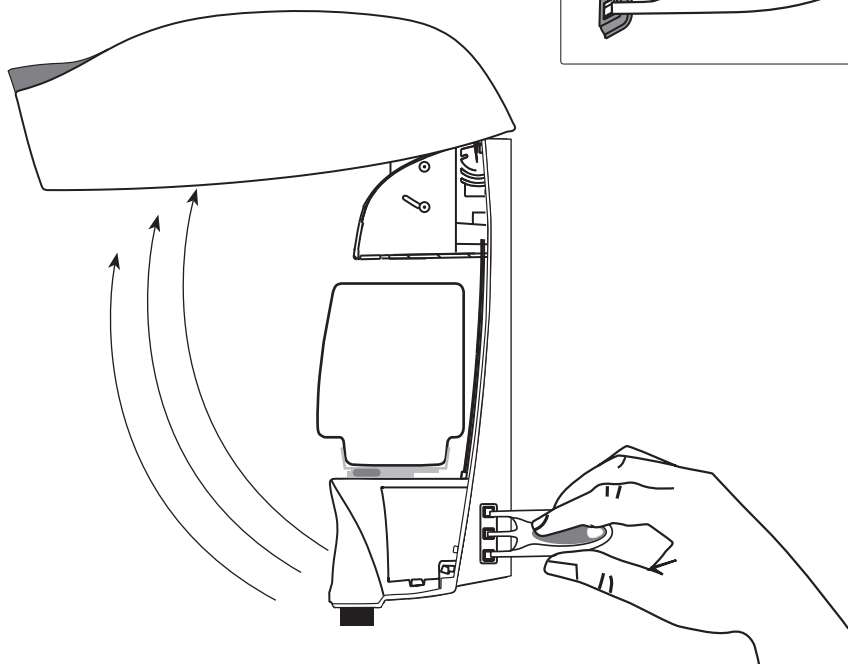
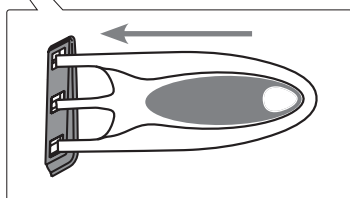
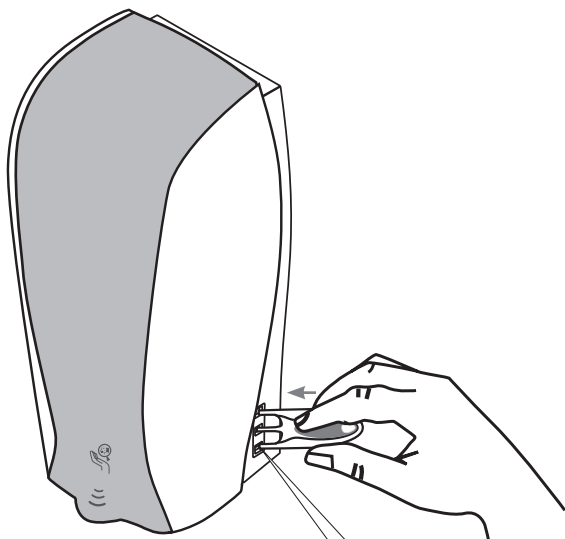
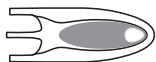


3.

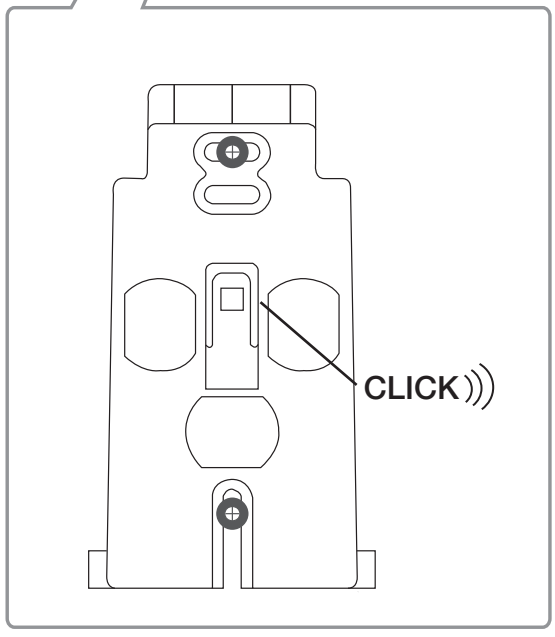
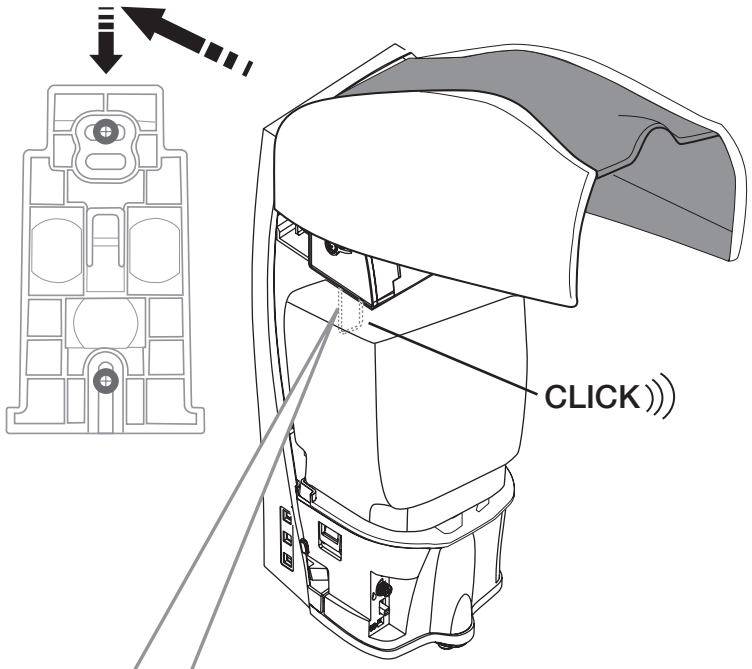


4.

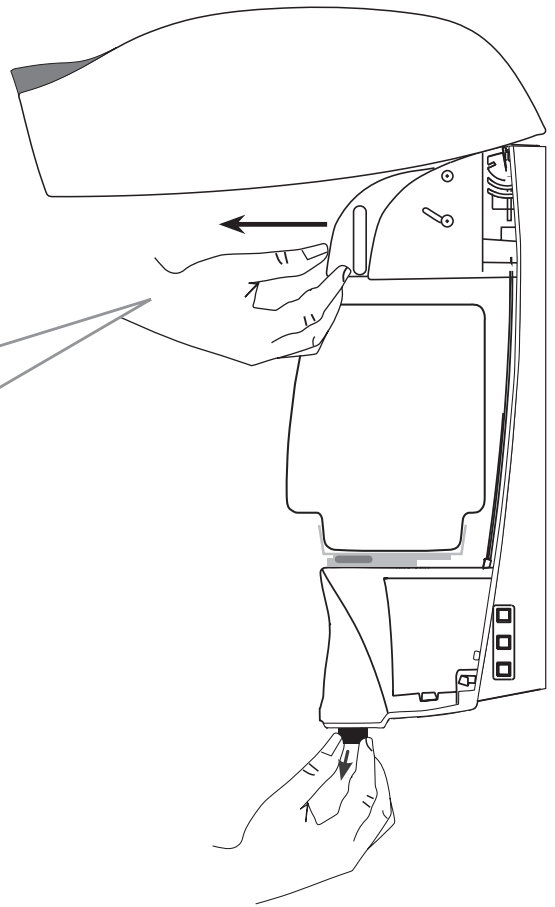
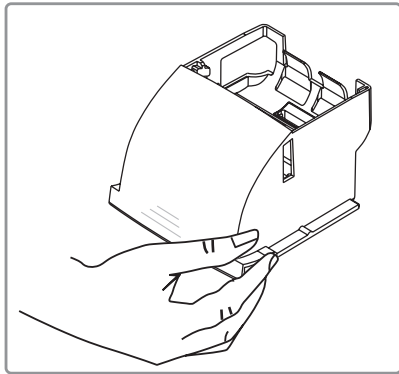
1 x



5.

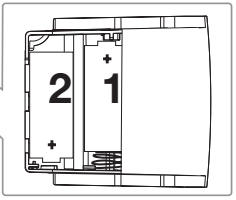
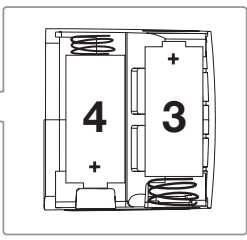
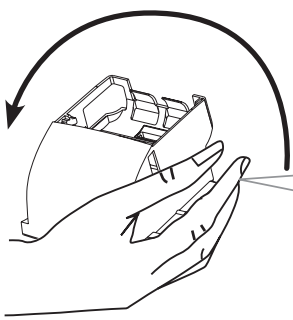
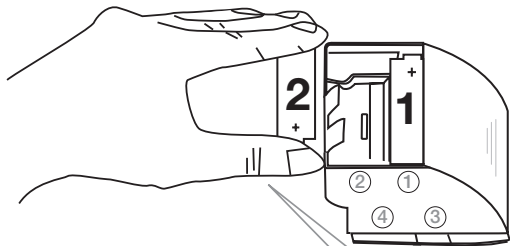


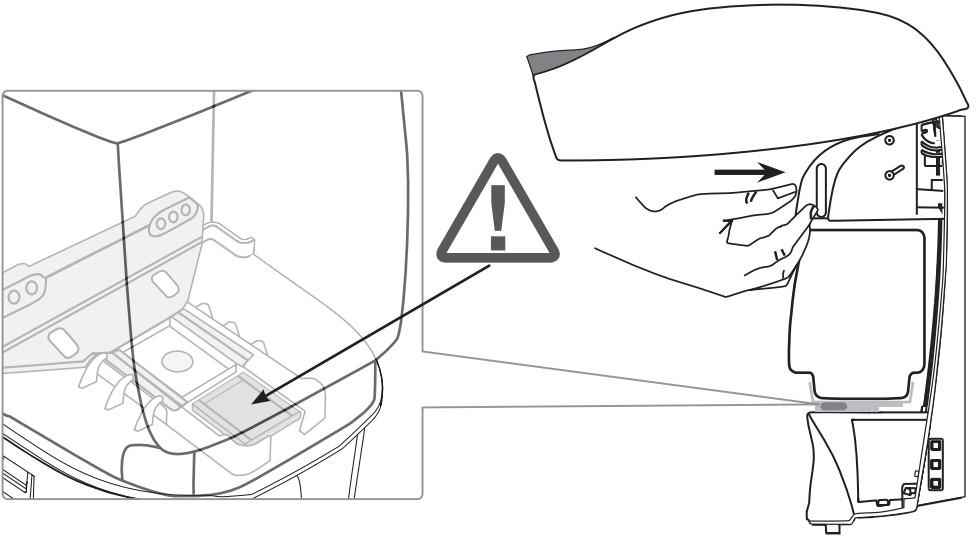
6.



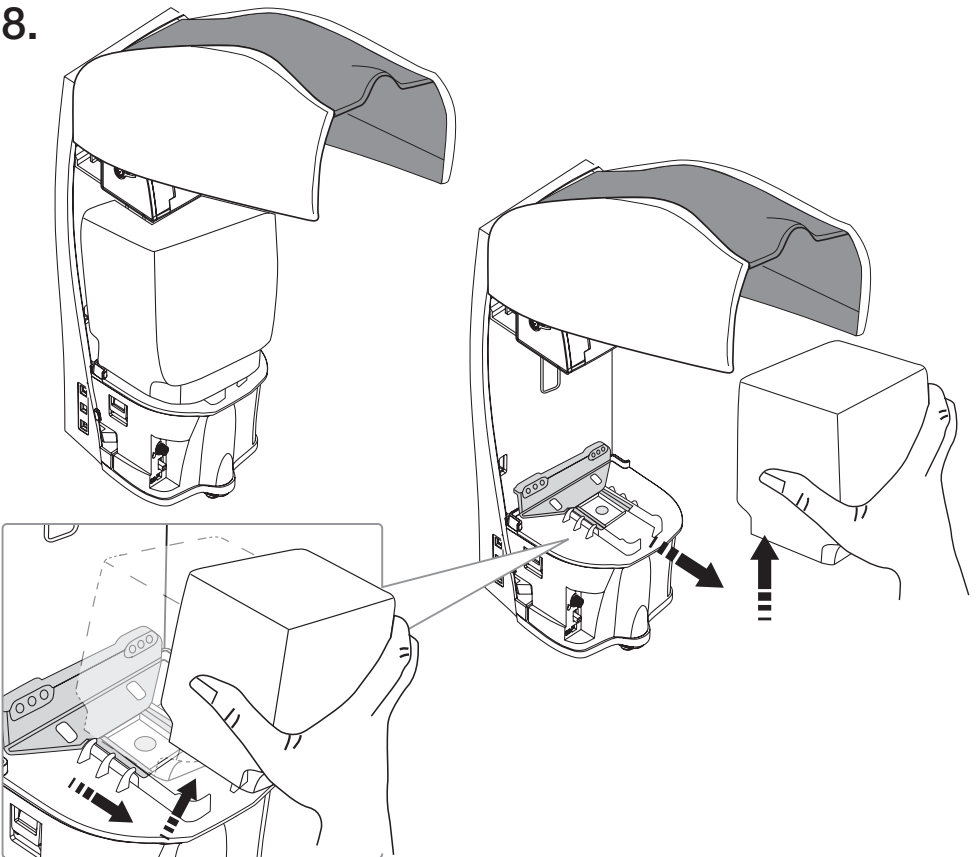
7.

C-Type (baby/LR14)
ALKALINE

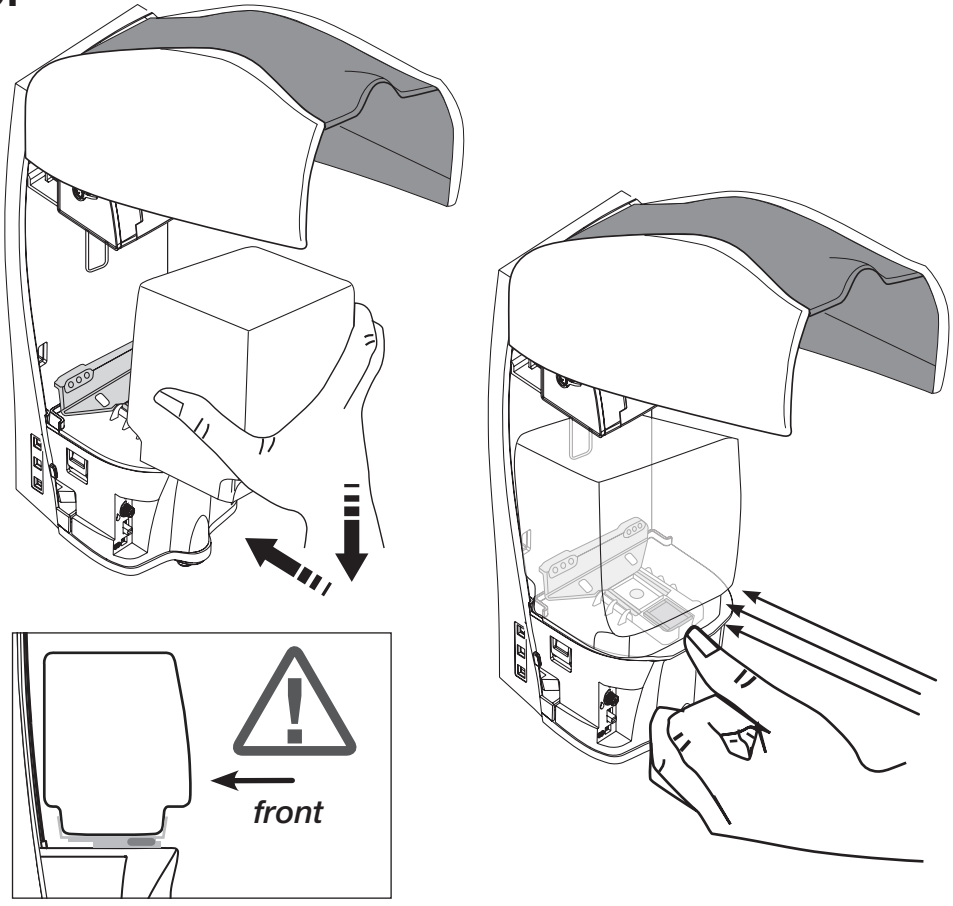




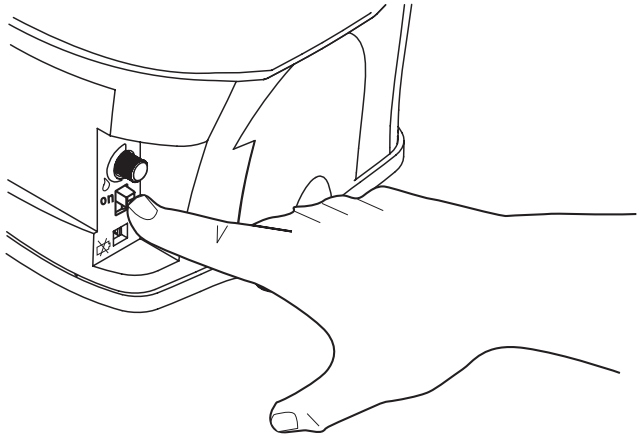
8.

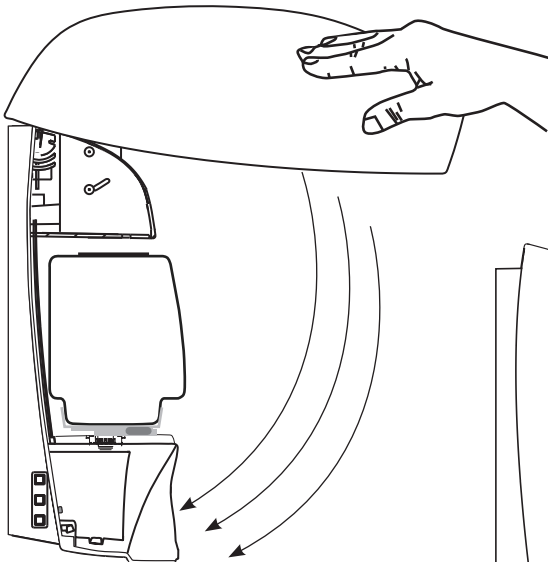
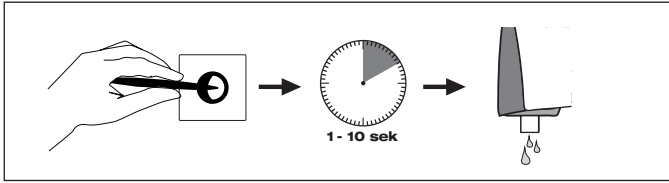
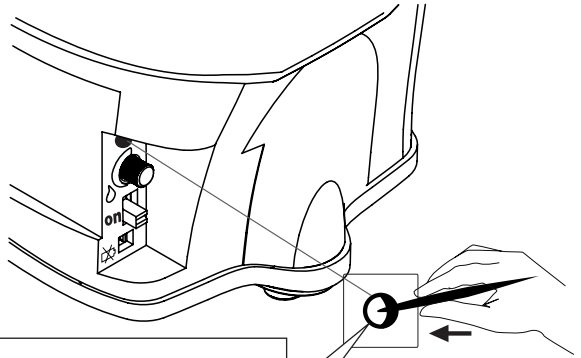


9.

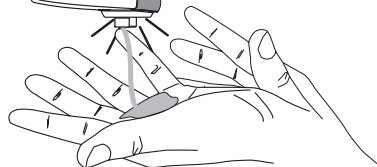
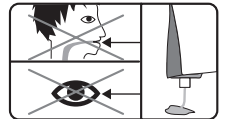
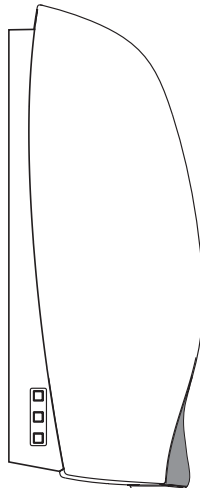


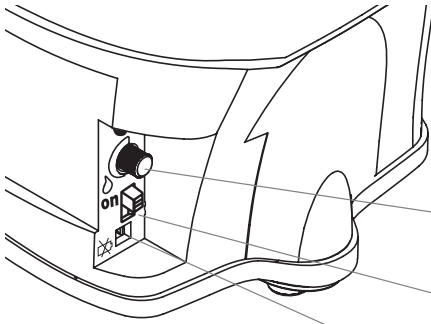
10.





CLICK)))





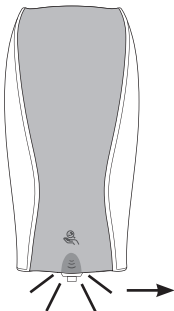
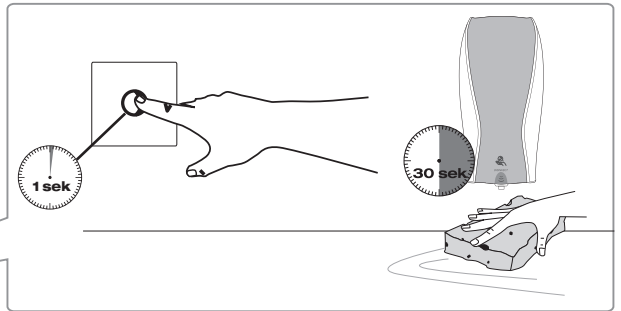
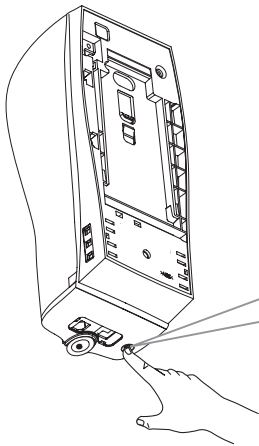
↻ 3ml
↻ 1ml



on
off



🔋 → (7.)



green	= ok	
green+red	= change	🔋 (6., 7., 10.)
red	=	🔋 empty

EC-DECLARATION of CONFORMITY

The distributor:

Company
Hagleitner Hygiene International GmbH
Lunastraße 5
5700 Zell am See

declares under our sole responsibility that the entire system

XIBU Amuchina Dispenser elettronico

Type: Dispenser

Mach. Nr.: P0283

Year of manufacture: 2014

Corresponds to the following regulations and standards:

- *European Directives regulations:*


2006/42/EC	Machinery directive
2006/95/EC	Low Voltage Directive
2004/108/EC	EC Electromagnetic Compatibility (EMC) directive
2011/65/EU	Restriction of certain hazardous substances in electronic equipment

- *Harmonised standards:*

EN ISO 12000	Safety of machinery, risk management
EN IEC 60947	Low-voltage switchgear and controlgear
EN 55014-1	Electromagnetic compatibility

The technical documentation is complete. The associated instruction manuals are enclosed in the national language of the user.

Zell am See, 6.2.2014


Hans Georg Hagleitner
Chief Executive Officer
Hagleitner Hygiene International GmbH