



**Scheren
Scissors**

010

Chirurgische Scheren
Operating Scissors

Tijeras quirúrgicas
Ciseaux chirurgicaux
Forbici per chirurgia

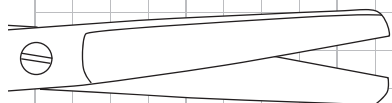


Art.Nr. Beschreibung | Description Size Spez.

STANDARD



010-000-11



11,5cm; 4 1/2"

010-001-11



11,5cm; 4 1/2"

010-000-13



13,0cm; 5"

010-001-13



13,0cm; 5"

010-000-14



14,5cm; 5 3/4"

010-001-14



14,5cm; 5 3/4"

1/1 0 mm 20 mm 40 mm 60 mm

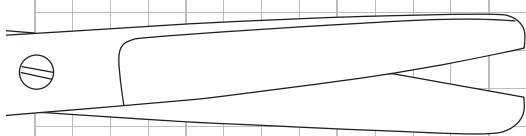
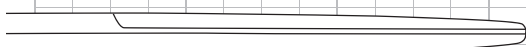

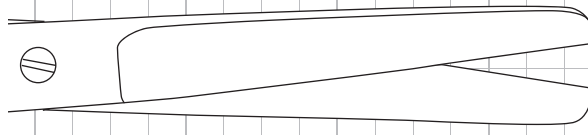

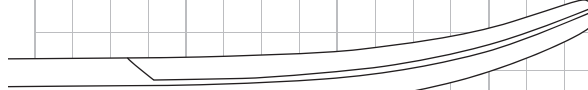

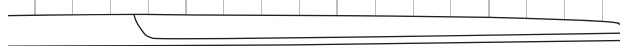

Chirurgische Scheren
Operating Scissors

Tijeras quirúrgicas
Ciseaux chirurgicaux
Forbici per chirurgia

Art.Nr. Beschreibung | Description Size Spez.

STANDARD



		
010-000-16		16,5cm; 6 1/2"
010-001-16		16,5cm; 6 1/2"
		
010-000-18		18,5cm; 7 1/4"
010-001-18		18,5cm; 7 1/4"
		
010-000-20		20,0cm; 8"
010-001-20		20,0cm; 8"
	1/1 0 mm 20 mm 40 mm 60 mm 80 mm	

010

Chirurgische Scheren
Operating Scissors

Tijeras quirúrgicas
Ciseaux chirurgicaux
Forbici per chirurgia

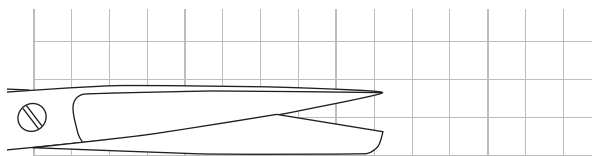


Art.Nr. Beschreibung | Description Size Spez.

STANDARD



010-002-11



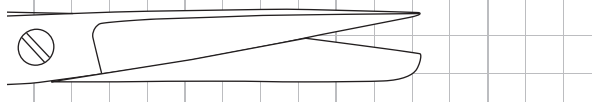
11,5cm; 4 1/2"

010-003-11



11,5cm; 4 1/2"

010-002-13



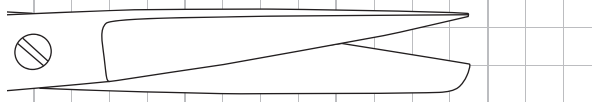
13,0cm; 5"

010-003-13



13,0cm; 5"

010-002-14



14,5cm; 5 3/4"

010-003-14



14,5cm; 5 3/4"

1/1 0 mm 20 mm 40 mm 60 mm

010

Chirurgische Scheren
Operating Scissors

Tijeras quirúrgicas
Ciseaux chirurgicaux
Forbici per chirurgia

Art.Nr. Beschreibung | Description Size Spez.

STANDARD



010-002-16		16,5cm; 6 1/2"
010-003-16		16,5cm; 6 1/2"
010-002-18		18,5cm; 7 1/4"
010-003-18		18,5cm; 7 1/4"
010-002-20		20,0cm; 8"
010-003-20		20,0cm; 8"

1/1 0 mm 20 mm 40 mm 60 mm 80 mm

010

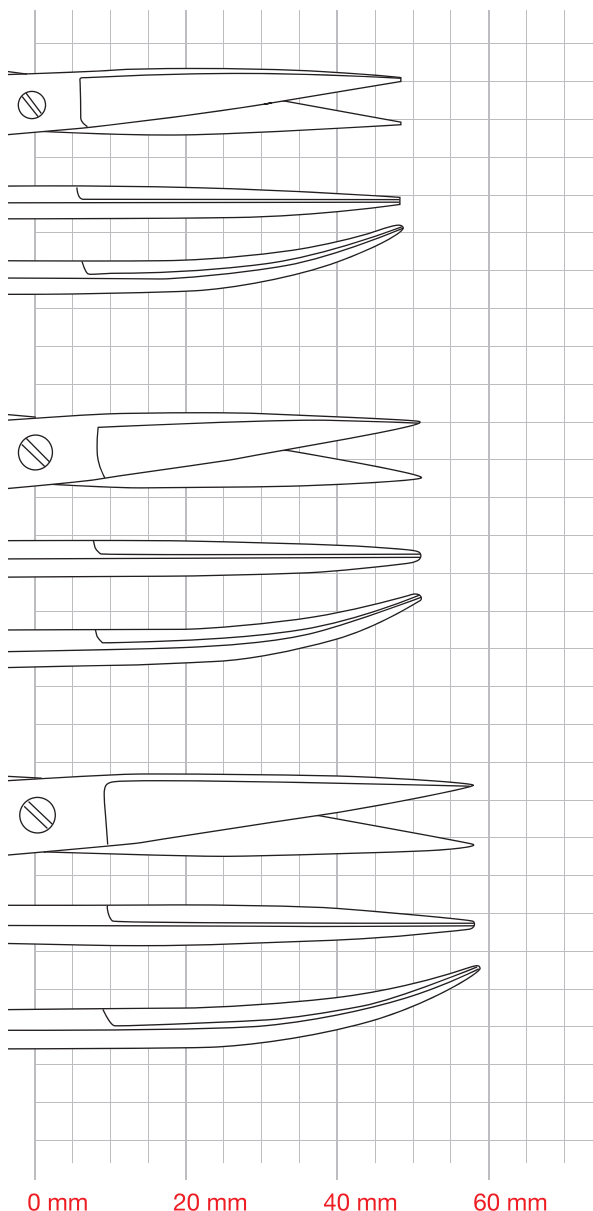
Chirurgische Scheren
Operating Scissors

Tijeras quirúrgicas
Ciseaux chirurgicaux
Forbici per chirurgia



Art.Nr. Beschreibung | Description Size Spez.

STANDARD



010-004-11

11,5cm; 4 1/2"

010-005-11

11,5cm; 4 1/2"

010-004-13

13,0cm; 5"

010-005-13

13,0cm; 5"

010-004-14

14,5cm; 5 3/4"

010-005-14

14,5cm; 5 3/4"

1/1 0 mm 20 mm 40 mm 60 mm

Chirurgische Scheren
Operating Scissors

Tijeras quirúrgicas
Ciseaux chirurgicaux
Forbici per chirurgia

Art.Nr. Beschreibung | Description Size Spez.

STANDARD



010-004-16		16,5cm; 6 1/2"
010-005-16		16,5cm; 6 1/2"
010-004-18		18,5cm; 7 1/4"
010-005-18		18,5cm; 7 1/4"
010-004-20		20,0cm; 8"
010-005-20		20,0cm; 8"
1/1	0 mm 20 mm 40 mm 60 mm 80 mm	

010

Chirurgische Scheren
Operating Scissors

Tijeras quirúrgicas
Ciseaux chirurgicaux
Forbici per chirurgia



Art.Nr.	Beschreibung Description	Size	Spez.
---------	----------------------------	------	-------

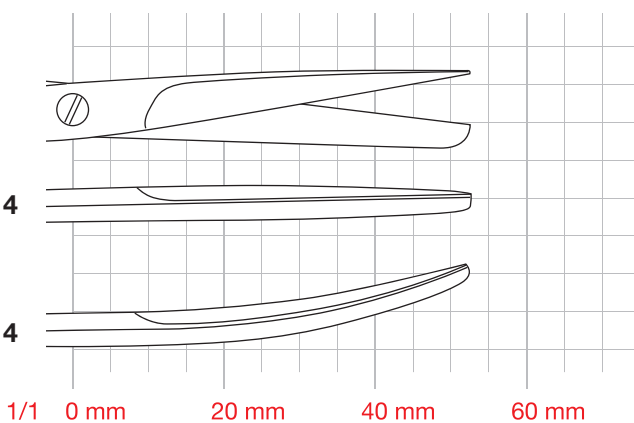
DEAVER

14,5cm; 5 3/4"



010-052-14

010-053-14



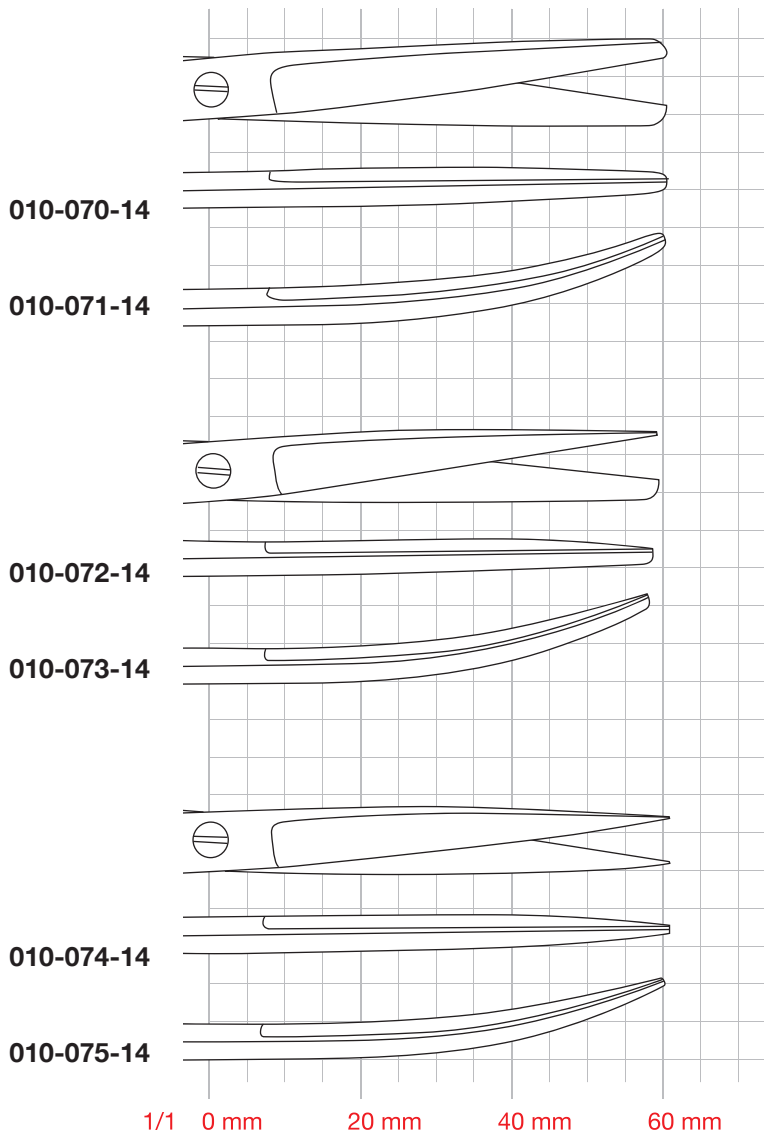
Custom etching on
stainless steel
instruments is available.



Chirurgische Scheren
Operating Scissors

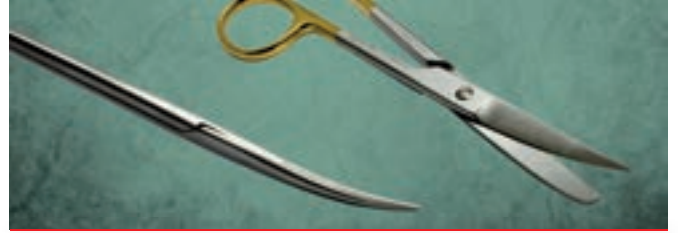
Tijeras quirúrgicas
Ciseaux chirurgicaux
Forbici per chirurgia

Art.Nr.	Beschreibung Description	Size	Spez.
	GRAZIL	14,5cm; 5 3/4"	



Präparierscheren
Dissecting Scissors

Tijeras de disección
Ciseaux à dissection
Forbici per dissezione



Art.Nr.	Beschreibung Description	Size	Spez.
MAYO			
010-100-14		14,5cm; 5 3/4"	
010-101-14		14,5cm; 5 3/4"	
010-100-15		15,0cm; 6"	
010-101-15		15,0cm; 6"	
010-100-17		17,0cm; 6 3/4"	
010-101-17		17,0cm; 6 3/4"	
010-100-23		23,0cm; 9"	
010-101-23		23,0cm; 9"	
	1/1 0 mm 20 mm 40 mm 60 mm 80 mm		

010

Präparierscheren
Dissecting Scissors
 Tijeras de disección
 Ciseaux à dissection
 Forbici per dissezione

Art.Nr.	Beschreibung Description	Size	Spez.
---------	----------------------------	------	-------

MAYO-STILLE

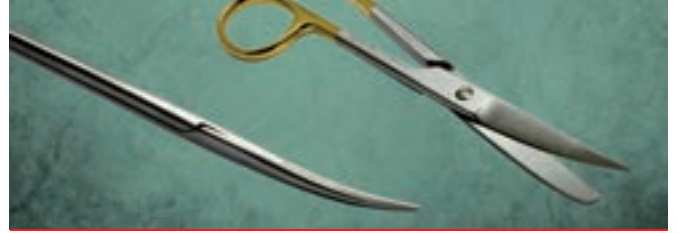


010-102-15		15,0cm; 6"
010-103-15		15,0cm; 6"
010-102-16		16,0cm; 6 1/4"
010-103-16		16,0cm; 6 1/4"
010-102-17		17,0cm; 6 3/4"
010-103-17		17,0cm; 6 3/4"

1/1 0 mm 20 mm 40 mm 60 mm

010

Präparierscheren
Dissecting Scissors
 Tijeras de disección
 Ciseaux à dissection
 Forbici per dissezione

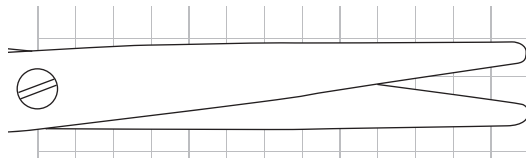
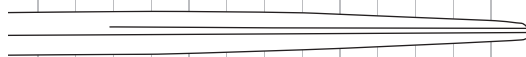
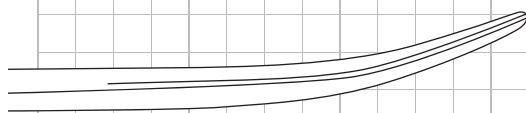
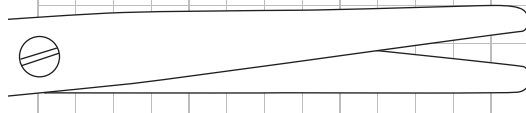
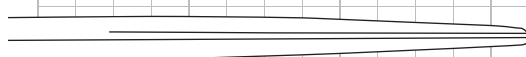
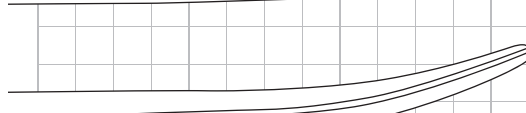


Art.Nr.	Beschreibung Description	Size	Spez.
---------	----------------------------	------	-------

MAYO-STILLE

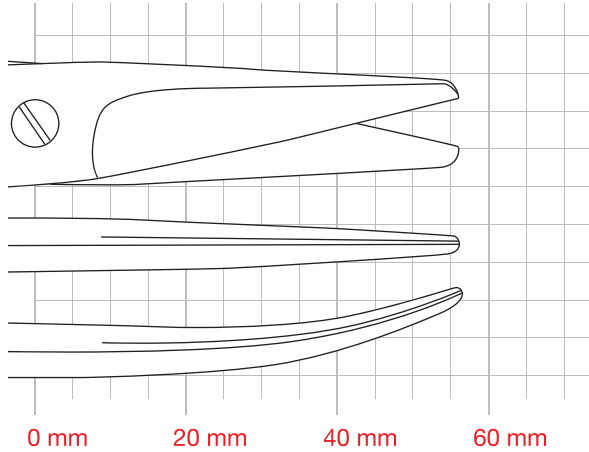


010

		
010-102-19		19,5cm; 7 3/4"
010-103-19		19,5cm; 7 3/4"
		
010-102-21		21,0cm; 8 1/4"
010-103-21		21,0cm; 8 1/4"
	1/1 0 mm 20 mm 40 mm 60 mm	

Präparierscheren
Dissecting Scissors
 Tijeras de disección
 Ciseaux à dissection
 Forbici per dissezione

Art.Nr.	Beschreibung Description	Size	Spez.
	MAYO-NOBLE	17,0cm; 6 3/4"	



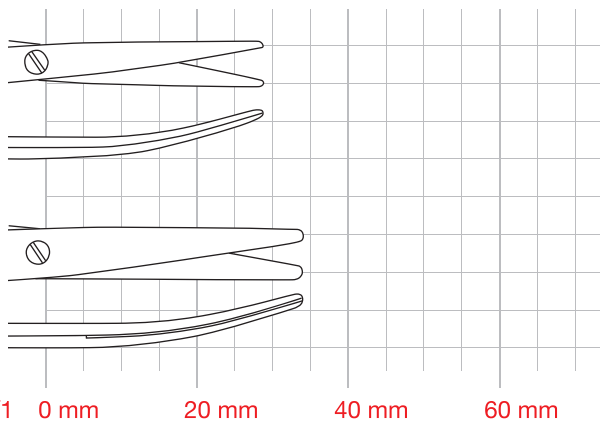
010-104-17

010-105-17

1/1 0 mm 20 mm 40 mm 60 mm

SALYER

für Lippen-, Kiefer-, Gaumenspalte | for cleft palate
 para fisura paladar | pour fente du palais | per cheilo-labbro-palato schisi



010-339-12

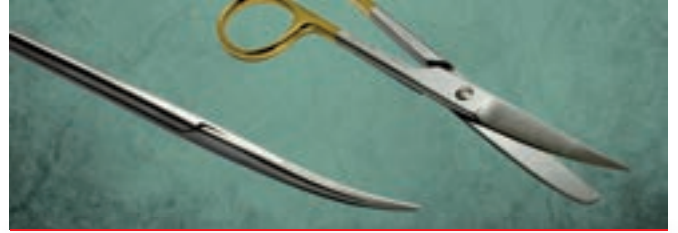
010-339-18

12,5cm; 5"

18,0cm; 7"

1/1 0 mm 20 mm 40 mm 60 mm

Präparierscheren
Dissecting Scissors
 Tijeras de disección
 Ciseaux à dissection
 Forbici per dissezione

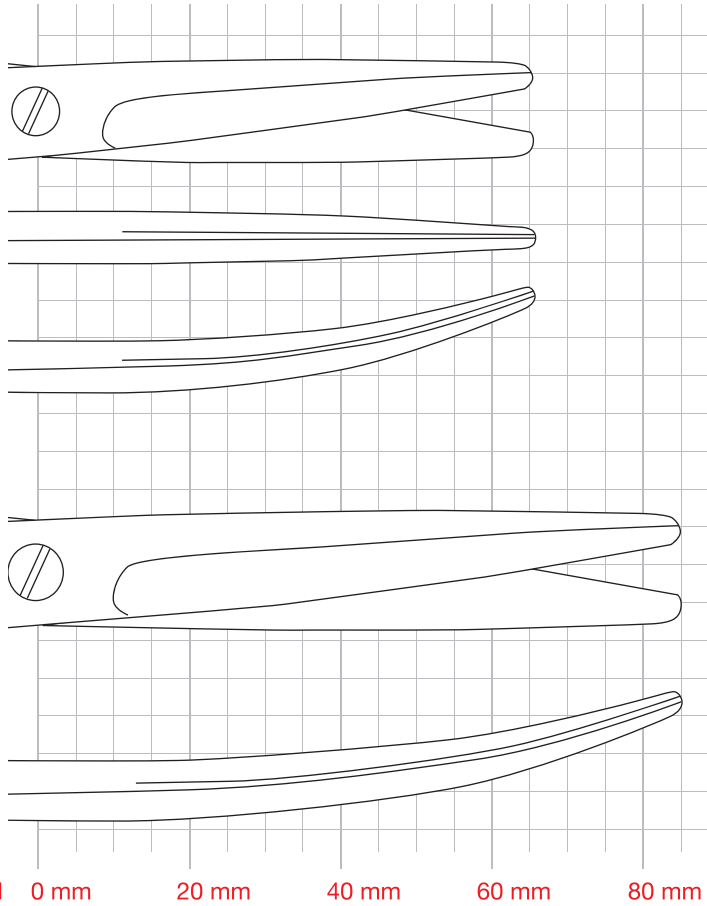


Art.Nr.	Beschreibung Description	Size	Spez.
---------	----------------------------	------	-------

MAYO-HARRINGTON



010



010-108-22

23,0cm; 9"

010-109-22

23,0cm; 9"

010-109-28

28,0cm; 11"

1/1 0 mm 20 mm 40 mm 60 mm 80 mm

Präparierscheren
Dissecting Scissors

Tijeras de disección
 Ciseaux à dissection
 Forbici per dissezione

Art.Nr.	Beschreibung Description	Size	Spez.
---------	----------------------------	------	-------

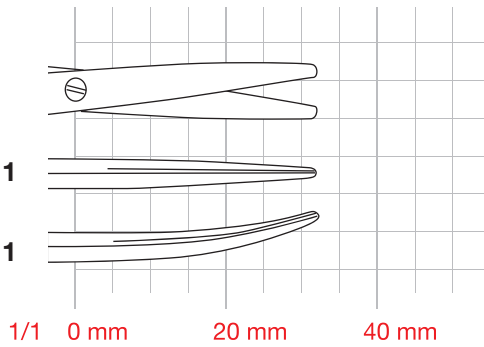
BABY-METZENBAUM

11,5cm; 4 1/2"



010-110-11

010-111-11



1/1 0 mm 20 mm 40 mm

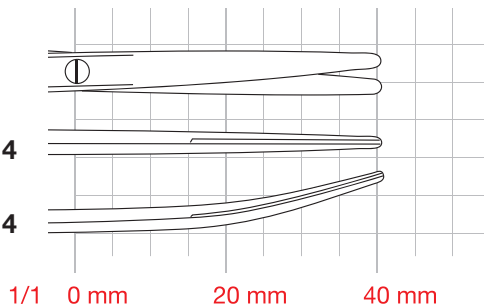
METZENBAUM

14,5cm; 5 3/4"



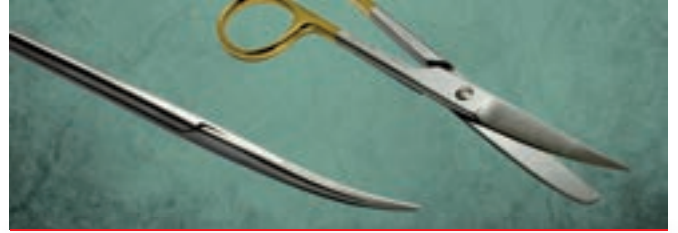
010-110-14

010-111-14



1/1 0 mm 20 mm 40 mm

Präparierscheren
Dissecting Scissors
 Tijeras de disección
 Ciseaux à dissection
 Forbici per dissezione



Art.Nr.	Beschreibung Description	Size	Spez.
---------	----------------------------	------	-------

METZENBAUM-NELSON



010

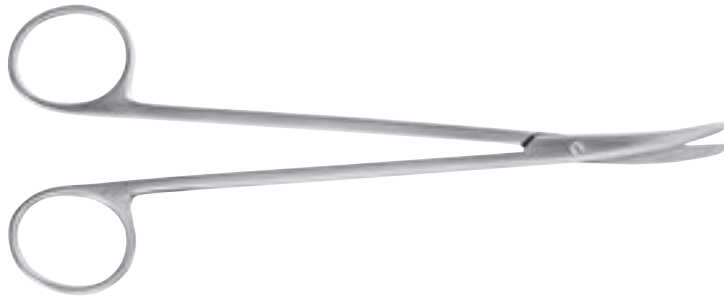
010-110-18		18,0cm; 7"
010-111-18		18,0cm; 7"
010-110-20		20,0cm; 8"
010-111-20		20,0cm; 8"
010-110-23		23,0cm; 9"
010-111-23		23,0cm; 9"

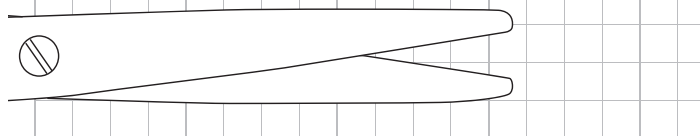

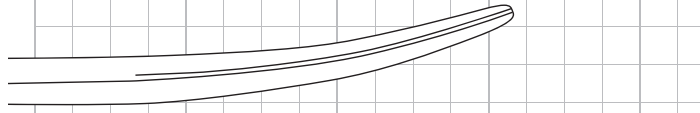
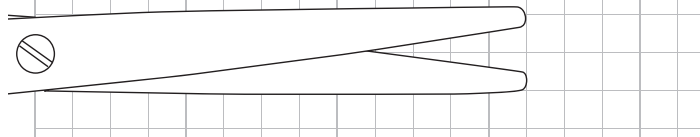

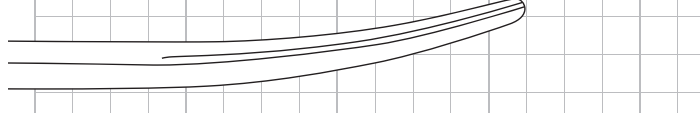
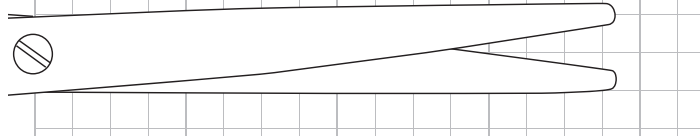

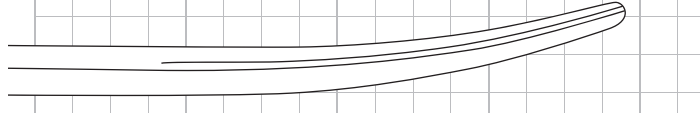
1/1 0 mm 20 mm 40 mm 60 mm

Präparierscheren
Dissecting Scissors
 Tijeras de disección
 Ciseaux à dissection
 Forbici per dissezione

Art.Nr. Beschreibung | Description Size Spez.

METZENBAUM-NELSON



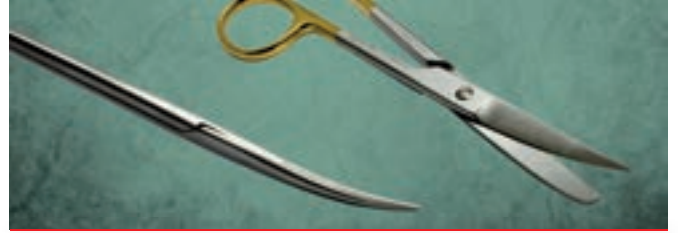
Art.Nr.	Beschreibung Description	Size	Spez.
			
010-110-25		26,0cm; 10 1/4"	
010-111-25		26,0cm; 10 1/4"	
			
010-110-28		28,5cm; 11 1/4"	
010-111-28		28,5cm; 11 1/4"	
			
010-110-30		31,0cm; 12 1/4"	
010-111-30		31,0cm; 12 1/4"	

1/1 0 mm 20 mm 40 mm 60 mm 80 mm

010

Präparierscheren
Dissecting Scissors

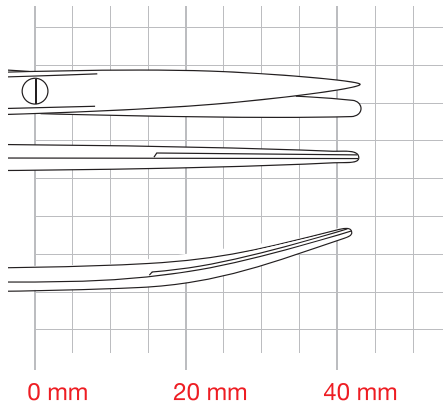
Tijeras de disección
Ciseaux à dissection
Forbici per dissezione



Art.Nr.	Beschreibung Description	Size	Spez.
---------	----------------------------	------	-------

METZENBAUM

14,5cm; 5 3/4"



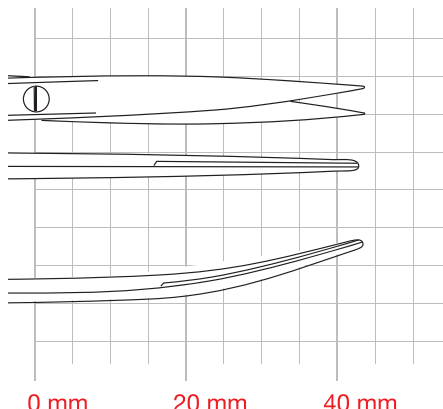
010-112-14

010-113-14

1/1 0 mm 20 mm 40 mm

METZENBAUM

14,5cm; 5 3/4"



010-114-14

010-115-14

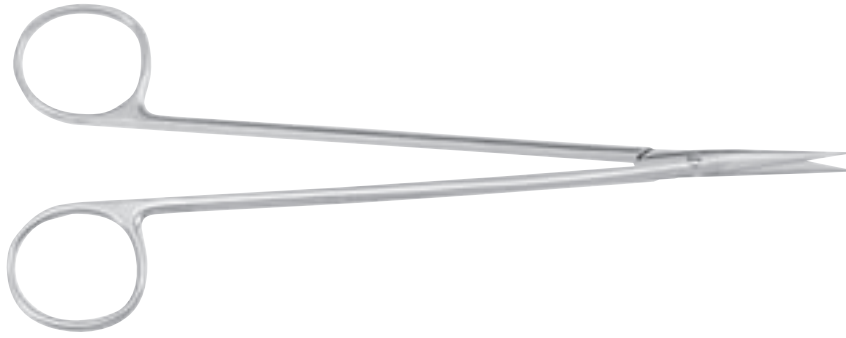
1/1 0 mm 20 mm 40 mm

010

Präparierscheren
Dissecting Scissors
 Tijeras de disección
 Ciseaux à dissection
 Forbici per dissezione

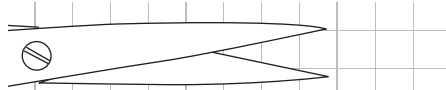
Art.Nr.	Beschreibung Description	Size	Spez.
---------	----------------------------	------	-------

METZENBAUM-NELSON



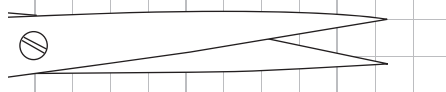
010-114-18

18,0cm; 7"



010-114-20

20,0cm; 8"



1/1 0 mm 20 mm 40 mm

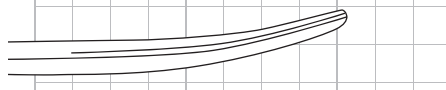
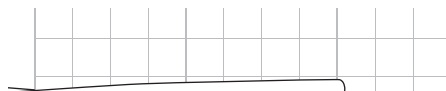
METZENBAUM

15,5cm; 6 1/8"



010-110-15

010-111-15

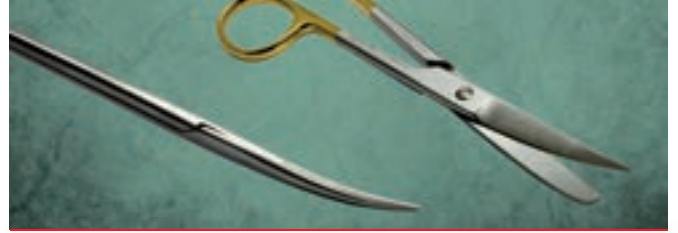


1/1 0 mm 20 mm 40 mm

010

Präparierscheren
Dissecting Scissors

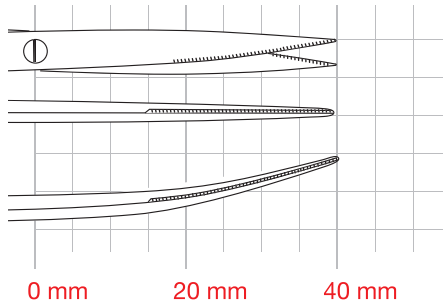
Tijeras de disección
Ciseaux à dissection
Forbici per dissezione



Art.Nr. Beschreibung | Description Size Spez.

METZENBAUM

14,5cm; 5 3/4"

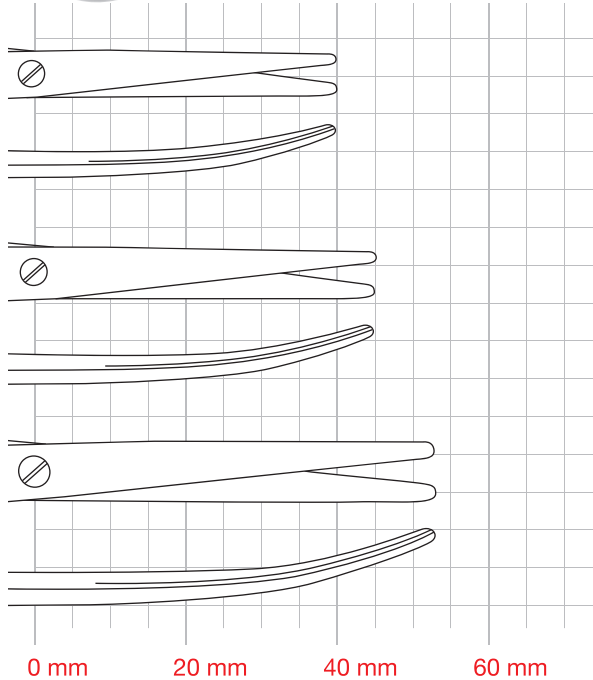
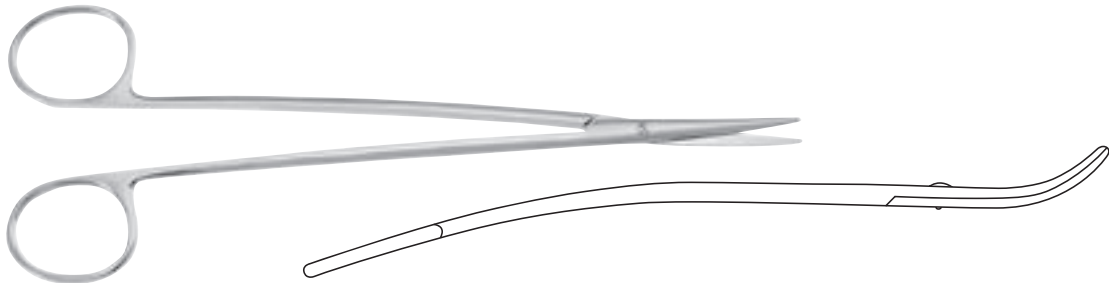


010-116-14

010-117-14

010

METZENBAUM-FINO S



010-127-18

18,0cm; 7"

010-127-20

20,5cm; 8"

010-127-23

23,0cm; 9"

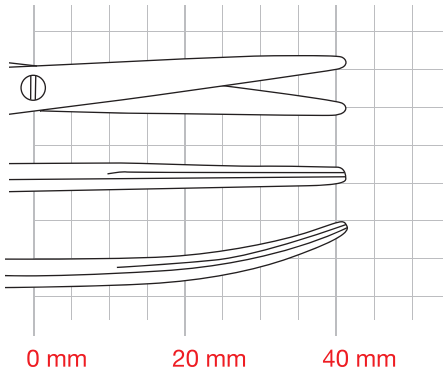
Präparierscheren
Dissecting Scissors

Tijeras de disección
Ciseaux à dissection
Forbici per dissezione

Art.Nr.	Beschreibung Description	Size	Spez.
---------	----------------------------	------	-------

METZENBAUM-FINO

14,5cm; 5 3/4"



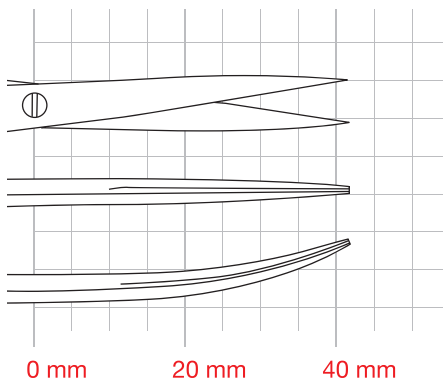
010-120-14

010-121-14

1/1 0 mm 20 mm 40 mm

METZENBAUM-FINO

14,5cm; 5 3/4"



010-124-14

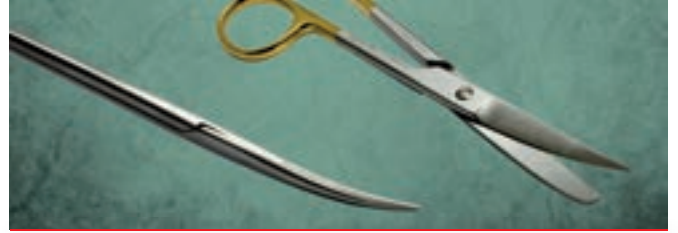
010-125-14

1/1 0 mm 20 mm 40 mm

010

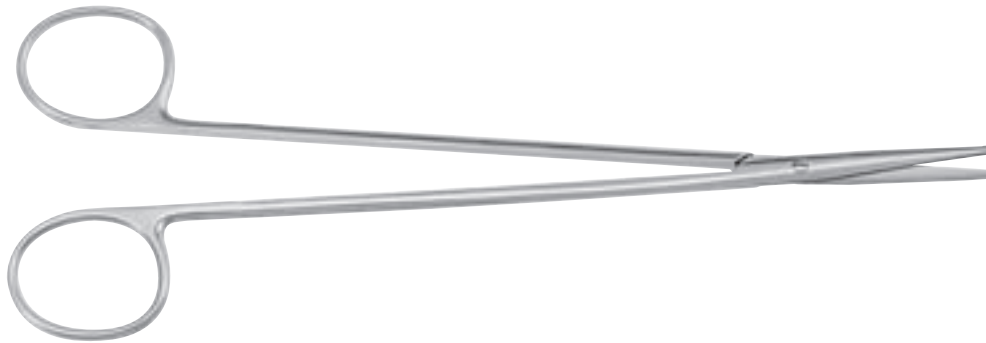
Präparierscheren
Dissecting Scissors

Tijeras de disección
Ciseaux à dissection
Forbici per dissezione

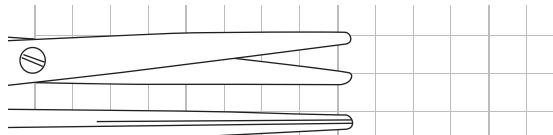


Art.Nr. Beschreibung | Description Size Spez.

METZENBAUM-FINO



010-120-18



18,0cm; 7"

010-121-18



18,0cm; 7"

010-120-20



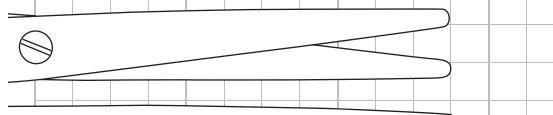
20,5cm; 8"

010-121-20



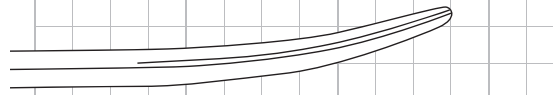
20,5cm; 8"

010-120-23



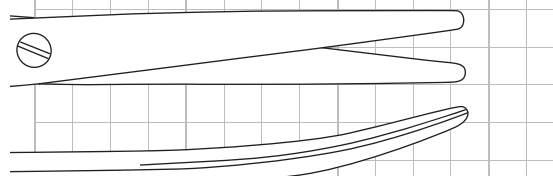
23,0cm; 9"

010-121-23



23,0cm; 9"

010-121-25



25,0cm; 9 3/4"

1/1 0 mm 20 mm 40 mm 60 mm

010

Präparierscheren
Dissecting Scissors

Tijeras de disección
Ciseaux à dissection
Forbici per dissezione

Art.Nr. Beschreibung | Description Size Spez.

METZENBAUM-FINO



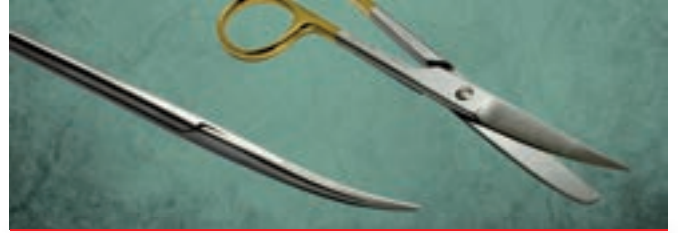
010-124-18		18,0cm; 7"
010-125-18		18,0cm; 7"
010-124-20		20,5cm; 8"
010-125-20		20,5cm; 8"
010-124-23		23,0cm; 9"
010-125-23		23,0cm; 9"

1/1 0 mm 20 mm 40 mm 60 mm

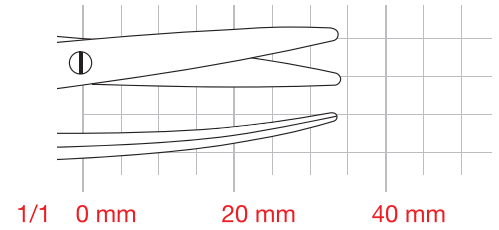
010

Präparierscheren
Dissecting Scissors

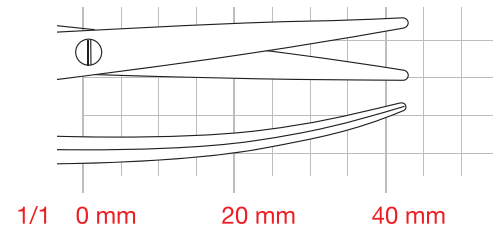
Tijeras de disección
Ciseaux à dissection
Forbici per dissezione



Art.Nr.	Beschreibung Description	Size	Spez.
010-137-14	METZENBAUM-LAHEY	14,0cm; 5 1/2"	



010-139-17	TOENNIS-ADSON	17,0cm; 6 3/4"	
------------	---------------	----------------	--



All sizes and length specified in this catalogue are as accurately as possible. Variations may occur. We reserve the right to modify products without customers notice.



Präparierscheren
Dissecting Scissors

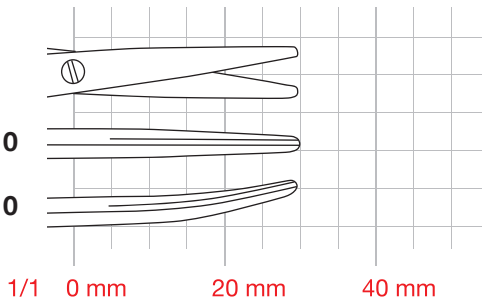
Tijeras de disección
 Ciseaux à dissection
 Forbici per dissezione

Art.Nr.	Beschreibung <i>Description</i>	Size	Spez.
	BABY-LEXER	10,0cm; 4"	



010-140-10

010-141-10



1/1 0 mm 20 mm 40 mm

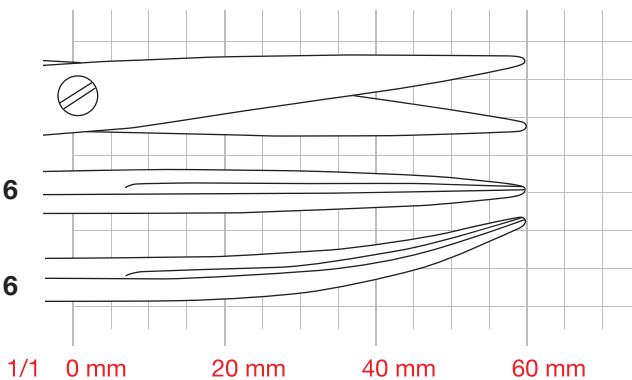
LEXER-FINO

16,5cm; 6 1/2"



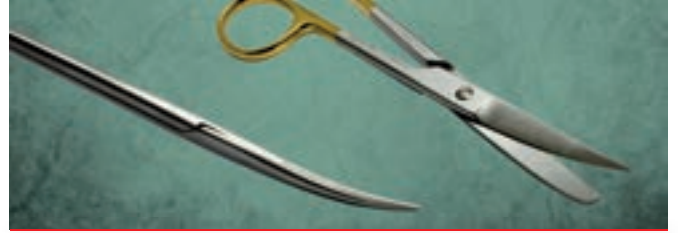
010-142-16

010-143-16



1/1 0 mm 20 mm 40 mm 60 mm

Präparierscheren
Dissecting Scissors
 Tijeras de disección
 Ciseaux à dissection
 Forbici per dissezione

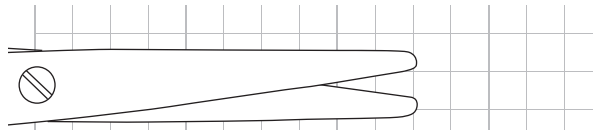


Art.Nr.	Beschreibung Description	Size	Spez.
---------	----------------------------	------	-------

LEXER

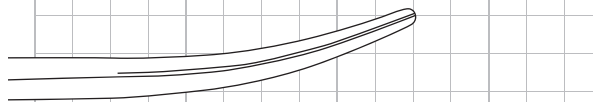


010-140-16



16,0cm; 6 1/4"

010-141-16



16,0cm; 6 1/4"

010-140-21



21,0cm; 8 1/4"

010-141-21



21,0cm; 8 1/4"

1/1 0 mm 20 mm 40 mm 60 mm

010

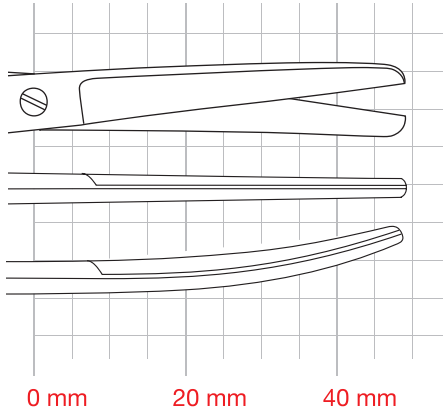
Präparierscheren
Dissecting Scissors

Tijeras de disección
 Ciseaux à dissection
 Forbici per dissezione

Art.Nr.	Beschreibung Description	Size	Spez.
---------	----------------------------	------	-------

MIXTER

17,0cm; 6 3/4"

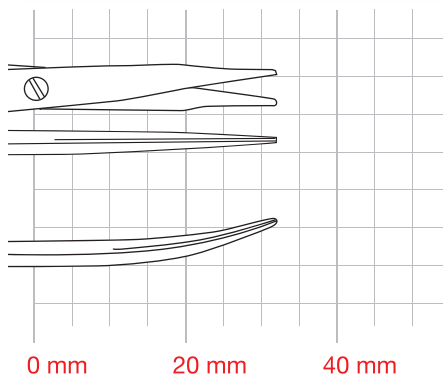


010-160-17

010-161-17

1/1 0 mm 20 mm 40 mm

11,5cm; 4 1/2"



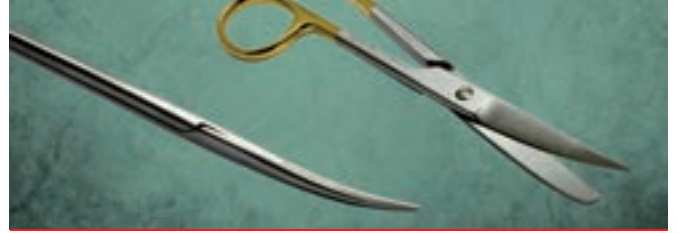
010-204-11

010-205-11

1/1 0 mm 20 mm 40 mm

010

Präparierscheren
Dissecting Scissors
 Tijeras de disección
 Ciseaux à dissection
 Forbici per dissezione



Art.Nr.	Beschreibung <i>Description</i>	Size	Spez.
---------	-----------------------------------	------	-------

KILNER (RAGNELL)



010

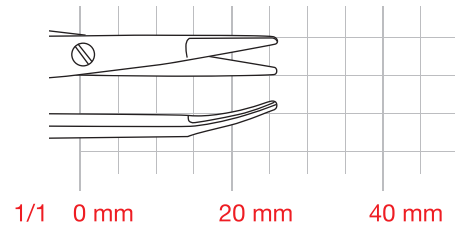
010-200-12		12,0cm; 4 3/4"
010-201-12		12,0cm; 4 3/4"
010-200-15		15,0cm; 6"
010-201-15		15,0cm; 6"

1/1 0 mm 20 mm 40 mm

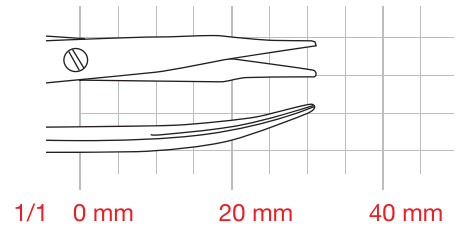
Präparierscheren
Dissecting Scissors

Tijeras de disección
Ciseaux à dissection
Forbici per dissezione

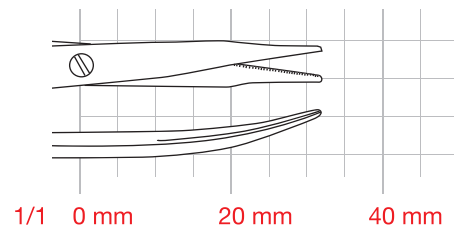
Art.Nr.	Beschreibung Description	Size	Spez.
010-203-12	SHEA VEIN GRAFT	12,0cm; 4 3/4"	



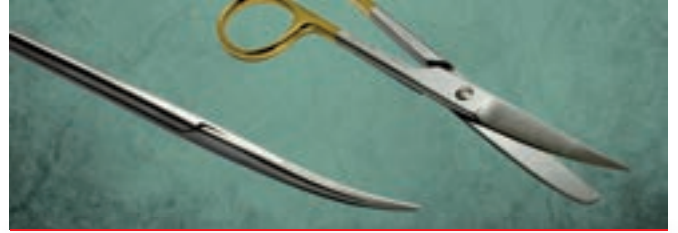
010-214-14	JAMESON	15,5cm; 6"	
------------	---------	------------	--



010-215-14	JAMESON	15,5cm; 6"	
------------	---------	------------	--



Präparierscheren
Dissecting Scissors
 Tijeras de disección
 Ciseaux à dissection
 Forbici per dissezione



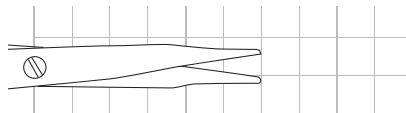
Art.Nr.	Beschreibung Description	Size	Spez.
---------	----------------------------	------	-------

REYNOLDS



010

010-210-15



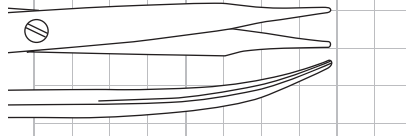
15,0cm; 6"

010-211-15



15,0cm; 6"

010-211-18



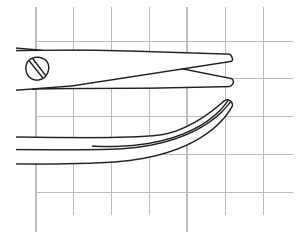
18,0cm; 7"

1/1 0 mm 20 mm 40 mm

010-212-11

CINELLI

11,5cm; 4 1/2"



1/1 0 mm 20 mm

Präparierscheren
Dissecting Scissors

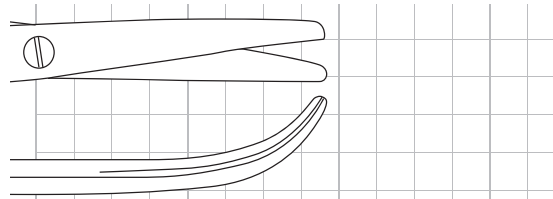
Tijeras de disección
Ciseaux à dissection
Forbici per dissezione

Art.Nr. Beschreibung | Description Size Spez.

THOREK

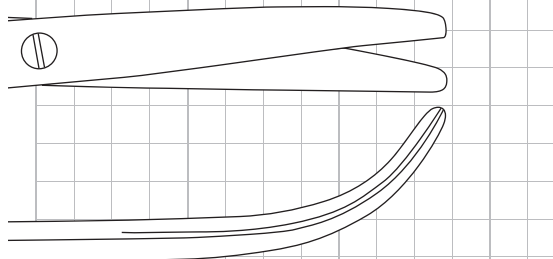


010-217-19



19,0cm; 7 1/2"

010-217-25



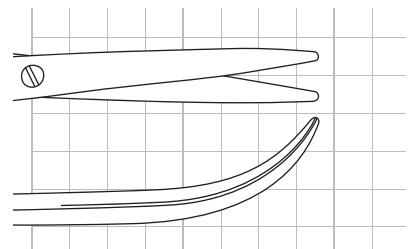
25,0cm; 10"

1/1 0 mm 20 mm 40 mm 60 mm

010-219-13

FOMON

13,5cm; 5 1/4"

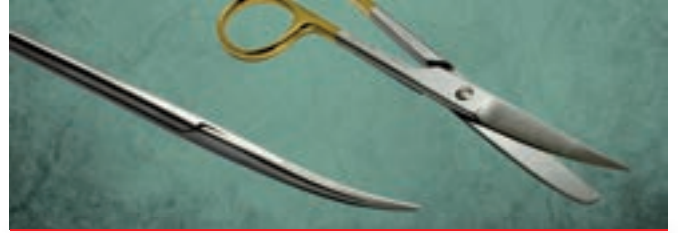


1/1 0 mm 20 mm 40 mm

010

Präparierscheren
Dissecting Scissors

Tijeras de disección
Ciseaux à dissection
Forbici per dissezione

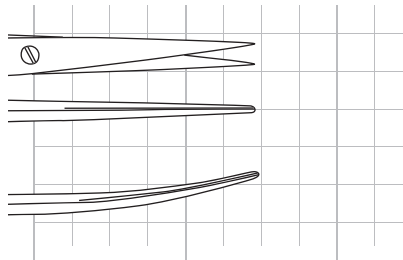


Art.Nr.	Beschreibung Description	Size	Spez.
---------	----------------------------	------	-------

	Nerv-Präparierscheren Nerve dissecting scissors Tijeras para disección de nervios Ciseaux pour nerfs Forbici per nervi	15,0cm; 6"	
--	---	------------	--



010-220-15



010-221-15

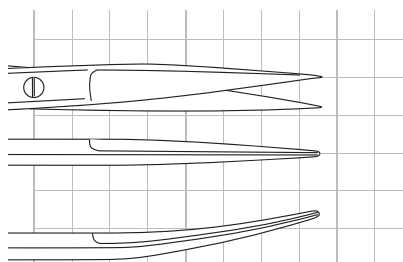
1/1 0 mm 20 mm 40 mm

SANVENERO

14,0cm; 5 1/2"



010-224-14



010-225-14

1/1 0 mm 20 mm 40 mm

Präparierscheren
Dissecting Scissors
 Tijeras de disección
 Ciseaux à dissection
 Forbici per dissezione

Art.Nr.	Beschreibung Description	Size	Spez.
---------	----------------------------	------	-------

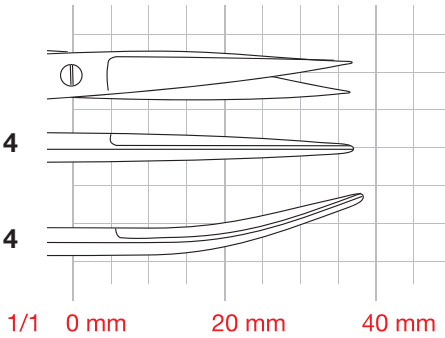
JOSEPH

14,0cm; 5 1/2"



010-228-14

010-229-14



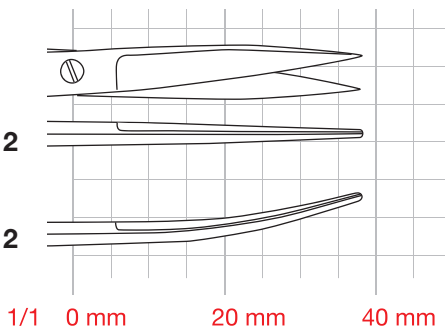
WAGNER

12,0cm; 4 3/4"



010-264-12

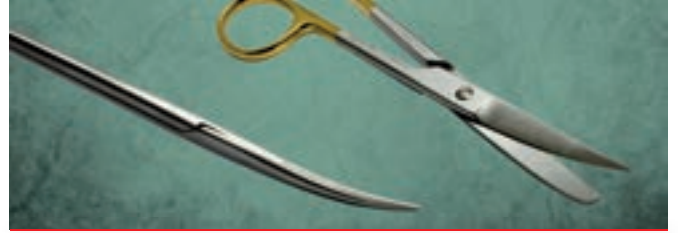
010-265-12



010

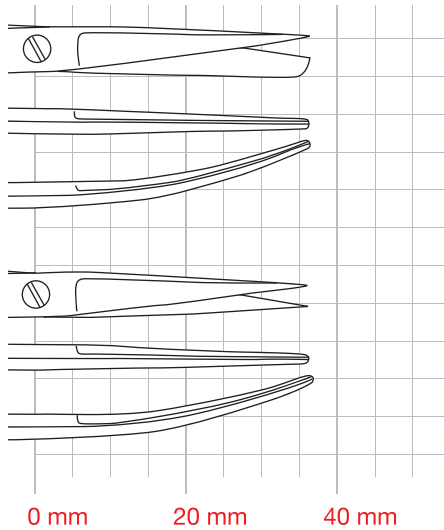
Chirurgische Scheren
Operating Scissors

Tijeras quirúrgicas
Ciseaux chirurgicaux
Forbici per chirurgia



Art.Nr. Beschreibung | Description Size Spez.

12,0cm; 4 3/4"



010-232-12

010-233-12

010-234-12

010-235-12

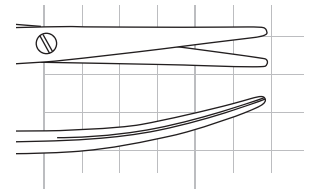
1/1 0 mm 20 mm 40 mm

010-239-11

Enucleationsschere | Enucleation scissors

Tijera para enucleación | Ciseaux à énucléation | Forbici per enucleazione

11,5cm; 4 1/2"



1/1 0 mm 20 mm

Irisscheren
Iris Scissors

Tijeras para iridectomía
Ciseaux à iridectomie
Forbici per iridectomia

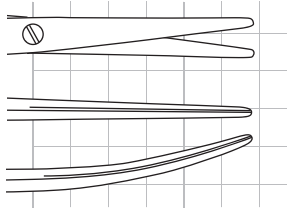
Art.Nr.	Beschreibung Description	Size	Spez.
---------	----------------------------	------	-------

STRABISMUS

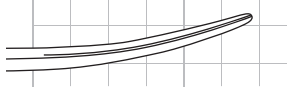
11,5cm; 4 1/2"



010-240-11



010-241-11

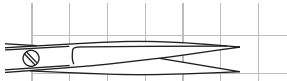


1/1 0 mm 20 mm

IRIS



010-244-09



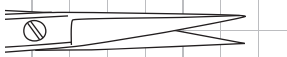
9,0cm; 3 1/2"

010-245-09



9,0cm; 3 1/2"

010-244-10



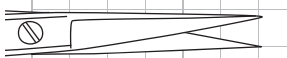
10,5cm; 4 1/8"

010-245-10



10,5cm; 4 1/8"

010-244-11



11,5cm; 4 1/2"

010-245-11

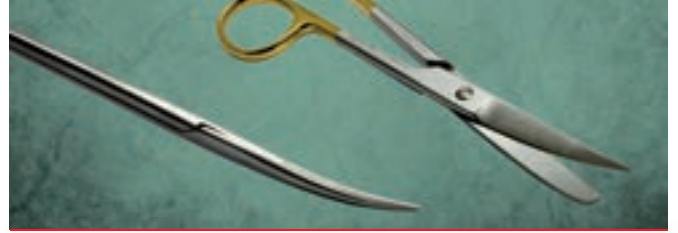


11,5cm; 4 1/2"

1/1 0 mm 20 mm

Irisscheren
Iris Scissors

Tijeras para iridectomía
Ciseaux à iridectomie
Forbici per iridectomia



Art.Nr. **Beschreibung | Description** **Size** **Spez.**

IRIS

fein | delicate | fino | fin | fino



010-250-10

10,5cm; 4 1/8"

010-251-10

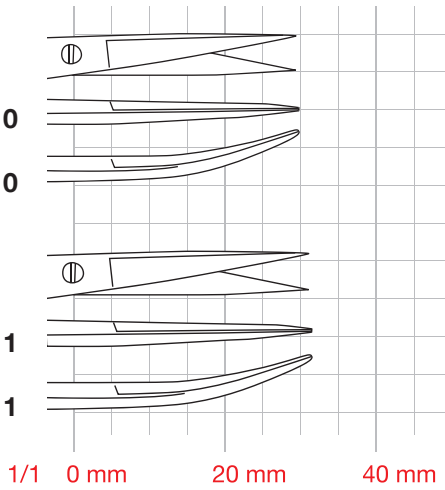
10,5cm; 4 1/8"

010-250-11

11,5cm; 4 1/2"

010-251-11

11,5cm; 4 1/2"

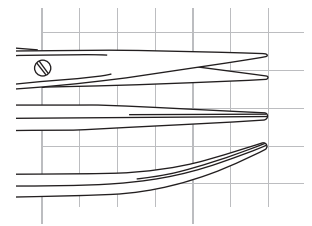


fein | delicate | fino | fin | fino

11,5cm; 4 1/2"

010-274-11

010-275-11

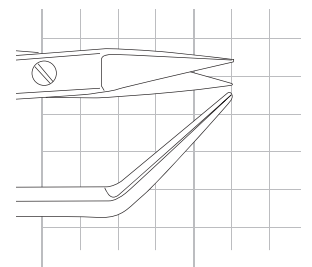


1/1 0 mm 20 mm

010-255-10

WILMER


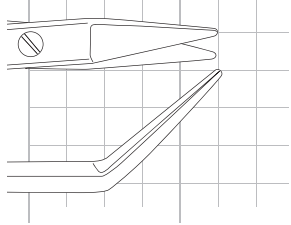

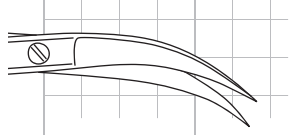

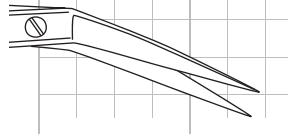
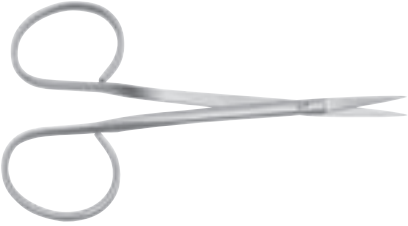
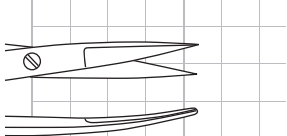
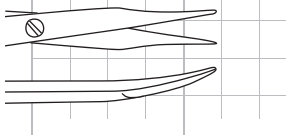
10,5cm; 4 1/8"



1/1 0 mm 20 mm

Irisscheren
Iris Scissors

Tijeras para iridectomía
Ciseaux à iridectomie
Forbici per iridectomia

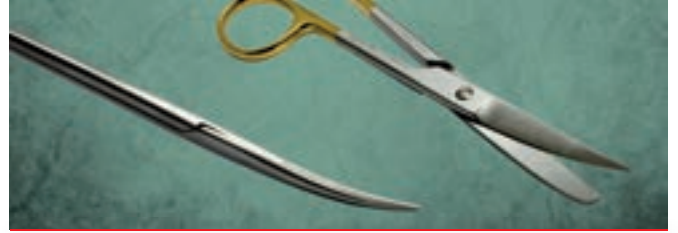
Art.Nr.	Beschreibung Description	Size	Spez.
010-253-10	GRAEFE 	10,5cm; 4 1/8" 	
010-261-11		11,5cm; 4 1/2" 	
010-263-11		11,5cm; 4 1/2" 	
	RIBBON 		
010-266-01		10,0cm; 4"	
010-268-03		9,5cm; 3 3/4"	

1/1 0 mm 20 mm

010

Irisscheren
Iris Scissors

Tijeras para iridectomía
Ciseaux à iridectomie
Forbici per iridectomia



Art.Nr.	Beschreibung Description	Size	Spez.
---------	----------------------------	------	-------

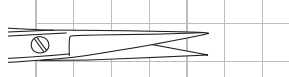
BONN

9,0cm; 3 1/2"

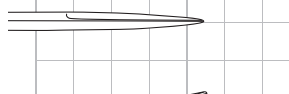
sehr fein | very delicate | muy fino | très fine | molto delicate



010-270-08



010-271-08



1/1 0 mm 20 mm

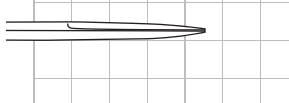
spitz | sharp | agudo | pointu | acuto



010-270-09



010-271-09



1/1 0 mm 20 mm

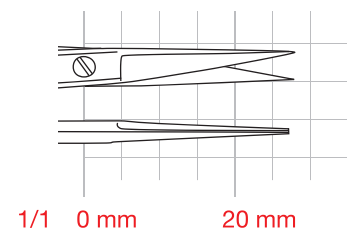
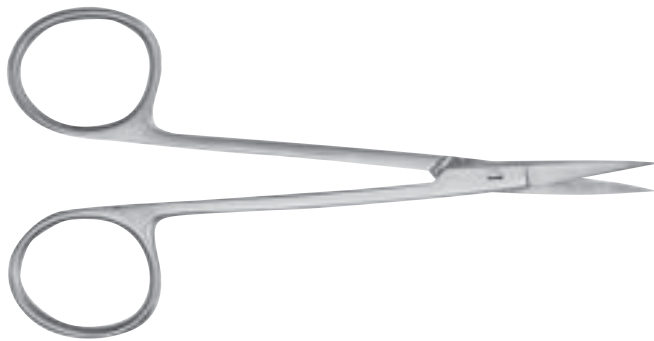
stumpf | blunt | romo | mousse | smusso

010

Irisscheren
Iris Scissors

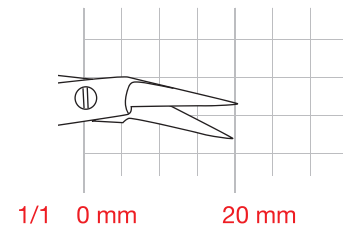
Tijeras para iridectomía
Ciseaux à iridectomie
Forbici per iridectomia

Art.Nr.	Beschreibung Description	Size	Spez.
010-272-10	extra flache Blätter extra flat blades con hojas muy plano lames extrêmement plat con lame molto piatte	10,0cm; 4"	



010

010-273-09	O'BRIEN	9,5cm; 3 3/4"	
------------	---------	---------------	--

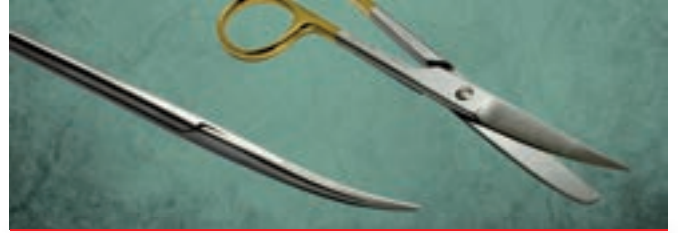


Length Conversions:

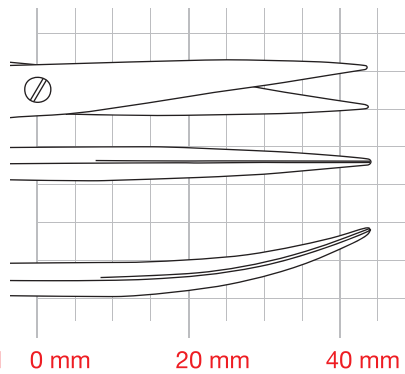
Multiply	By	To Obtain
Millimeters (mm)	0,1	Centimeters (cm)
Millimeters (mm)	0.03937	Inches (")
Centimeters (cm)	0.3937	Inches (")
Centimeters (cm)	10	Millimeters (mm)
Inches (")	25.4	Millimeters (mm)
Inches (")	2.540	Centimeters (cm)

Chirurgische Scheren
Operating Scissors

Tijeras quirúrgicas
Ciseaux chirurgicaux
Forbici per chirurgia



Art.Nr.	Beschreibung Description	Size	Spez.
	BROPHY (SULLIVAN)	14,0cm; 5 1/2"	

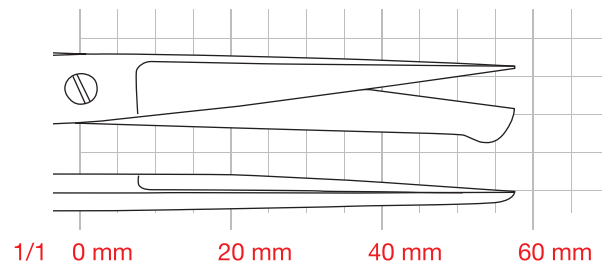


010-276-14

010-277-14

1/1 0 mm 20 mm 40 mm

010-300-14	Inzisionsschere Incision scissors Tijera para incisión Ciseaux à incision Forbici incisione	14,5cm; 5 3/4"	
-------------------	--	-----------------------	--

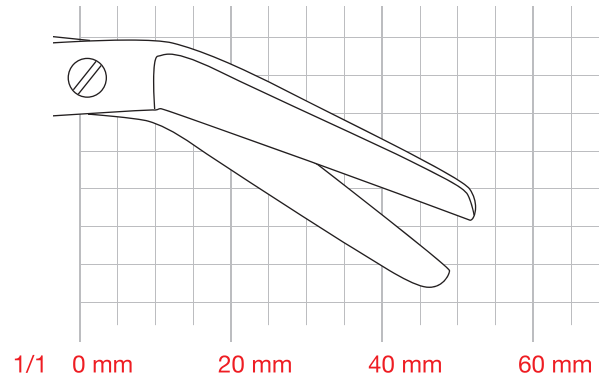


1/1 0 mm 20 mm 40 mm 60 mm

Chirurgische Scheren
Operating Scissors

Tijeras quirúrgicas
Ciseaux chirurgicaux
Forbici per chirurgia

Art.Nr.	Beschreibung Description	Size	Spez.
010-310-14	RICHTER	14,5cm; 5 3/4"	

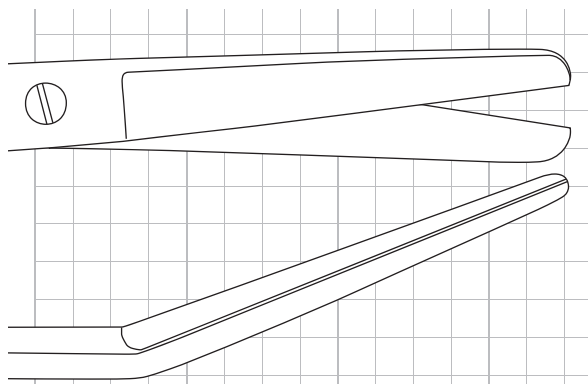


010

FERGUSSON



010-315-16



16,5cm; 6 1/2"

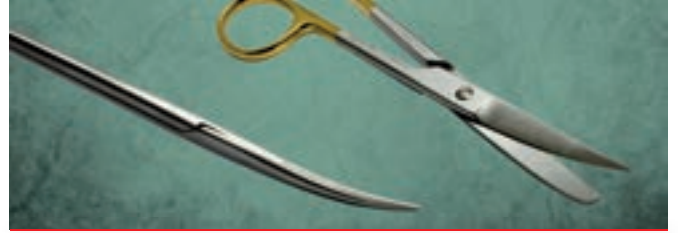
010-315-18

18,0cm; 7"

1/1 0 mm 20 mm 40 mm 60 mm

Chirurgische Scheren
Operating Scissors

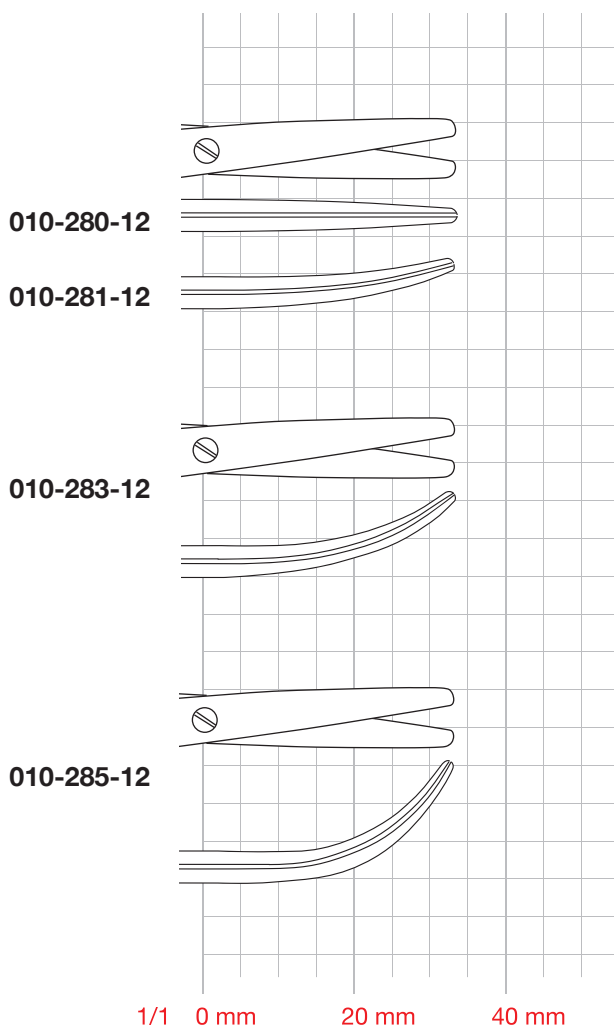
Tijeras quirúrgicas
Ciseaux chirurgicaux
Forbici per chirurgia



Art.Nr.	Beschreibung <i>Description</i>	Size	Spez.
	LANDOLT	12,5cm; 5"	



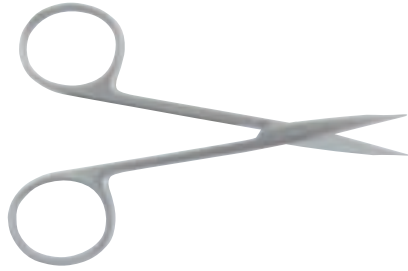
010



Sehnenscheren
Tendon Scissors
 Tijeras para tendones
 Ciseaux à ténotomie
 Forbici per tenotomia

Art.Nr.	Beschreibung Description	Size	Spez.
---------	----------------------------	------	-------

STEVENS

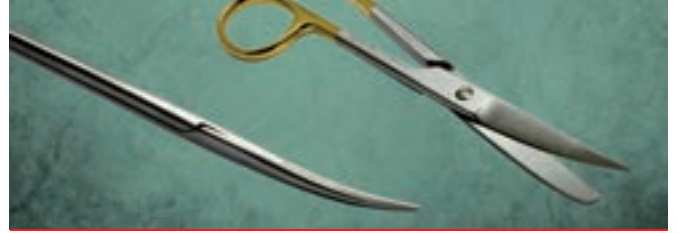


010-290-10		10,5cm; 4 1/8"
010-290-11		11,5cm; 4 1/2"
010-291-11		11,5cm; 4 1/2"
010-294-11		11,5cm; 4 1/2"
010-295-11		11,5cm; 4 1/2"

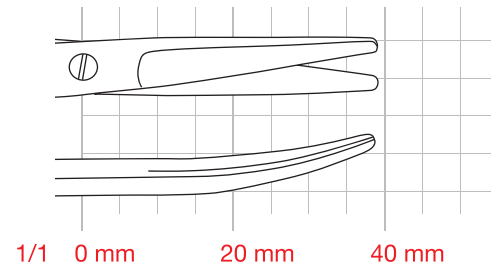
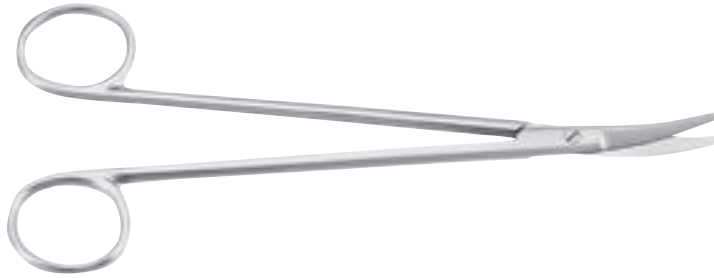
1/1 0 mm 20 mm

010

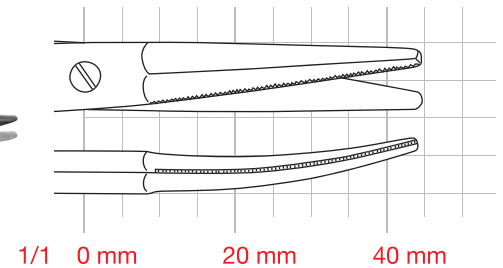
Präparierscheren; Face-lift Scheren
Dissecting Scissors; Face-lift Scissors
 Tijeras de disección; Tijeras para Face-lift
 Ciseaux à dissection; Ciseaux pour Face-lift
 Forbici per dissezione; Forbici per Face-lift



Art.Nr.	Beschreibung Description	Size	Spez.
010-325-18	TOENNIS	18,0cm; 7"	



010-327-18	KAYE	18,5cm; 7 1/4"	
------------	------	----------------	--



010

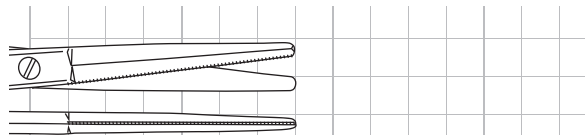
Präparierscheren; Face-lift Scheren
Dissecting Scissors; Face-lift Scissors
 Tijeras de disección; Tijeras para Face-lift
 Ciseaux à dissection; Ciseaux pour Face-lift
 Forbici per dissezione; Forbici per Face-lift

Art.Nr.	Beschreibung Description	Size	Spez.
---------	----------------------------	------	-------

GORNEY

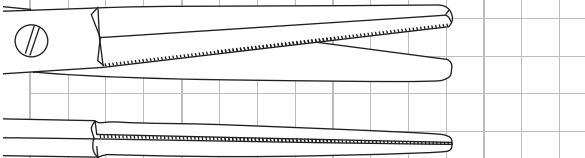


010-332-12



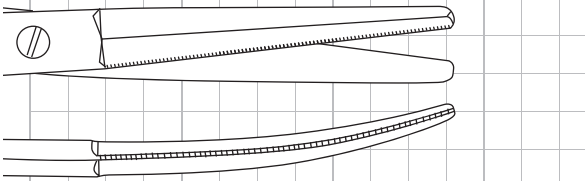
12,5cm; 5"

010-332-19



19,5cm; 7 3/4"

010-333-19



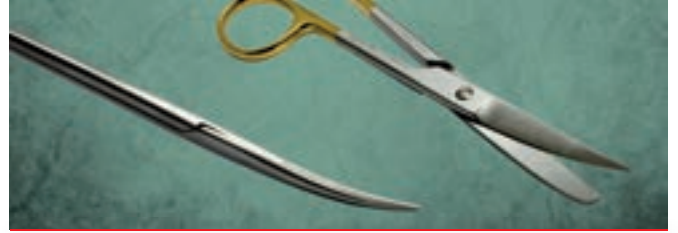
19,5cm; 7 3/4"

1/1 0 mm 20 mm 40 mm 60 mm

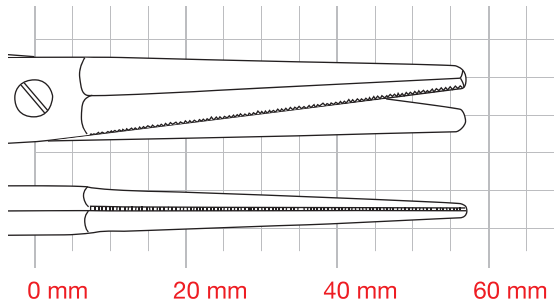
010

Präparierscheren; Face-lift Scheren
Dissecting Scissors; Face-lift Scissors

Tijeras de disección; Tijeras para Face-lift
 Ciseaux à dissection; Ciseaux pour Face-lift
 Forbici per dissezione; Forbici per Face-lift



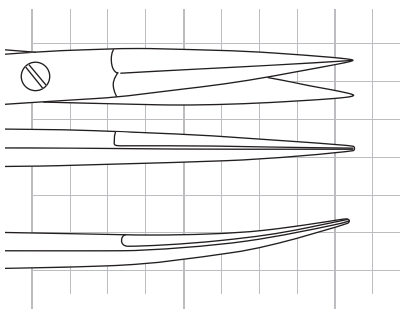
Art.Nr.	Beschreibung Description	Size	Spez.
010-336-17	ASTON	17,0cm; 6 3/4"	



1/1 0 mm 20 mm 40 mm 60 mm

PECK-JOSEPH

14,5cm; 5 3/4"



1/1 0 mm 20 mm 40 mm

010-206-14

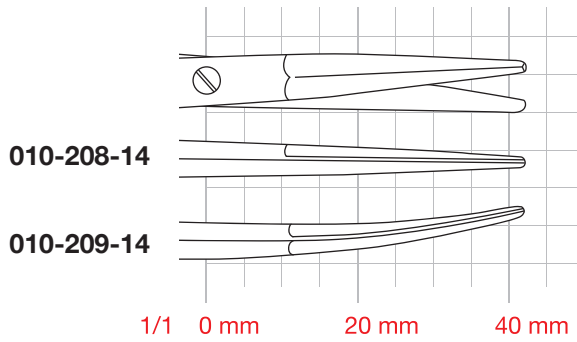
010-207-14

010

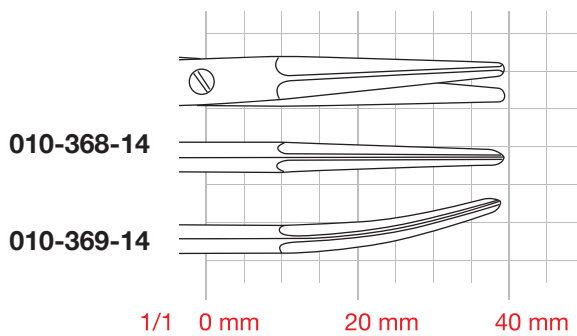
Präparierscheren; Face-lift Scheren
Dissecting Scissors; Face-lift Scissors

Tijeras de disección; Tijeras para Face-lift
 Ciseaux à dissection; Ciseaux pour Face-lift
 Forbici per dissezione; Forbici per Face-lift

Art.Nr.	Beschreibung Description	Size	Spez.
	PECK-JOSEPH	14,5cm; 5 3/4"	

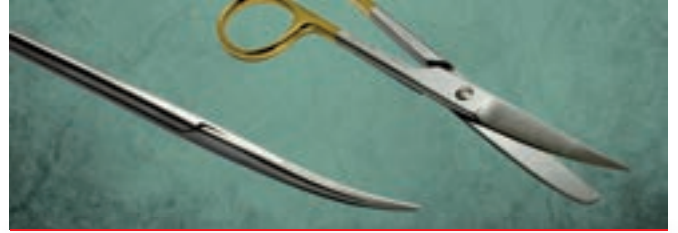


14,5cm; 5 3/4"



010

Ligaturscheren
Ligature Scissors
 Tijeras para ligaduras
 Ciseaux à ligatures
 Forbici per legature



Art.Nr.	Beschreibung Description	Size	Spez.
---------	----------------------------	------	-------

SPENCER



010-400-09		9,0cm; 3 1/2"
010-400-10		10,5cm; 4 1/8"
010-400-13		13,0cm; 5"

1/1 0 mm 20 mm 40 mm

010

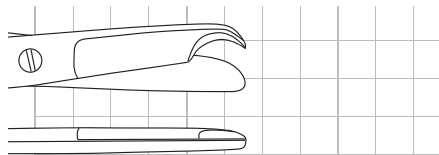
- Ligaturscheren
- **Ligature Scissors**
- Tijeras para ligaduras
- Ciseaux à ligatures
- Forbici per legature

Art.Nr.	Beschreibung <i>Description</i>	Size	Spez.
---------	-----------------------------------	------	-------

LITTAUER

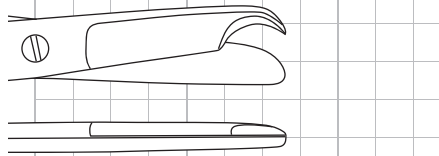


010-402-11



11,5cm; 4 1/2"

010-402-14



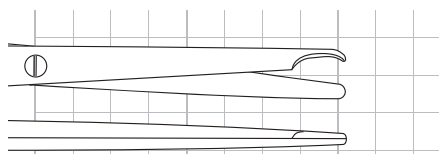
14,0cm; 5 1/2"

1/1 0 mm 20 mm 40 mm

BUCK

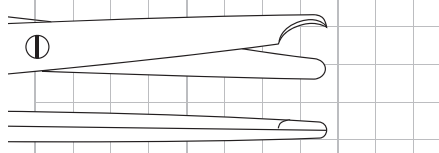


010-404-14



14,5cm; 5 3/4"

010-404-18



18,0cm; 7"

1/1 0 mm 20 mm 40 mm

010

Ligaturscheren
Ligature Scissors
 Tijeras para ligaduras
 Ciseaux à ligatures
 Forbici per legature

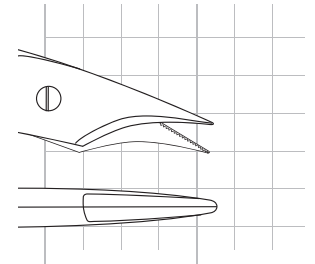


Art.Nr.	Beschreibung Description	Size	Spez.
---------	----------------------------	------	-------

010-408-16

HEATH

16,0cm; 6 1/4"

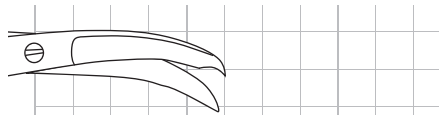


1/1 0 mm 20 mm

NORTHBENT

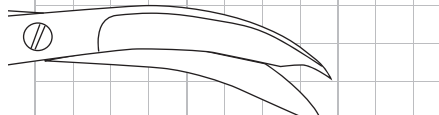


010-411-09



9,0cm; 3 1/2"

010-413-13



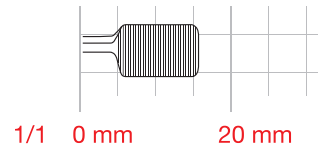
13,0cm; 5"

1/1 0 mm 20 mm 40 mm

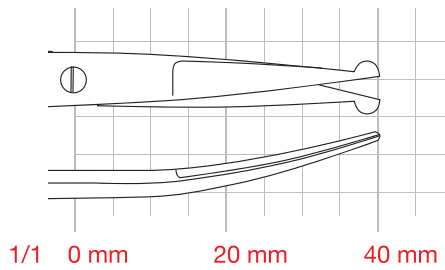
010

Ligaturscheren; Scheren für Neurochirurgie
Ligature Scissors; Neurosurgical Scissors
 Tijeras para ligaduras; Tijeras para neurocirugía
 Ciseaux à ligatures; Ciseaux pour la neuro-chirurgie
 Forbici per legature; Forbici per neurochirurgia

Art.Nr.	Beschreibung Description	Size	Spez.
010-415-12	EISELSBERG	12,0cm; 4 3/4"	



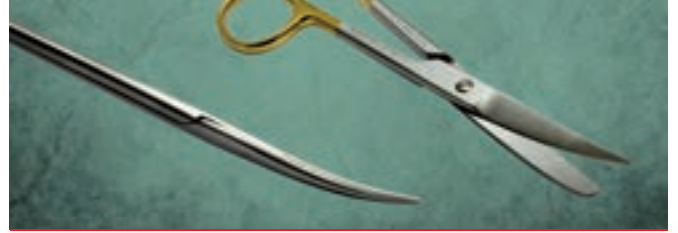
010-450-22	STRULLY	22,0cm; 8 3/4"	
------------	---------	----------------	--



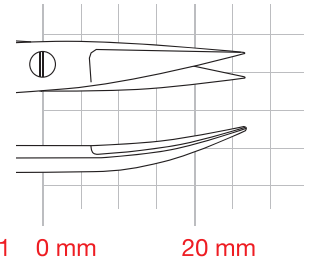
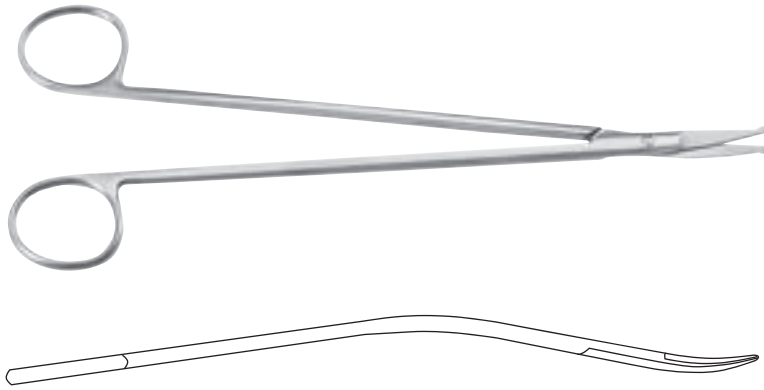
010

Scheren für Neurochirurgie
Neurosurgical Scissors

Tijeras para neurocirugía
Ciseaux pour la neuro-chirurgie
Forbici per neurochirurgia

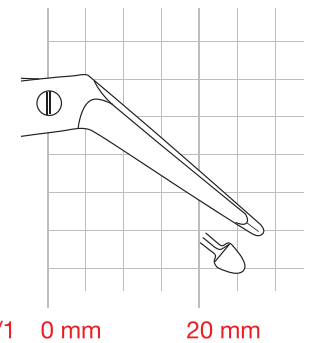


Art.Nr.	Beschreibung Description	Size	Spez.
010-453-17	DANDY	17,0cm; 6 3/4"	



010-457-17	SCHMIEDEN-TAYLOR
------------	------------------

17,0cm; 6 3/4"

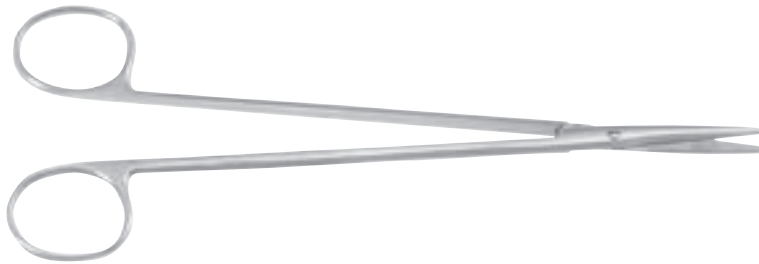


010

Scheren für Neurochirurgie
Neurosurgical Scissors

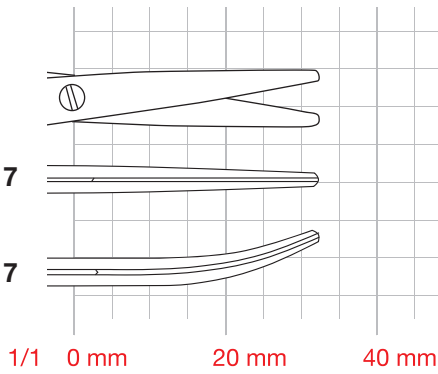
Tijeras para neurocirugía
Ciseaux pour la neuro-chirurgie
Forbici per neurochirurgia

Art.Nr.	Beschreibung Description	Size	Spez.
	LINCOLN	17,0cm; 6 3/4"	



010-458-17

010-459-17

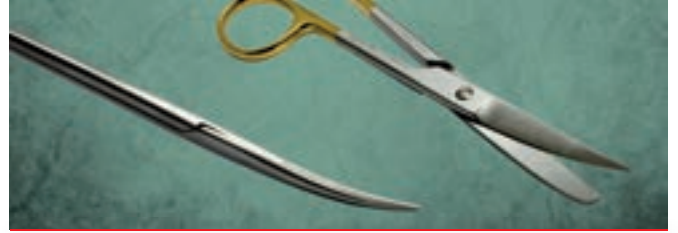


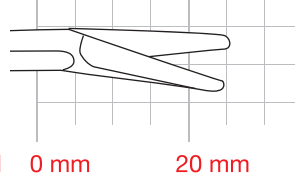
For repair service like re-sharpening, please contact a qualified and released Tontarra Repair Partner or our customer service for further information.



Scheren für Neurochirurgie
Neurosurgical Scissors

Tijeras para neurocirugía
Ciseaux pour la neuro-chirurgie
Forbici per neurochirurgia



Art.Nr.	Beschreibung Description	Size	Spez.
010-469-23	OLIVECRONA Trigeminus-Schere (auch für Nase) Arbeitslänge: 140 mm; 5 1/2" Trigeminal Scissors (also nasal) working length: 140 mm; 5 1/2" Tijera para nervio trigémino (también para la nariz) longitud útil: 140 mm; 5 1/2" Ciseaux pour le nerf trigéminal (également pour le nez) longeur de tige: 140 mm; 5 1/2" Forbici per nervo trigemino (anche nasale) lunghezza operativa: 140 mm; 5 1/2"	23,0cm; 9"	

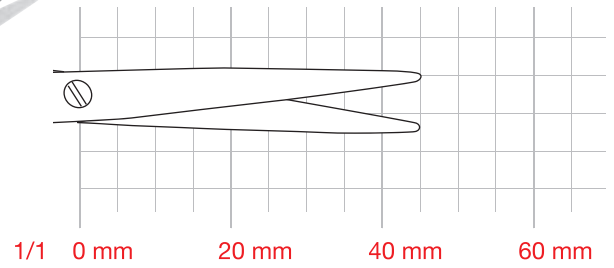


010

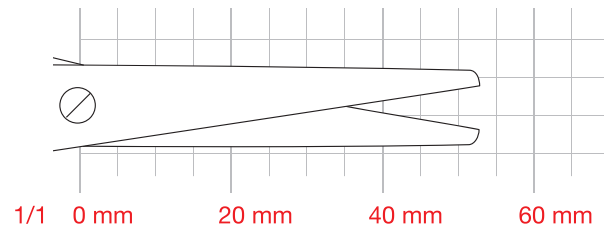
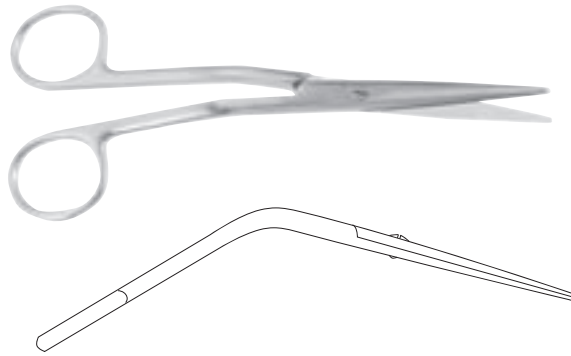
Nasenscheren
Nasal Scissors

Tijeras nasales
Ciseaux nasaux
Forbici nasali

Art.Nr.	Beschreibung Description	Size	Spez.
010-501-18	HEYMANN	18,0cm; 7"	



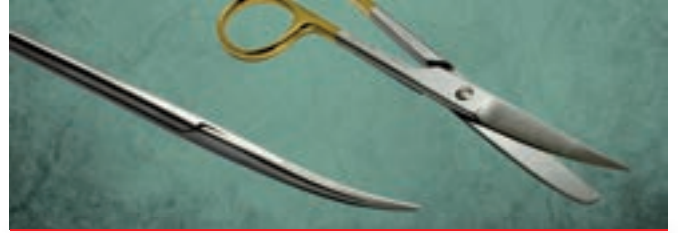
010-511-16	COTTLE	16,0cm; 6 1/4"	
------------	--------	----------------	--



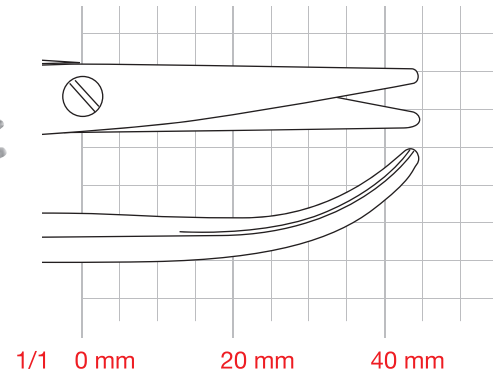
010

Nasenscheren
Nasal Scissors

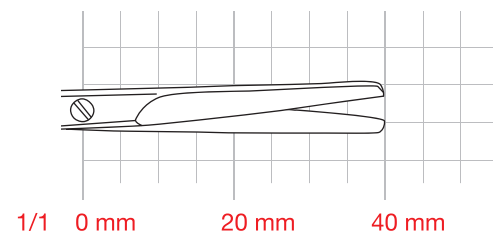
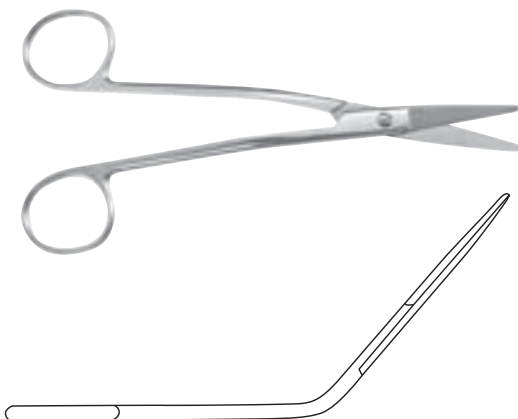
Tijeras nasales
Ciseaux nasaux
Forbici nasali



Art.Nr.	Beschreibung Description	Size	Spez.
010-341-19	HALLE	19,0cm; 7 1/2"	



010-343-15	FOMON	14,0cm; 5 1/2"	
------------	-------	----------------	--



010

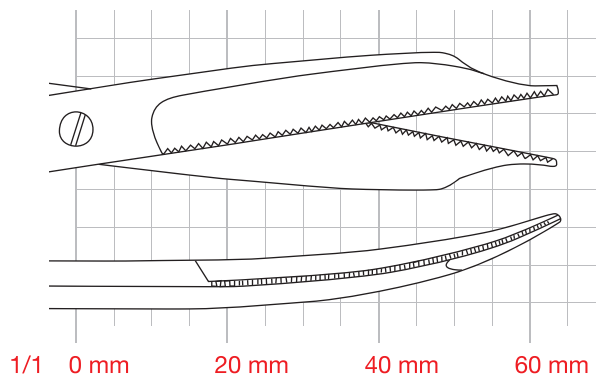
Nasenscheren
Nasal Scissors

Tijeras nasales
Ciseaux nasaux
Forbici nasali

Art.Nr.	Beschreibung Description	Size	Spez.
010-519-22	CAPLAN	20,0cm; 8"	

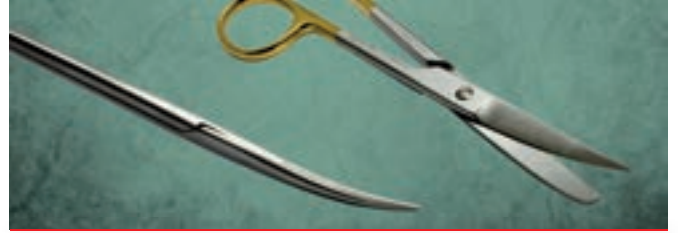


010-528-20	CARTILAGE Tonsillenscherer Tonsil Scissors Tijeras para amígdalas Ciseaux pour les amygdales Forbici per tonsille	20,0cm; 8"	
------------	--	------------	---



010

Tonsillenscheren
Tonsil Scissors
 Tijeras para amígdalas
 Ciseaux pour les amygdales
 Forbici per tonsille

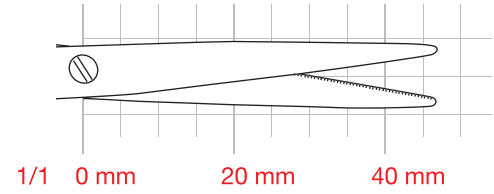


Art.Nr.	Beschreibung Description	Size	Spez.
---------	----------------------------	------	-------

010-517-18

KIRSTEIN

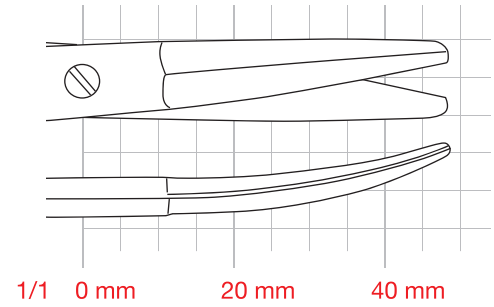
18,0cm; 7"



010-521-18

BOETTCHER

18,0cm; 7"



010

Tonsillenscheren

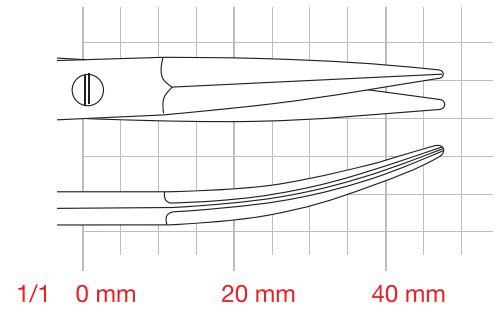
Tonsil Scissors

Tijeras para amígdalas

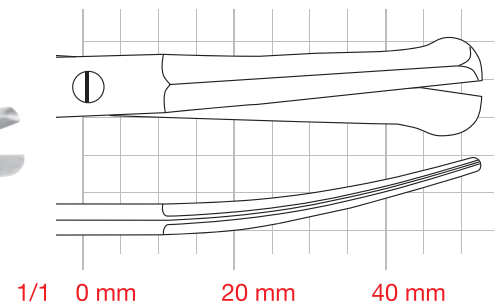
Ciseaux pour les amygdales

Forbici per tonsille

Art.Nr.	Beschreibung Description	Size	Spez.
010-523-17	PRINCE	17,5cm; 7"	



010-525-19	GOOD	19,0cm; 7 1/2"	
------------	------	----------------	--



Gefäßscheren
Vascular Scissors

Tijeras vasculares
Ciseaux vasculaires
Forbici vasco



Art.Nr. Beschreibung | Description Size Spez.

DE BAKEY



17,0cm; 6 3/4"

23,0cm; 9"

28,0cm; 11"

25°

010-540-25

010-543-25

010-544-25

45°

010-540-45

010-543-45

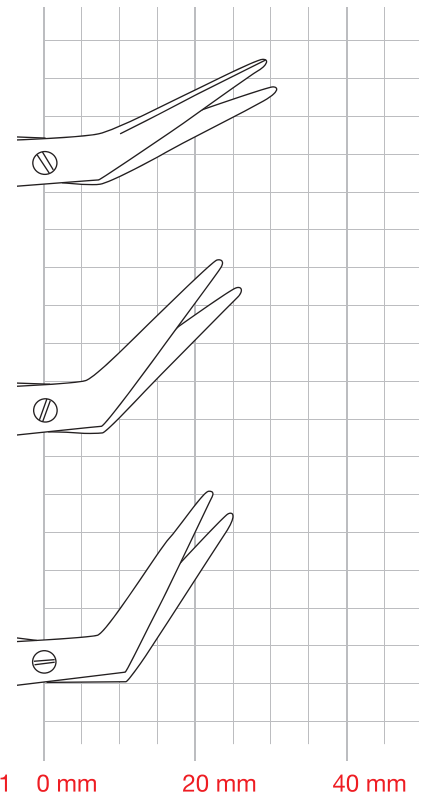
010-544-45

60°

010-540-60

010-543-60

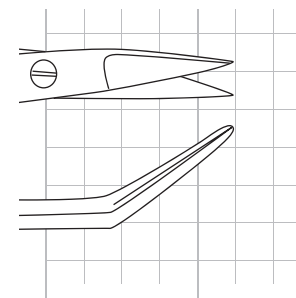
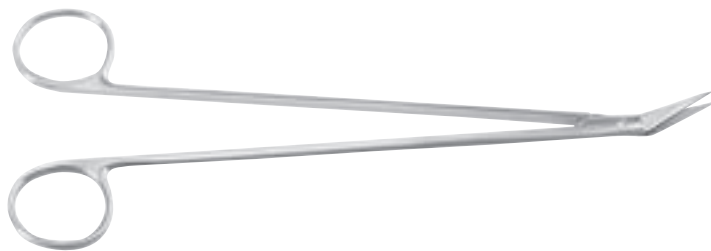
010-544-60



010

Gefäßscheren
Vascular Scissors
 Tijeras vasculares
 Ciseaux vasculaires
 Forbici vasco

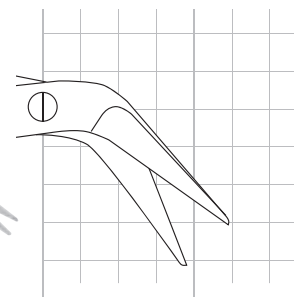
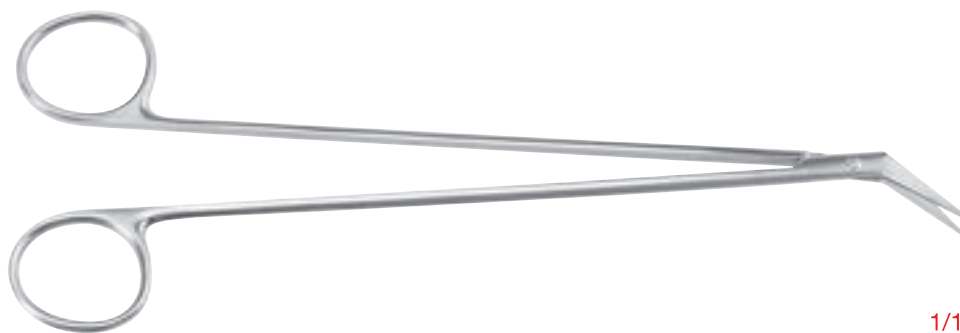
Art.Nr.	Beschreibung Description	Size	Spez.
010-547-18	POTTS-SMITH	18,0cm; 7"	



1/1 0 mm 20 mm

010

010-548-24	POTTS-DE MARTEL	24,0cm; 9 1/2"	
------------	-----------------	----------------	--



1/1 0 mm 20 mm

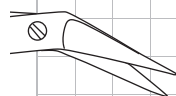
Gefäßscheren
Vascular Scissors
 Tijeras vasculares
 Ciseaux vasculaires
 Forbici vasco



Art.Nr.	Beschreibung Description	Size	Spez.
	DIETHRICH	19,0cm; 7 1/2"	

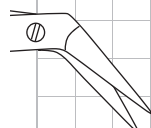


010-550-25



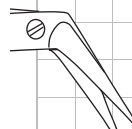
25°

010-550-45



45°

010-550-60



60°

010-550-90



90°

010-550-12



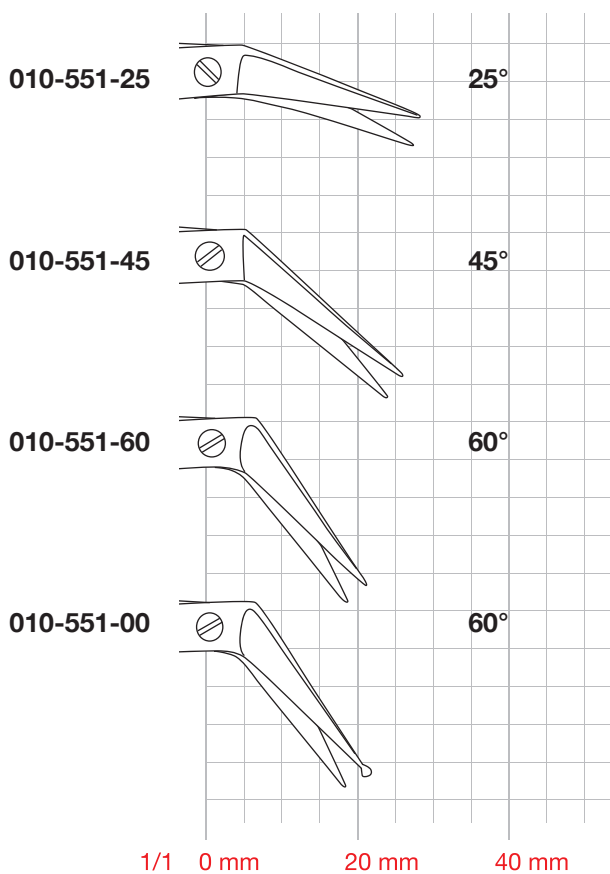
120°

1/1 0 mm 20 mm

010

Gefäßscheren
Vascular Scissors
 Tijeras vasculares
 Ciseaux vasculaires
 Forbici vasco

Art.Nr.	Beschreibung Description	Size	Spez.
	POTTS-SMITH	19,0cm; 7 1/2"	



1 Blatt geknöpft
1 probe-pointed blade
 1 hoja abotonada
 1 lame boutonnée
 1 lama con punta a bottone

010

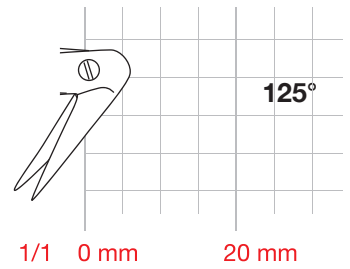
Gefäßscheren
Vascular Scissors

Tijeras vasculares
Ciseaux vasculaires
Forbici vasco

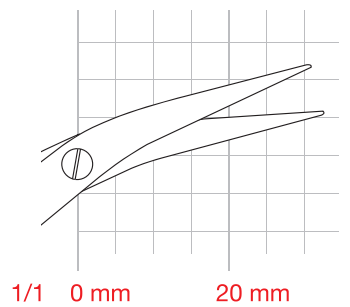


Art.Nr.	Beschreibung <i>Description</i>	Size	Spez.
010-552-12	DIETRICH	19,0cm; 7 1/2"	

mit Führung | with guiding | con guía | avec guidage | con guid



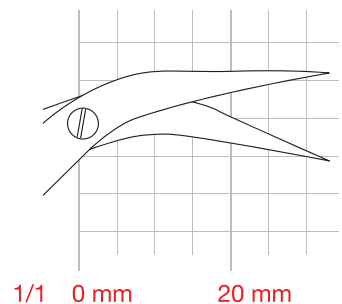
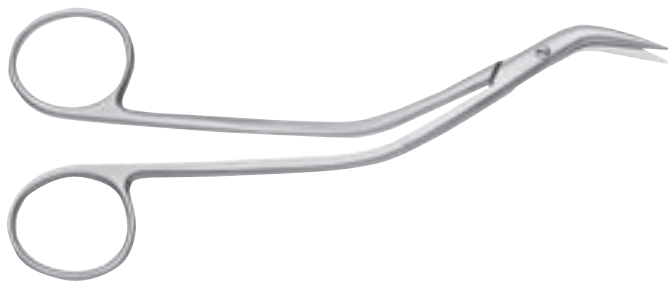
010-560-15	DE BAKEY	15,5cm; 6"	
------------	-----------------	------------	--



010

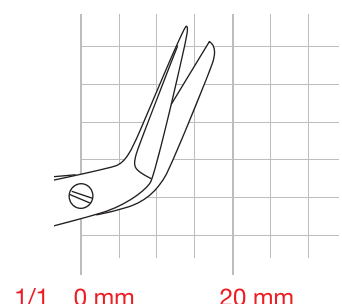
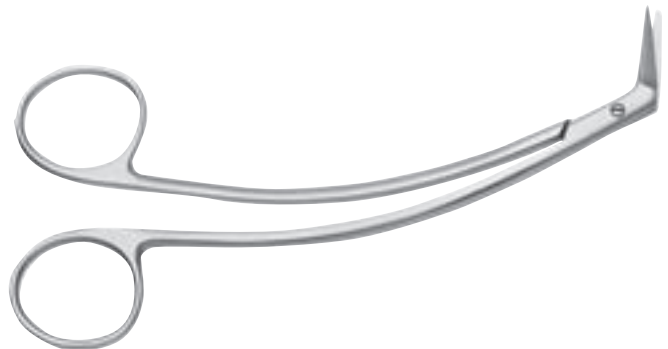
Gefäßscheren
Vascular Scissors
 Tijeras vasculares
 Ciseaux vasculaires
 Forbici vasco

Art.Nr.	Beschreibung Description	Size	Spez.
010-561-15	DE BAKEY	15,5cm; 6"	



1/1 0 mm 20 mm

010-562-15	FAVALORO	15,5cm; 6"	
------------	----------	------------	--



1/1 0 mm 20 mm

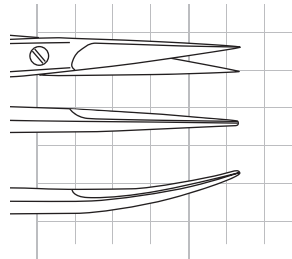
010

Gefäßscheren
Vascular Scissors
 Tijeras vasculares
 Ciseaux vasculaires
 Forbici vasco



Art.Nr.	Beschreibung Description	Size	Spez.
---------	----------------------------	------	-------

19,0cm; 7 1/2"



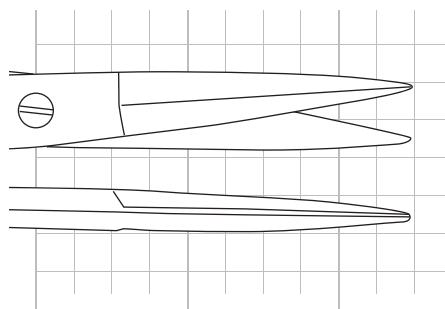
010-566-19

010-567-19

1/1 0 mm 20 mm

010-570-19 MC INDOE

19,0cm; 7 1/2"

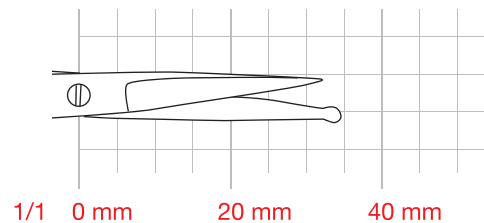
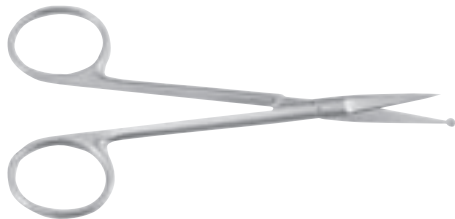


1/1 0 mm 20 mm 40 mm

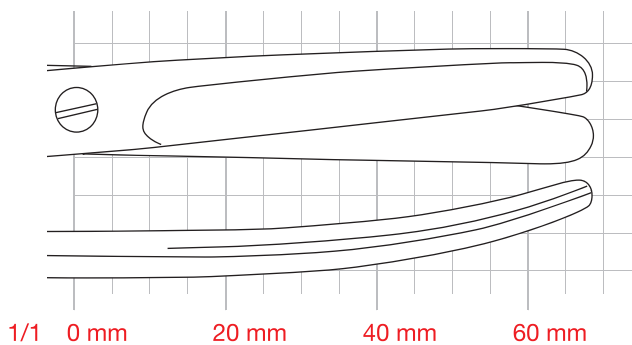
010

Gefäßscheren
Vascular Scissors
 Tijeras vasculares
 Ciseaux vasculaires
 Forbici vasco

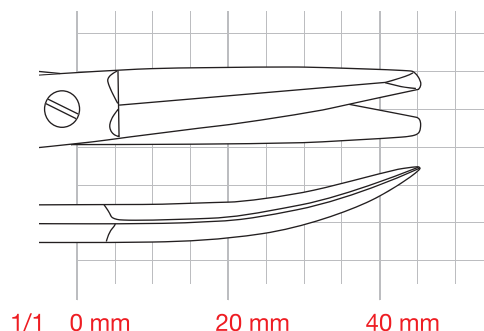
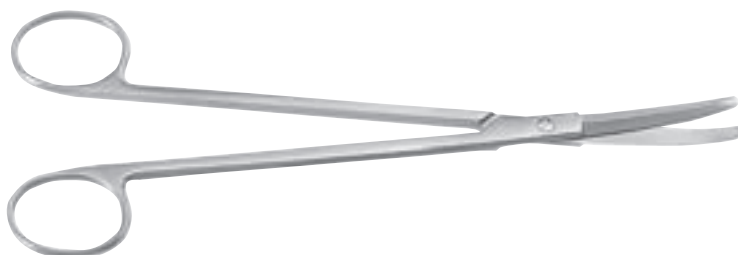
Art.Nr.	Beschreibung Description	Size	Spez.
010-572-11	1 Blatt geknöpft 1 probe-pointed blade 1 hoja abotonada 1 lame boutonnée 1 lama con punta a bottone	11,5cm; 4 1/2"	



010-575-30	CRAFOORD	30,0cm; 12"	
------------	----------	-------------	--

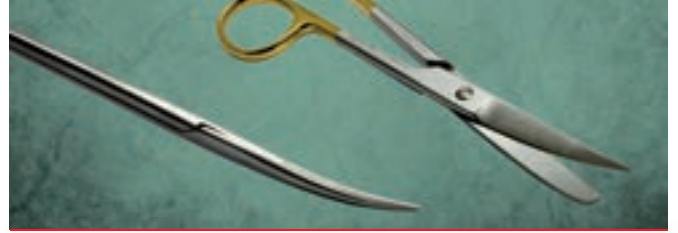


010-691-19	POTTS-SMITH	19,0cm; 7 1/2"	
------------	-------------	----------------	--

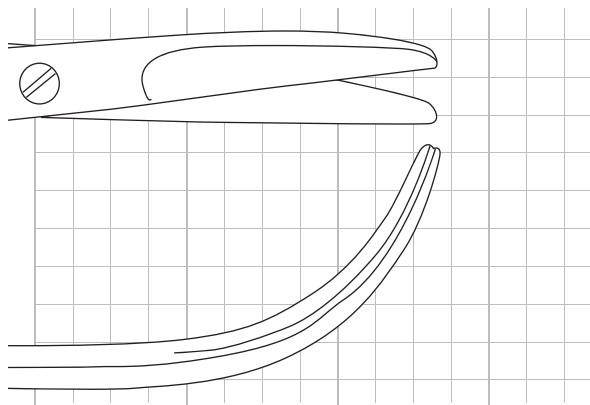
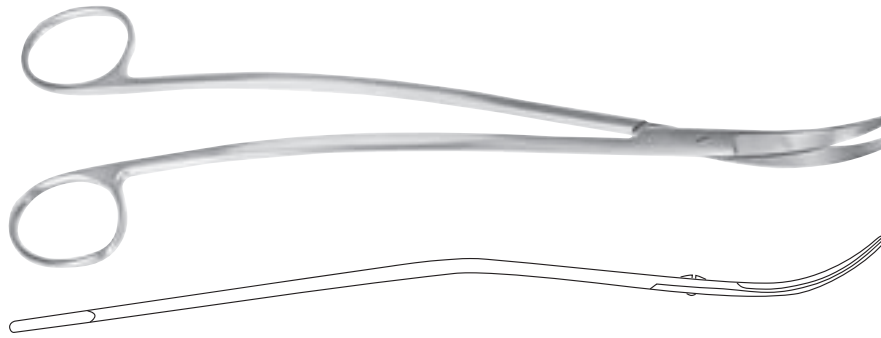


Gefäßscheren
Vascular Scissors

Tijeras vasculares
Ciseaux vasculaires
Forbici vasco

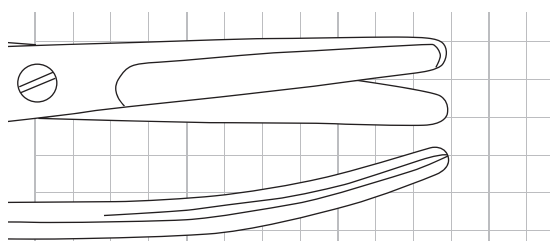
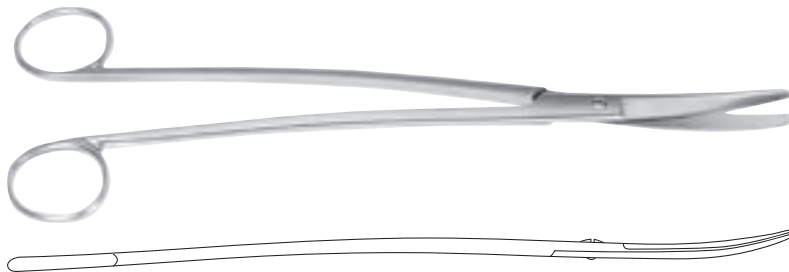


Art.Nr.	Beschreibung Description	Size	Spez.
010-577-24	SATINSKY	24,5cm; 9 2/3"	



1/1 0 mm 20 mm 40 mm 60 mm

010-579-23	KLINGENBERG-LOTH	23,0cm; 9"	
------------	------------------	------------	--



1/1 0 mm 20 mm 40 mm 60 mm

010

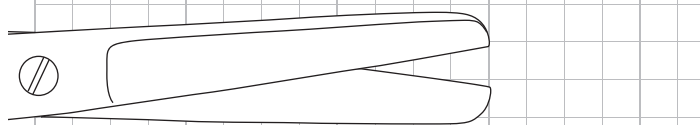
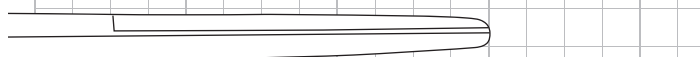


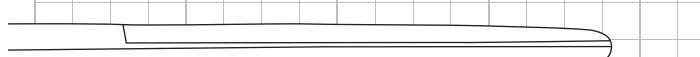
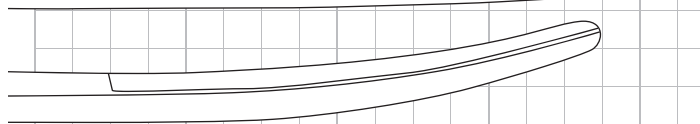
Gynäkologische Scheren
Gynecological Scissors

Tijeras para ginecología
 Ciseaux à gynécologie
 Forbici per ginecologia

Art.Nr. Beschreibung | Description Size Spez.

SIMS

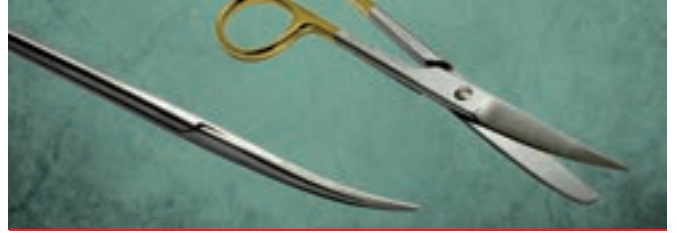


		
010-600-20		20,0cm; 8"
010-601-20		20,0cm; 8"
		
010-600-23		23,0cm; 9"
010-601-23		23,0cm; 9"
	1/1 0 mm 20 mm 40 mm 60 mm 80 mm	

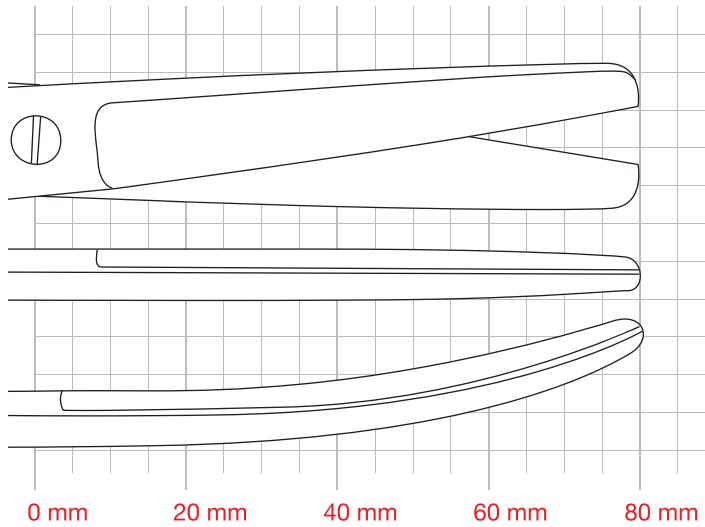
010

Gynäkologische Scheren
Gynecological Scissors

Tijeras para ginecología
 Ciseaux à gynécologie
 Forbici per ginecologia



Art.Nr.	Beschreibung Description	Size	Spez.
	DOYEN	18,5cm; 7 1/4"	

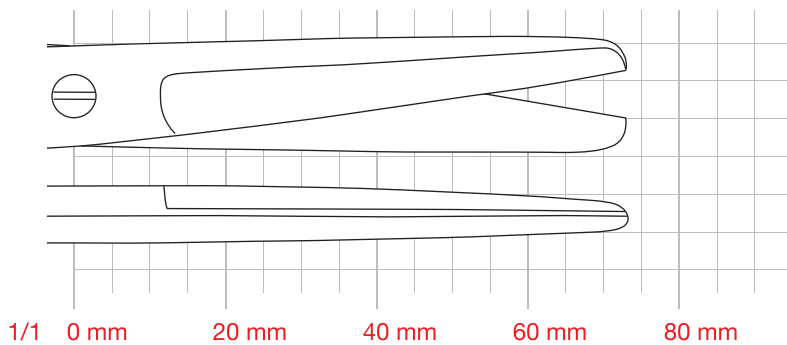


010

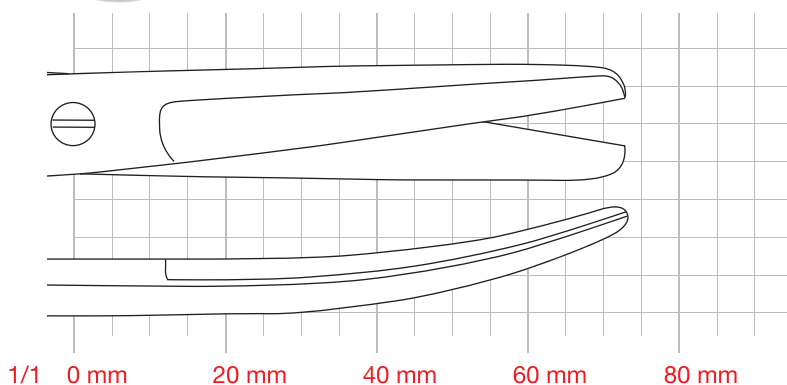
Gynäkologische Scheren
Gynecological Scissors

Tijeras para ginecología
Ciseaux à gynécologie
Forbici per ginecologia

Art.Nr.	Beschreibung Description	Size	Spez.
010-618-24	SIMS-SIEBOLD	24,5cm; 9 3/4"	



010-620-24	SIMS-SIEBOLD	24,5cm; 9 3/4"	
------------	--------------	----------------	--



010

Gynäkologische Scheren; Chirurgische Scheren
Gynecological Scissors; Operating Scissors

Tijeras para ginecología; Tijeras quirúrgicas
 Ciseaux à gynécologie; Ciseaux chirurgicaux
 Forbici per ginecologia; Forbici per chirurgia



Art.Nr.	Beschreibung Description	Size	Spez.
---------	----------------------------	------	-------

KELLY

Fistelscheren | Fistula Scissors | Tijeras para fistulas | Ciseaux pour es fistules | Forbici per fistole



010-634-16

16,0cm; 6 1/4"

010-635-16

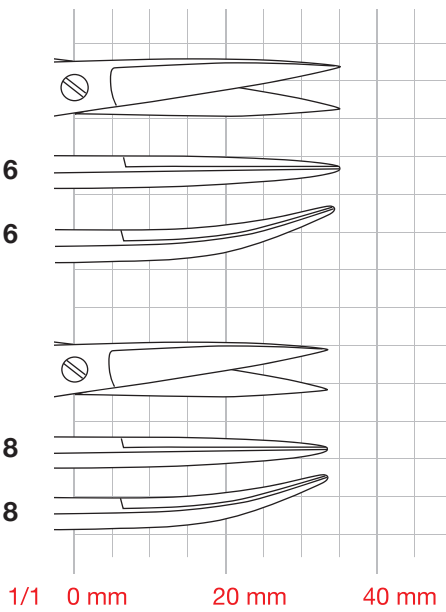
16,0cm; 6 1/4"

010-634-18

18,0cm; 7"

010-635-18

18,0cm; 7"



010

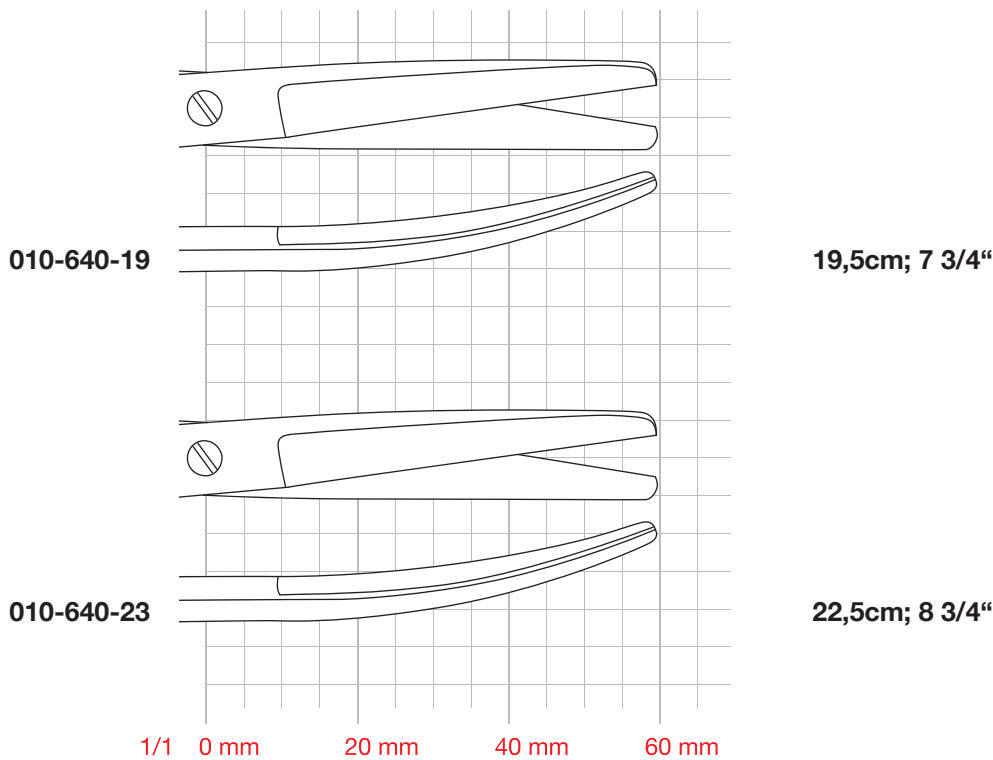
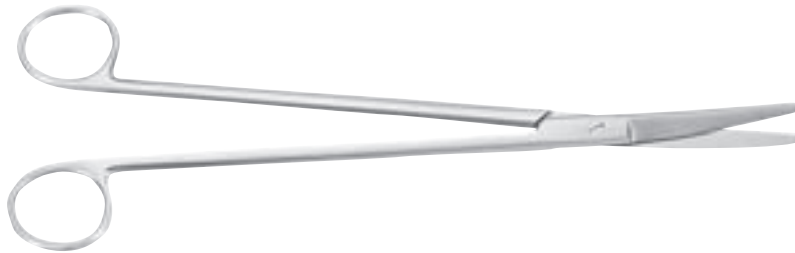
Gynäkologische Scheren
Gynecological Scissors

Tijeras para ginecología
 Ciseaux à gynécologie
 Forbici per ginecologia

Art.Nr.	Beschreibung Description	Size	Spez.
---------	----------------------------	------	-------

WERTHEIM

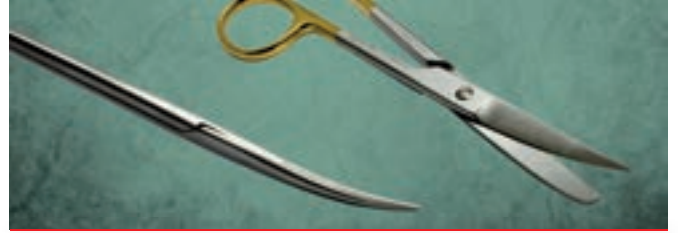
Uterusscheren | Uterine Scissors | Tijeras uterinas | Ciseaux utérins | Forbici da utero



010

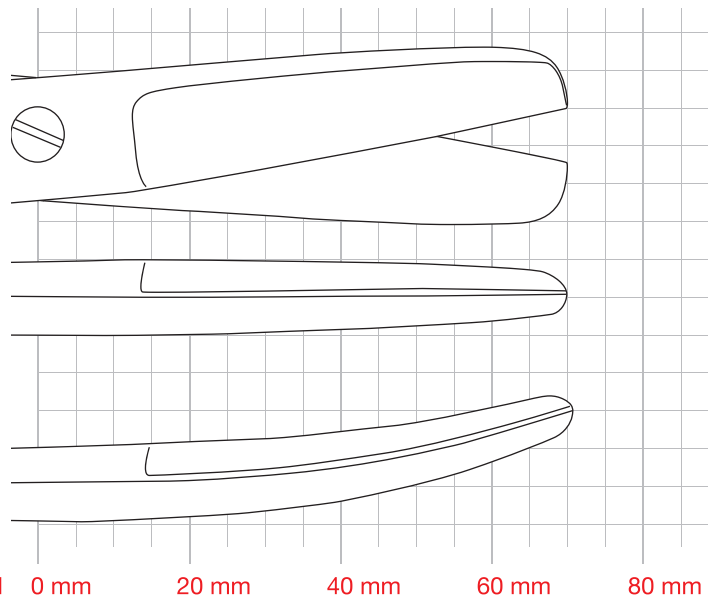
Gynäkologische Scheren
Gynecological Scissors

Tijeras para ginecología
Ciseaux à gynécologie
Forbici per ginecologia



Art.Nr.	Beschreibung Description	Size	Spez.
	DUBOIS	27,0cm; 10 3/4"	

Kephalotomiescheren | Decapitating Scissors
Tijeras para decapitación | Ciseaux à détroncation | Forbici per decapitazione

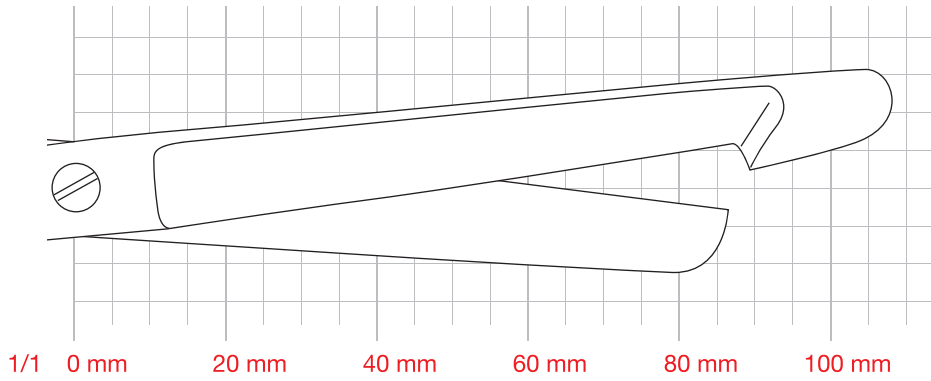


010

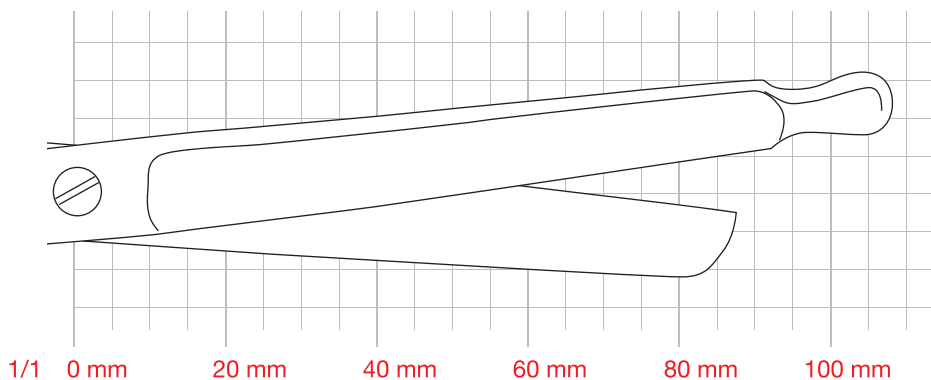
Darmscheren
Enterotomy Scissors

Tijeras para intestino
Ciseaux entérotomes
Forbici intestinale

Art.Nr.	Beschreibung Description	Size	Spez.
010-672-21		21,0cm; 8 1/4"	



010-674-21		21,0cm; 8 1/4"	
------------	--	----------------	--



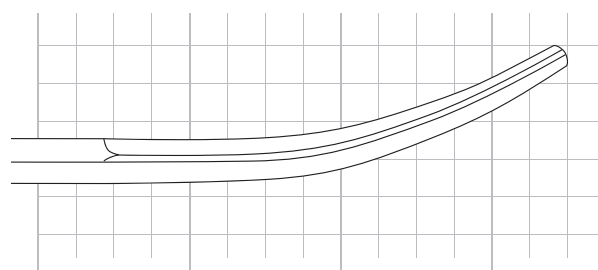
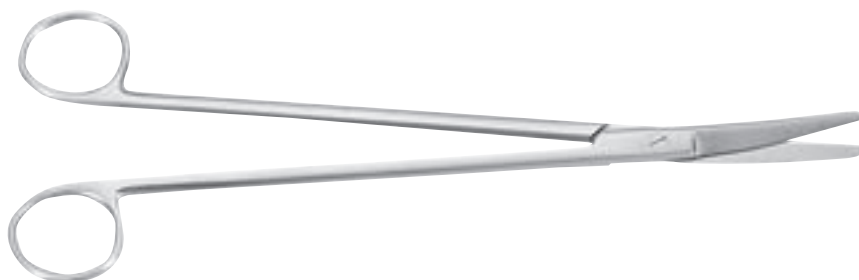
010

Darmscheren
Enterotomy Scissors

Tijeras para intestino
Ciseaux entérotomes
Forbici intestinale



Art.Nr.	Beschreibung Description	Size	Spez.
010-677-27	LLOYD-DAVIES	27,0cm; 10 3/4"	



1/1 0 mm 20 mm 40 mm 60 mm

010



Lungenlappen- und Rektumscheren

Lobectomy and Rectal Scissors

Tijeras para lobectomía y para el recto

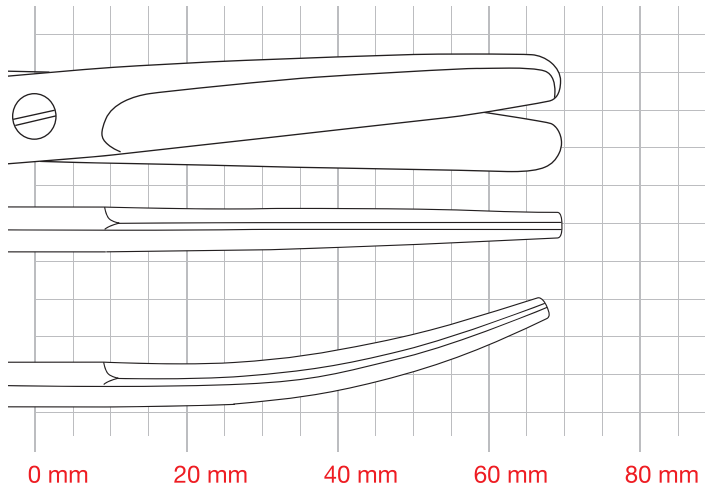
Ciseaux à lobectomie et pour le rectum

Forbici per lobo polmonare e per il retto

Art.Nr.	Beschreibung Description	Size	Spez.
---------	----------------------------	------	-------

STELZNER

31,0cm; 12 1/4"



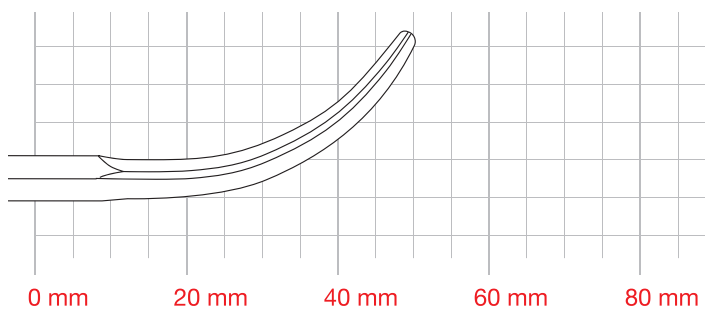
010-680-31

010-681-31

Art.Nr.	Beschreibung Description	Size	Spez.
010-685-32	RECTAL	32,5cm; 12 3/4"	

RECTAL

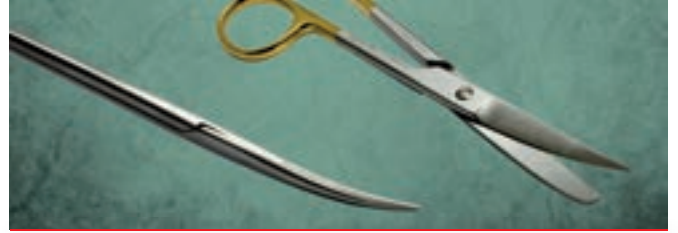
32,5cm; 12 3/4"



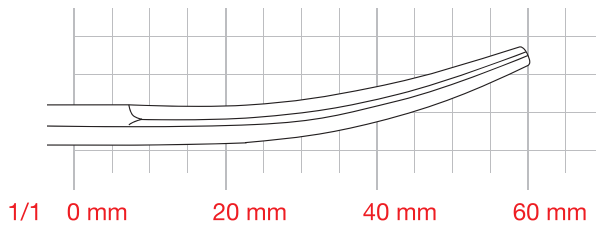
1/1 0 mm 20 mm 40 mm 60 mm 80 mm

Lungenlappen- und Rektumscheren
Lobectomy and Rectal Scissors

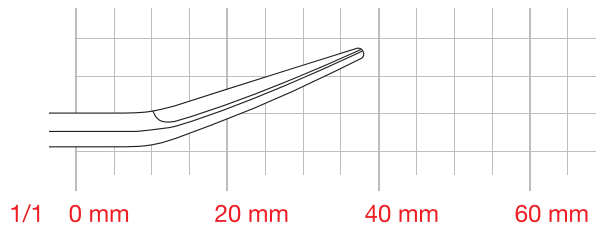
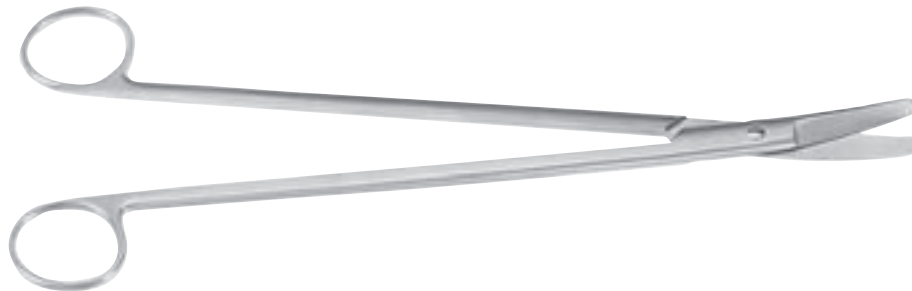
Tijeras para lobectomía y para el recto
Ciseaux à lobectomie et pour le rectum
Forbici per lobo polmonare e per il retto



Art.Nr.	Beschreibung Description	Size	Spez.
010-689-28	WILLAUER	28,0cm; 11"	



010-693-27	FINOCHIETTO	27,0cm; 10 3/4"	
------------	-------------	-----------------	--

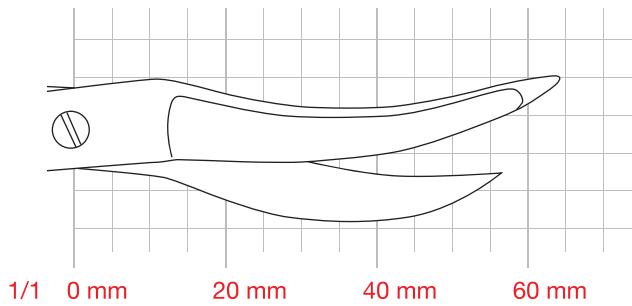


010

Dammscheren (Episiotomie)
Perineum Scissors (Episiotomy)

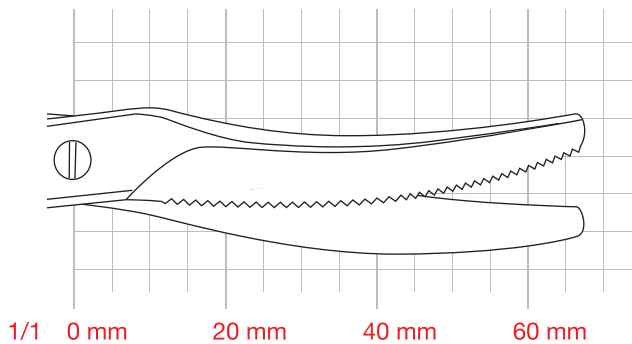
Tijeras para perineo (episiotomía)
Ciseaux à périnée (à épisiotomie)
Forbici per perineo (episiotomia)

Art.Nr.	Beschreibung Description	Size	Spez.
010-695-18	WALDMANN	18,0cm; 7"	



010-703-20

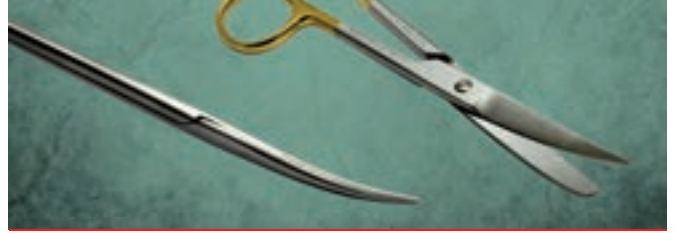
20,0cm; 8"



010

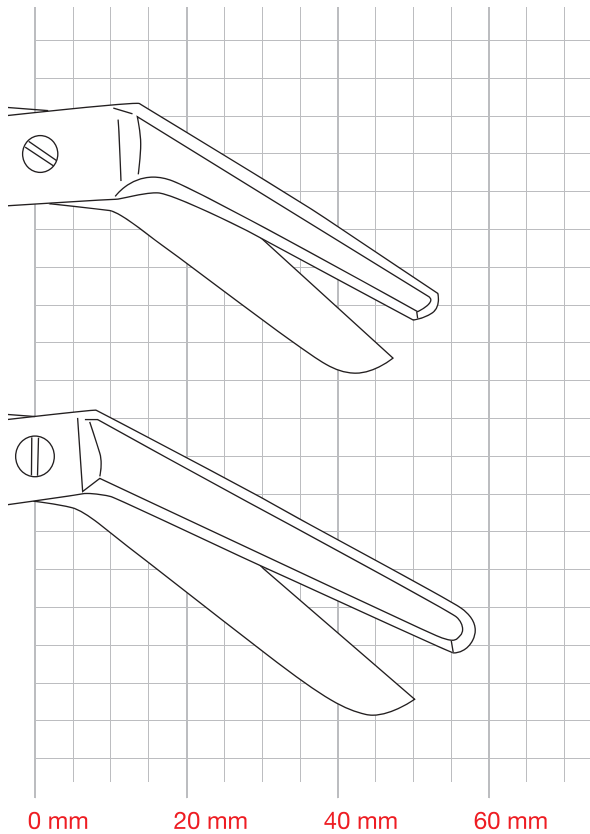
Dammscheren (Episiotomie)
Perineum Scissors (Episiotomy)

- Tijeras para perineo (episiotomía)
- Ciseaux à périnée (à épisiotomie)
- Forbici per perineo (episiotomia)



Art.Nr.	Beschreibung Description	Size	Spez.
---------	----------------------------	------	-------

BRAUN-STADLER



010-701-14

14,5cm; 5 3/4"

010-701-20

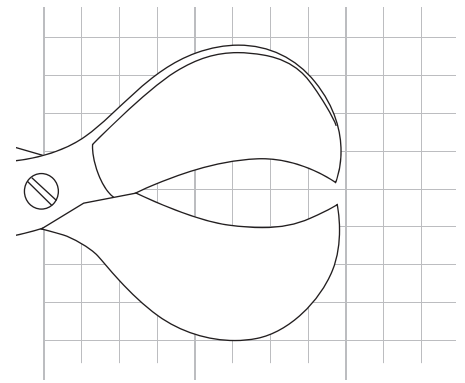
20,0cm; 8"

010

Nabelschnurscheren
Umbilical Cord Scissors

Tijeras umbilicales
Ciseaux pour le cordon ombilical
Forbici ombelicali

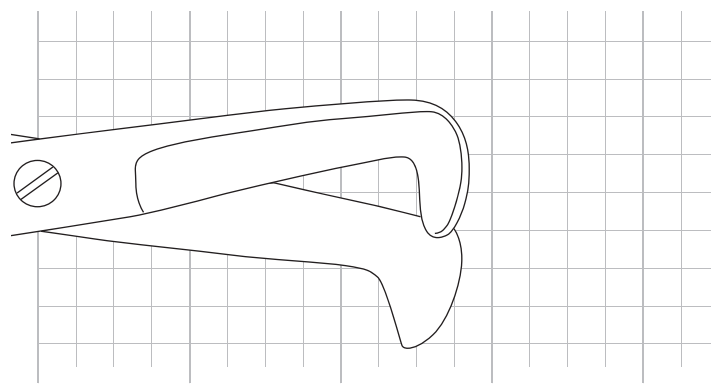
Art.Nr.	Beschreibung Description	Size	Spez.
010-706-10	USA MODELL	10,5cm; 4 1/4"	



1/1 0 mm 20 mm 40 mm

010

010-709-16	SCHUMACHER	16,0cm; 6 1/4"	
------------	------------	----------------	--



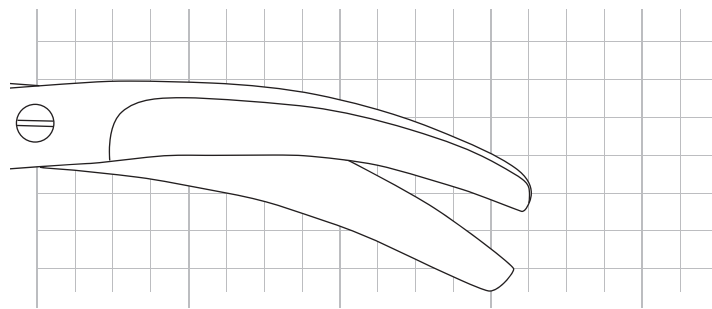
1/1 0 mm 20 mm 40 mm 60 mm 80 mm

Nabelschnurscheren
Umbilical Cord Scissors

Tijeras umbilicales
Ciseaux pour le cordon ombilical
Forbici ombilicali

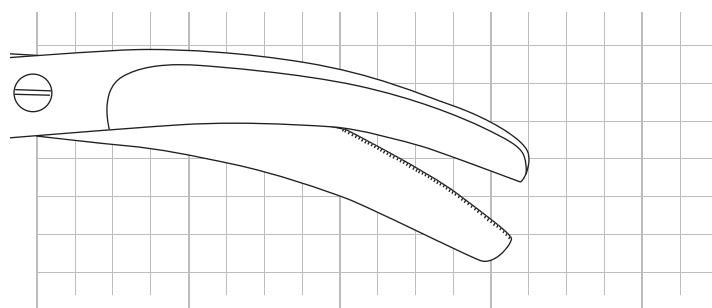


Art.Nr.	Beschreibung Description	Size	Spez.
010-707-16	BUSCH	16,0cm; 6 1/4"	



1/1 0 mm 20 mm 40 mm 60 mm 80 mm

010-705-16	BUSCH	16,0cm; 6 1/4"	
------------	-------	----------------	--

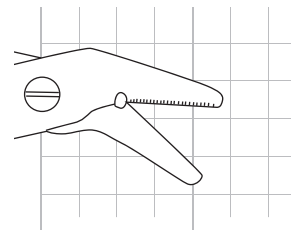


1/1 0 mm 20 mm 40 mm 60 mm 80 mm

010

Drahtscheren
Wire cutting Scissors
 Tijeras corta alambres
 Ciseaux coupe-fil
 Forbici per filo metallico

Art.Nr.	Beschreibung Description	Size	Spez.
010-800-12	UNIVERSAL	12,0cm; 4 3/4"	



1/1 0 mm 20 mm

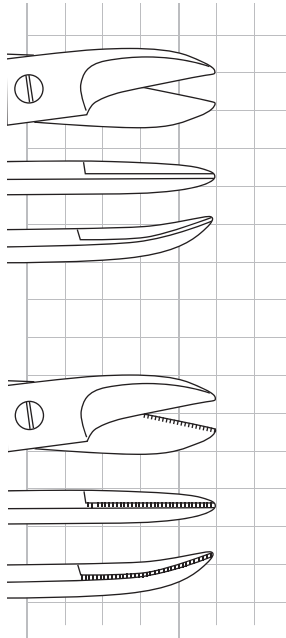


We can help to find a specific product. If you do not find a product in this catalogue please send us the reference catalogue number or an illustration of the instrument you are looking for.

Drahtscheren
Wire cutting Scissors
 Tijeras corta alambres
 Ciseaux coupe-fil
 Forbici per filo metallico



Art.Nr.	Beschreibung Description	Size	Spez.
	BEEBEE	10,5cm; 4 1/8"	



010-828-10

010-829-10

010-830-10

010-831-10

1/1 0 mm 20 mm



010

Zahnfleischscheren

Gum Scissors

Tijeras para encías

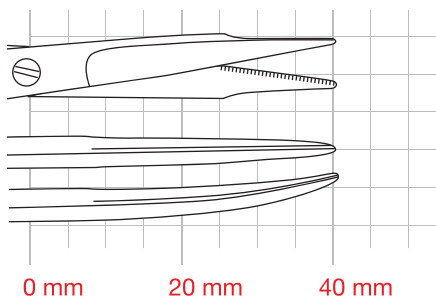
Ciseaux pour gencive

Forbici per gengiva

Art.Nr.	Beschreibung Description	Size	Spez.
---------	----------------------------	------	-------

GOLDMANN-FOX

13,0cm; 5"



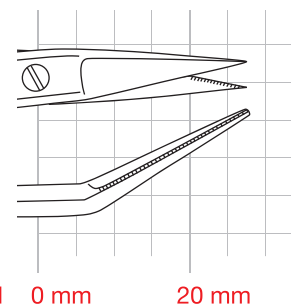
010-880-13

010-881-13

1/1 0 mm 20 mm 40 mm

010-893-17 **DEAN**

17,0cm; 6 3/4"

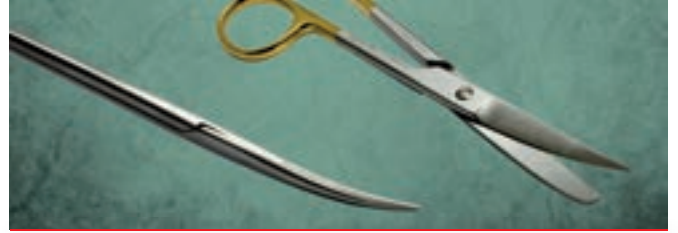


1/1 0 mm 20 mm

010

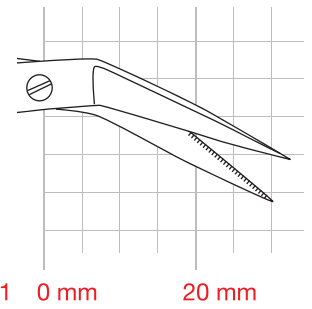
Zahnfleischscheren
Gum Scissors

Tijeras para encías
Ciseaux pour gencive
Forbici per gengiva

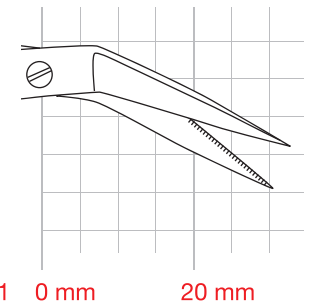


Art.Nr.	Beschreibung Description	Size	Spez.
---------	----------------------------	------	-------

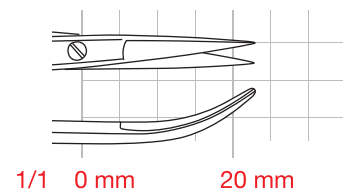
010-890-16	LOCKLIN	16,0cm; 6 1/4"	
------------	---------	----------------	---



010-891-16	LOCKLIN	16,0cm; 6 1/4"	
------------	---------	----------------	---



010-895-11	LA GRANGE	11,5cm; 4 1/2"	
------------	-----------	----------------	--



010

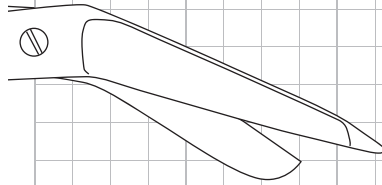
Verbandsscheren
Bandage Scissors
 Tijeras para vendajes
 Ciseaux pour pansements
 Forbici per bendaggi

Art.Nr. **Beschreibung | Description** **Size** **Spez.**

LISTER

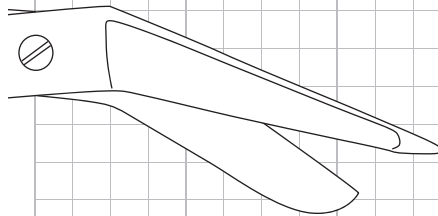


010-900-11



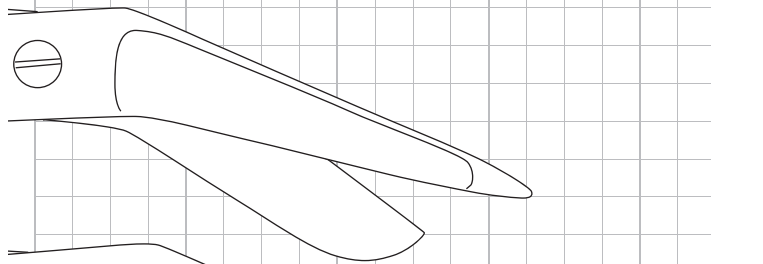
11,0cm; 4 3/8"

010-900-14



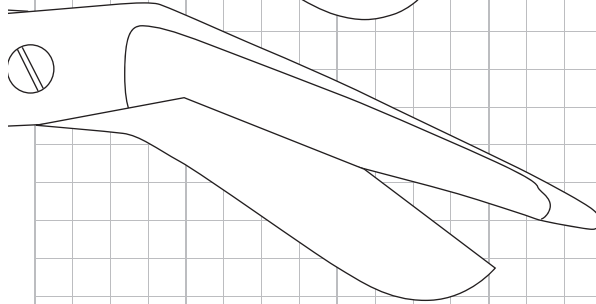
14,0cm; 5 1/2"

010-900-18



18,0cm; 7"

010-900-20



20,0cm; 8"

1/1 0 mm 20 mm 40 mm 60 mm 80 mm

010

• • • **Verbandsscheren**
 • • • **Bandage Scissors**
 • • • Tijeras para vendajes
 • • • Ciseaux pour pansements
 • • • Forbici per bendaggi



Art.Nr.	Beschreibung Description	Size	Spez.
---------	----------------------------	------	-------

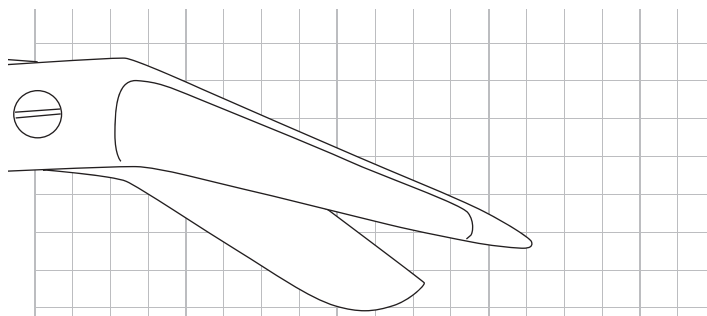
LISTER

1 großer Ring | 1 big ring | 1 anillo grande | 1 anneau grande | 1 anello grande



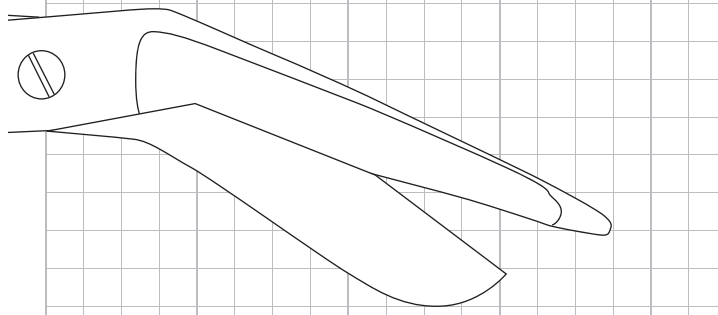
010

010-901-18



18,5cm; 7 1/4"

010-901-21



21,0cm; 8 1/4"

1/1 0 mm 20 mm 40 mm 60 mm 80 mm

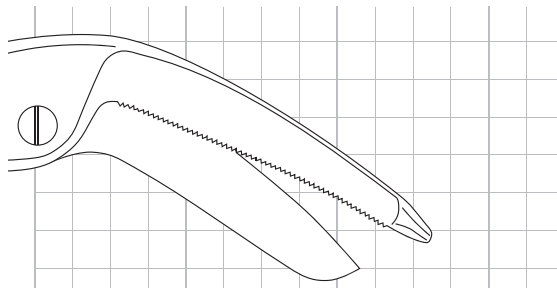
Verbandsscheren
Bandage Scissors
 Tijeras para vendajes
 Ciseaux pour pansements
 Forbici per bendaggi

Art.Nr.	Beschreibung Description	Size	Spez.
---------	----------------------------	------	-------

LISTER-EXCENTRIC

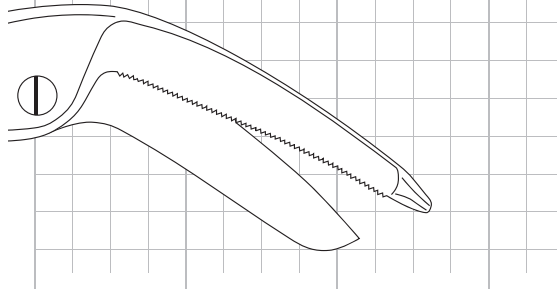


010-903-16



16,0cm; 6 1/4"

010-903-19



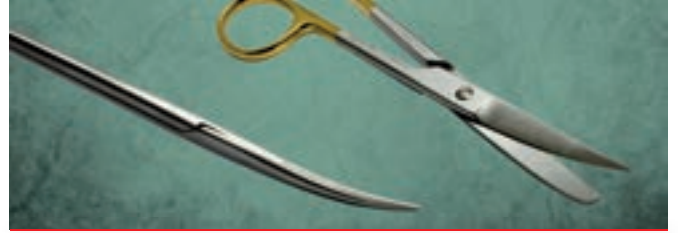
19,0cm; 7 1/2"

1/1 0 mm 20 mm 40 mm 60 mm

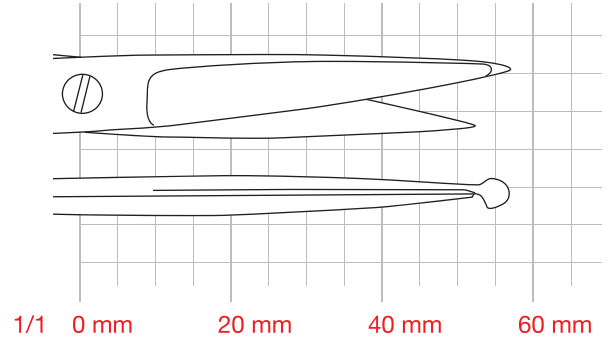
010

Verbandsscheren
Bandage Scissors

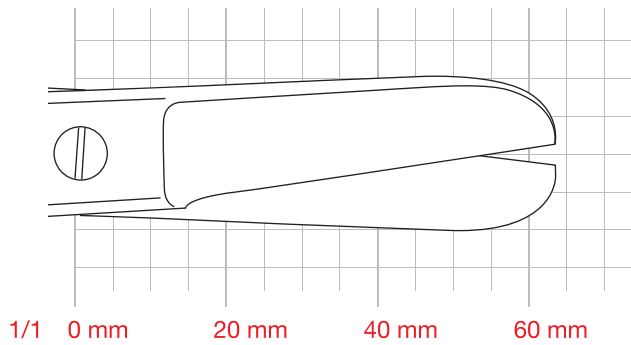
Tijeras para vendajes
Ciseaux pour pansements
Forbici per bendaggi



Art.Nr.	Beschreibung Description	Size	Spez.
010-920-14	KNOWLES	14,0cm; 5 1/2"	



010-930-23	LORENZ	23,0cm; 9"	
------------	--------	------------	--

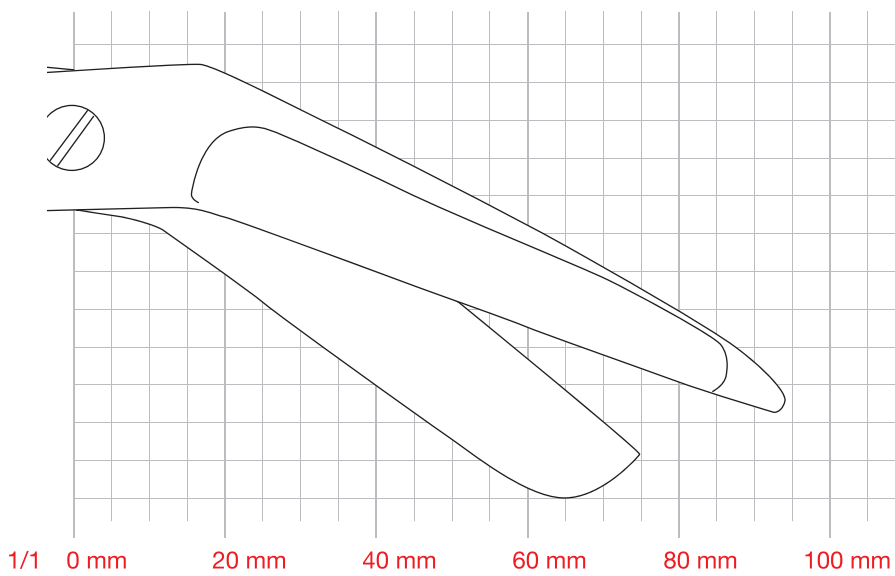


010

Gipsscheren
Plaster shears

- Tijeras para yeso
- Ciseaux pour plâtre
- Forbici per gesso

Art.Nr.	Beschreibung Description	Size	Spez.
010-905-23	BERGMANN	23,0cm; 9"	



010

Gipsscheren
Plaster shears
 Tijeras para yeso
 Ciseaux pour plâtre
 Forbici per gesso



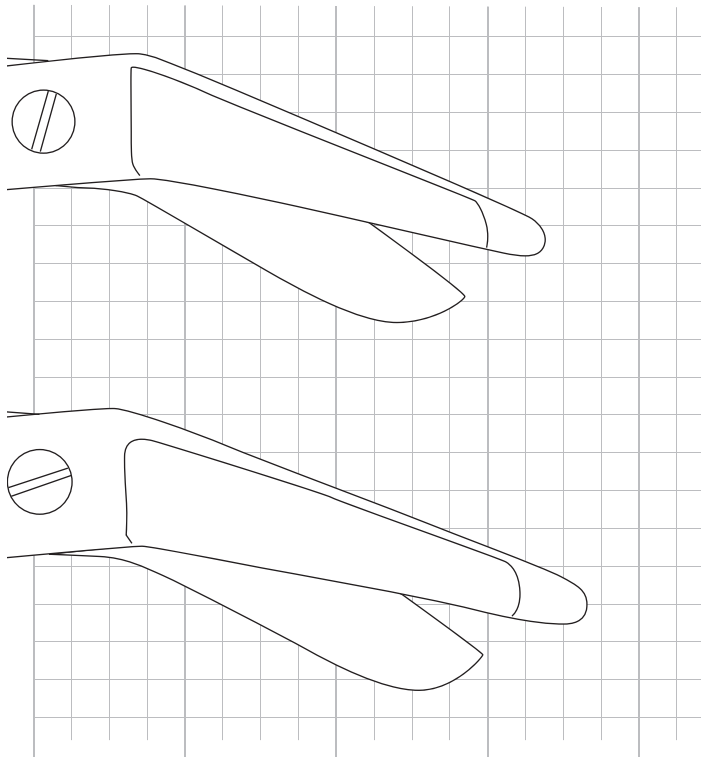
Art.Nr.	Beschreibung Description	Size	Spez.
---------	----------------------------	------	-------

ESMARCH



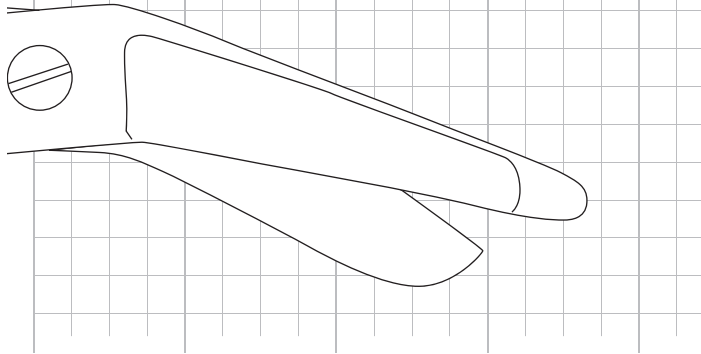
010

010-907-20



20,0cm; 8"

010-907-22



22,0cm; 8 3/4"

1/1 0 mm 20 mm 40 mm 60 mm 80 mm

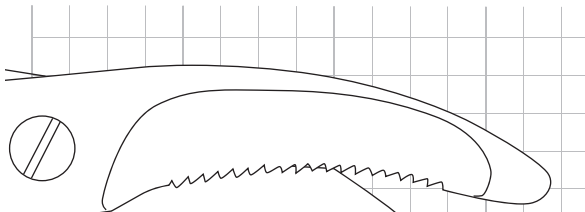
Gipsscheren
Plaster shears

- Tijeras para yeso
- Ciseaux pour plâtre
- Forbici per gesso

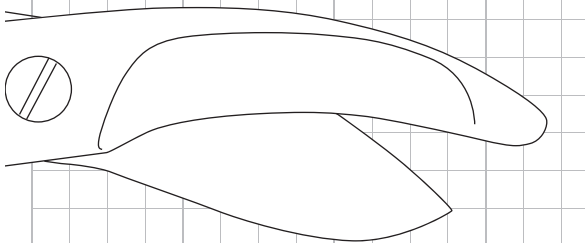
Art.Nr.	Beschreibung Description	Size	Spez.
	BRUNS	24,0cm; 9 1/2"	



010-909-24



010-910-24

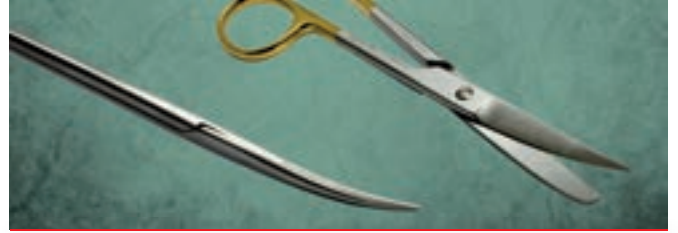


1/1 0 mm 20 mm 40 mm 60 mm

010

Gipsscheren
Plaster shears

- Tijeras para yeso
- Ciseaux pour plâtre
- Forbici per gesso

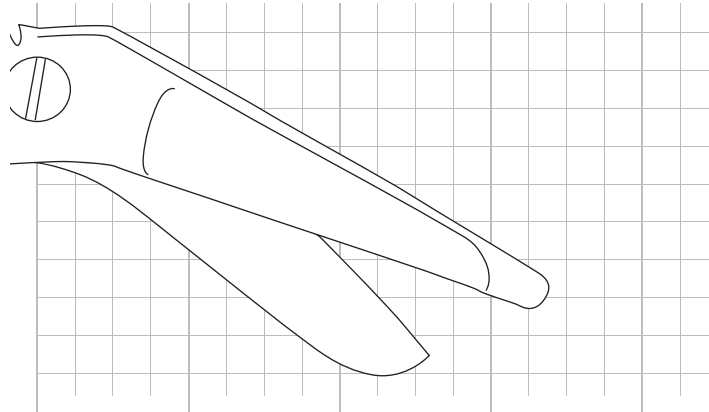


Art.Nr.	Beschreibung Description	Size	Spez.
---------	----------------------------	------	-------

010-941-20



20,0cm; 8"

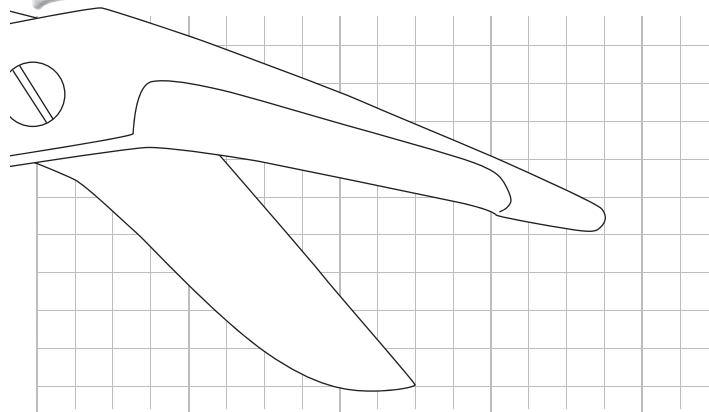


1/1 0 mm 20 mm 40 mm 60 mm 80 mm

010-943-23

SEUTIN

23,0cm; 9"



1/1 0 mm 20 mm 40 mm 60 mm 80 mm

010

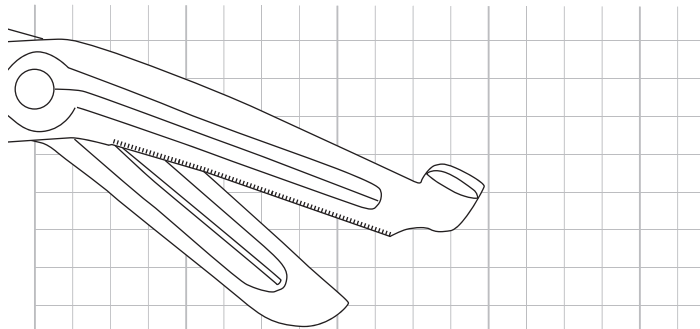
Verbandsscheren
Bandage Scissors
 Tijeras para vendajes
 Ciseaux pour pansements
 Forbici per bendaggi

Art.Nr.	Beschreibung Description	Size	Spez.
---------	----------------------------	------	-------

UNIVERSAL
autoclavable

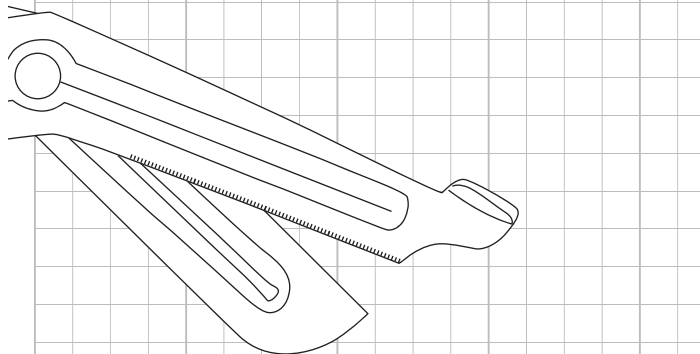


010-950-14



14,0cm; 5 1/2"

010-950-18



18,0cm; 7"

1/1 0 mm 20 mm 40 mm 60 mm 80 mm

010

Weitere Artikel**further items**

más artículos

plus d'articles

altri articoli



Art.Nr.	Beschreibung Description	Size	Spez.
Other items available but not illustrated			
	STANDARD operating scissors		
010-000-15	straight; blunt/blunt	15,5cm; 6,2"	
010-000-17	straight; blunt/blunt	17,5cm; 7"	
010-001-17	STANDARD operating scissors; curved; blunt/blunt	17,5cm; 7"	
010-002-15	STANDARD operating scissors; straight; sharp/blunt	15,5cm; 6,2"	
010-002-17	STANDARD operating scissors; straight; sharp/blunt	17,5cm; 7"	
010-003-17	STANDARD operating scissors; curved; sharp/blunt	17,5cm; 7"	
010-004-17	STANDARD operating scissors; straight; sharp/sharp	17,5cm; 7"	
	FOMON dissecting scissors	13,5cm; 5,4"	
010-013-13	curved		
010-015-13	curved; serrated		
	DEAVER surgical scissors	14,5cm; 5,8"	
010-050-14	straight; blunt/blunt		
010-051-14	curved; blunt/blunt		
	GRAZIL operating scissors	13,0cm; 5,2"	
010-071-13	curved; blunt/blunt		
010-072-13	straight; sharp/blunt		
010-073-13	curved; sharp/blunt		
010-074-13	straight; sharp/sharp		
010-075-13	curved; sharp/sharp		
	MAYO dissecting scissors	28,0cm; 11,2"	
010-100-28	straight; blunt/blunt		
010-101-28	curved; blunt/blunt		
	METZENBAUM-NELSON dissecting scissors		
010-112-18	straight; sharp/blunt	18,0cm; 7,2"	
010-112-25	straight; sharp/blunt	25,0cm; 10,0"	
	METZENBAUM-NELSON dissecting scissors		
010-113-18	curved; sharp/blunt	18,0cm; 7,2"	
010-113-25	curved; sharp/blunt	25,0cm; 10,0"	
010-114-23	METZENBAUM-NELSON dissecting scissors; straight; sharp/sharp	23,0cm; 9,2"	
	METZENBAUM-NELSON dissecting scissors		
010-115-18	curved; sharp/sharp	18,0cm; 7,2"	
010-115-20	curved; sharp/sharp	20,0cm; 8"	
010-115-23	curved; sharp/sharp	23,0cm; 9,2"	
010-115-25	curved; sharp/sharp	25,0cm; 10,0"	

Weitere Artikel**further items**

más artículos

plus d'articles

altri articoli

Art.Nr.	Beschreibung Description	Size	Spez.
Other items available but not illustrated			
010-120-25	METZENBAUM-FINO dissecting scissors straight; blunt/blunt	25,0cm; 10,0"	
010-120-28	straight; blunt/blunt	28,0cm; 11,2"	
010-121-28	METZENBAUM-FINO dissecting scissors; curved; blunt/blunt	28,0cm; 11,2"	
010-148-24S	RESANO cartilage scissors; angled up; blunt/blunt	24,5cm; 9,8"	
010-200-18	KILNER dissecting scissors straight; blunt/blunt	18,0cm; 7,2"	
010-201-18	curved; blunt/blunt		
010-210-18	REYNOLDS dissecting scissors; straight; sharp/sharp	18,0cm; 7,2"	
010-230-12	dissecting scissors straight; blunt/blunt	12,0cm; 4,8"	
010-231-12	curved; blunt/blunt		
010-242-11	IRIS delicate operating scissors straight; sharp/sharp; big Ring	11,5cm; 4,6"	
010-243-11	curved; sharp/sharp; big Ring		
010-246-11	Eye scissors straight; blunt/blunt	11,5cm; 4,6"	
010-247-11	curved; blunt/blunt		
010-248-11	straight; sharp/blunt		
010-249-11	curved; sharp/blunt		
010-250-12	IRIS delicate operating scissors straight; sharp/sharp; round shanks	12,5cm; 5"	
010-253-11	LITTLER delicate operating scissors curved; sharp/sharp	11,5cm; 4,6"	
010-253-14	curved; sharp/sharp	14,0cm; 5,6"	
010-259-11	CHADWICK eye scissors; curved; sharp/sharp	11,0cm; 4,4"	
010-266-00	RIBBON eye scissors straight; sharp/sharp	10,0cm; 4"	
010-266-02	straight; blunt/blunt		
010-266-03	curved; blunt/blunt		
010-266-04	straight; blunt/blunt		
010-266-05	curved; blunt/blunt		
010-268-00	RIBBON eye scissors straight; sharp/sharp; delicate	9,5cm; 3,8"	
010-268-01	curved; sharp/sharp; delicate		
010-268-02	straight; blunt/blunt; delicate		
010-268-04	straight; sharp/sharp		
010-268-05	curved; sharp/sharp		

Weitere Artikel**further items**

más artículos

plus d'articles

altri articoli



Art.Nr.	Beschreibung <i>Description</i>	Size	Spez.
Other items available but not illustrated			
010-271-08	BONN delicate operating scissors; curved; sharp/sharp	9,0cm; 3,5"	
010-291-10	STEVENS tendon scissors curved; sharp/sharp	10,5cm; 4,2"	
010-294-10	straight; blunt/blunt		
010-302-16	Incision scissors; straight	16,5cm; 6,6"	
010-304-13	delicate operating scissors straight; sharp/sharp	13,0cm; 5,2"	
010-305-13	curved; sharp/sharp		
010-306-10	delicate operating scissors straight	10,5cm; 4,2"	
010-306-11	straight	11,5cm; 4,6"	
010-307-10	delicate operating scissors curved	10,5cm; 4,2"	
010-307-11	curved	11,5cm; 4,6"	
010-309-11	delicate operating scissors; angled	11,5cm; 4,6"	
010-324-18	TOENNIS dissecting scissors; straight; blunt/blunt	18,0cm; 7,2"	
010-331-14	BEUSE dissceting scissors; curved blunt/blunt	14,0cm; 5,6"	
010-331-18	blunt/blunt	18,0cm; 7,2"	
010-345-15	FOMON nasal scissors; angled; blunt/blunt	13,5cm; 5,4"	
010-401-11	SPENCER-DELICATE ligature scissors; straight	11,0cm; 4,4"	
010-411-06	SHORTBENT ligature scissors; curved	6,0cm; 2,4"	
010-426-12	ligature scissors; straight; serrated	12,0cm; 4,8"	
010-452-22	STRULLY neurosurgical scissors; curved	22,0cm; 8,8"	
010-455-21	MILLS vascular scissors; angled; probe pointed	21,0cm; 8,4"	
010-464-17	CHURCH vascular scissors straight; blunt/blunt	17,0cm; 6,8"	
010-465-17	curved; blunt/blunt		
010-501-19	HEYMANN nasal scissors; angled; blunt/blunt	19,5cm; 7,8"	
010-515-18	COTTLE nasal scissors; angled; serrated	17,5cm; 7"	

Weitere Artikel**further items**

más artículos

plus d'articles

altri articoli

Art.Nr.	Beschreibung <i>Description</i>	Size	Spez.
Other items available but not illustrated			
010-549-12	HEGEMANN-DIETRICH vascular scissors 125° angled; sharp/sharp	16,0cm; 6,4"	
010-549-25	25° angled; sharp/sharp		
010-549-45	45° angled; sharp/sharp		
010-549-60	60° angled; sharp/sharp		
010-549-90	90° angled; sharp/sharp		
010-562-17	FAVALORO vascular scissors; curved; 130°	17,0cm; 6,8"	
DIETRICH peripheral scissors			
010-563-25	25° angled	13,5cm; 5,4"	
010-563-45	45° angled		
010-563-60	60° angled		
010-563-90	90° angled		
010-602-20	SIMS gynecological scissors; straight; sharp/blunt	20,0cm; 8"	
010-602-23	SIMS gynecological scissors; straight; sharp/blunt	23,0cm; 9,2"	
010-603-20	SIMS gynecological scissors; curved; sharp/blunt	20,0cm; 8"	
010-603-23	SIMS gynecological scissors; curved; sharp/blunt	23,0cm; 9,2"	
010-604-20	SIMS gynecological scissors; straight; sharp/sharp	20,0cm; 8"	
010-604-23	SIMS gynecological scissors; straight; sharp/sharp	23,0cm; 9,2"	
010-605-20	SIMS gynecological scissors; curved; sharp/sharp	20,0cm; 8"	
010-605-23	SIMS gynecological scissors; curved; sharp/sharp	23,0cm; 9,2"	
010-622-22	BOZEMANN gynecological scissors; S-shaped; curved	22,0cm; 8,8"	
010-640-14	WERTHEIM operating scissors; curved; blunt/blunt	14,5cm; 5,8"	
010-655-28	WELLER scissors; curved	28,0cm; 11,2"	
010-707-13	BUSCH umbilical scissors; curved; blunt/blunt	13,5cm; 5,4"	
010-810-12	HARVEY wire cutting scissors; straight; blunt; serrated	12,5cm; 5"	
BEEBEE wire cutting scissors			
010-826-10	straight; blunt	10,5cm; 4,2"	
010-827-10	curved; blunt		
BEEBEE wire cutting scissors			
010-830-12	straight; sharp; serrated	12,5cm; 5"	
010-831-12	curved; sharp; serrated		

Weitere Artikel**further items**

más artículos

plus d'articles

altri articoli



Art.Nr.	Beschreibung Description	Size	Spez.
Other items available but not illustrated			
010-838-11	crown scissors straight; sharp/sharp	11,0cm; 4,4"	
010-839-11	curved; sharp/sharp		
010-858-09	nail scissors straight; sharp/sharp	9,0cm; 3,6"	
010-858-10	straight; sharp/sharp	10,5cm; 4,2"	
010-859-09	nail scissors curved; sharp/sharp	9,0cm; 3,6"	
010-859-10	curved; sharp/sharp	10,5cm; 4,2"	
010-860-10	nail scissors; straight; sharp/sharp	10,5cm; 4,2"	
010-878-13	KOENIG nail splitting scissors straight	13,5cm; 5,4"	
010-878-15	straight	15,0cm; 6"	
010-885-13	GOLDMAN-FOX gum scissors; S-shaped curved; sharp/sharp	13,0cm; 5,2"	
010-887-12	QUINBY gum scissors; curved; sharp/sharp	12,5cm; 5"	
010-899-02	SULLIVAN gum scissors; curved; sharp/sharp	14,5cm; 5,8"	
010-899-12	NEUMANN gum scissors; curved; sharp/sharp	12,5cm; 5"	
010-900-09	LISTER bandage scissors angled	9,0cm; 3,6"	
010-900-15	angled	15,5cm; 6,2"	
010-921-14	KNOWLES bandage scissors; angled; for fingers	14,0cm ; 5,6"	
010-922-18	LANGE bandage scissors; straight; blunt/blunt	18,0cm; 7,2"	
010-940-16	SMITH bandage scissors straight	16,0cm; 6,4"	
010-940-18	straight	18,0cm; 7,2"	
010-940-20	straight	20,0cm; 8"	
010-940-23	straight	23,0cm; 9,2"	
010-950-14BLACK	BLACK UNIVERSAL bandage scissors angled; serrated; with tip	14,0cm; 5,6"	
010-950-14BLUE	angled; serrated; blue		
010-950-14GREEN	angled; serrated; green		
010-950-14ORANGE	angled; serrated; orange		
010-950-14PINK	angled; serrated; pink		
010-950-14RED	angled; serrated; red		
010-950-14VIOLET	angled; serrated; violet		
010-950-14YELLOW	angled; serrated; yellow		

Weitere Artikel**further items**

más artículos

plus d'articles

altri articoli

Art.Nr.	Beschreibung Description	Size	Spez.
---------	----------------------------	------	-------

Other items available but not illustrated

	UNIVERSAL bandage scissors	18,0cm; 7,2"	
010-950-18BLACK	angled; serrated, with tip		
010-950-18BLUE	angled; serrated; blue		
010-950-18GREEN	angled; serrated; green		
010-950-18ORANGE	angled; serrated; orange		
010-950-18PINK	angled; serrated; pink		
010-950-18RED	angled; serrated; red		
010-950-18VIOLET	angled; serrated; violet		
010-950-18YELLOW	angled; serrated; yellow		

ALTO items

010-121-18ALTO	010-242-11ALTO	010-402-14ALTO
010-121-20ALTO	010-244-10ALTO	010-411-06ALTO
010-121-23ALTO	010-244-11ALTO	010-413-13ALTO
010-121-28ALTO	010-245-09ALTO	010-501-18ALTO
010-124-14ALTO	010-245-10ALTO	010-511-16ALTO
010-125-14ALTO	010-245-11ALTO	010-519-22ALTO
010-127-18ALTO	010-250-10ALTO	010-521-18ALTO
010-140-10ALTO	010-250-11ALTO	010-525-19ALTO
010-140-16ALTO	010-253-11ALTO	010-549-12ALTO
010-140-21ALTO	010-253-14ALTO	010-549-90ALTO
010-141-10ALTO	010-263-11ALTO	010-550-12ALTO
010-141-16ALTO	010-268-04ALTO	010-550-25ALTO
010-141-21ALTO	010-268-05ALTO	010-550-45ALTO
010-160-17ALTO	010-270-08ALTO	010-550-60ALTO
010-161-17ALTO	010-271-08ALTO	010-550-90ALTO
010-200-12ALTO	010-281-12ALTO	010-551-25ALTO
010-201-12ALTO	010-290-10ALTO	010-551-45ALTO
010-201-15ALTO	010-290-11ALTO	010-551-60ALTO
010-210-15ALTO	010-291-10ALTO	010-570-19ALTO
010-211-15ALTO	010-291-11ALTO	010-572-11ALTO
010-224-14ALTO	010-294-10ALTO	010-600-20ALTO
010-225-14ALTO	010-295-11ALTO	010-600-23ALTO
010-228-14ALTO	010-300-14ALTO	010-601-20ALTO
010-229-14ALTO	010-315-18ALTO	010-601-23ALTO
010-230-12ALTO	010-324-18ALTO	010-602-20ALTO
010-231-12ALTO	010-325-18ALTO	010-603-20ALTO
010-232-12ALTO	010-400-09ALTO	010-610-16ALTO
010-233-12ALTO	010-400-10ALTO	010-610-17ALTO
010-234-12ALTO	010-400-13ALTO	010-611-16ALTO
010-235-12ALTO	010-401-11ALTO	010-611-17ALTO
010-240-11ALTO	010-401-16ALTO	010-612-16ALTO
010-241-11ALTO	010-402-11ALTO	010-634-16ALTO

010

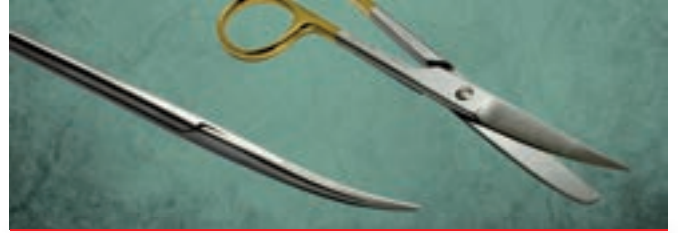
Weitere Artikel

further items

más artículos

plus d'articles

altri articoli



ALTO items



- 010-634-18ALTO
- 010-635-16ALTO
- 010-640-19ALTO
- 010-640-23ALTO
- 010-650-18ALTO
- 010-651-18ALTO
- 010-672-21ALTO
- 010-674-21ALTO
- 010-695-18ALTO
- 010-701-14ALTO
- 010-701-20ALTO
- 010-706-10ALTO
- 010-707-16ALTO
- 010-709-16ALTO
- 010-800-12ALTO
- 010-826-10ALTO
- 010-827-10ALTO
- 010-828-10ALTO
- 010-829-10ALTO
- 010-830-10ALTO
- 010-830-12ALTO
- 010-831-10ALTO
- 010-838-11ALTO
- 010-839-11ALTO
- 010-858-09ALTO
- 010-858-10ALTO
- 010-859-09ALTO
- 010-859-10ALTO
- 010-860-10ALTO
- 010-861-10ALTO
- 010-862-10ALTO
- 010-863-10ALTO
- 010-874-11ALTO
- 010-876-11ALTO
- 010-880-13ALTO
- 010-881-13ALTO
- 010-885-13ALTO
- 010-887-12ALTO
- 010-890-16ALTO
- 010-891-16ALTO
- 010-893-17ALTO
- 010-897-12ALTO
- 010-899-02ALTO
- 010-900-09ALTO
- 010-900-11ALTO
- 010-900-14ALTO
- 010-900-15ALTO
- 010-900-18ALTO
- 010-900-20ALTO
- 010-901-18ALTO
- 010-901-21ALTO
- 010-903-16ALTO
- 010-903-19ALTO
- 010-905-23ALTO
- 010-907-20ALTO
- 010-907-22ALTO
- 010-909-24ALTO
- 010-909-24ALTO
- 010-910-24ALTO
- 010-920-14ALTO
- 010-922-18ALTO
- 010-930-23ALTO
- 010-940-16ALTO
- 010-940-18ALTO
- 010-940-20ALTO
- 010-940-23ALTO
- 010-941-20ALTO
- 010-943-23ALTO
- 010-950-14ALTO
- 010-950-15ALTO
- 010-950-18ALTO

010

TC

golden rings

1.4021

tungsten carbide

curved

sharp

TC Scheren
TC Scissors

0111

Scheren mit Hartmetallschneiden
Scissors with tungsten carbide edges

Tijeras con filos de carburo tungsteno
Ciseaux avec plaquettes en carbure de tungstène
Forbici con taglio in carburo di tungsteno



TC

hohe Wirtschaftlichkeit; lange Lebensdauer
economical; long lasting performance
económico; larga duración de vida
tranchants aiguisés en permanence; à vite longue
risparmi sul costo; prestazioni di lunga durata



durchgehend gehärtet
fully tempered
completamente templado
continu trempé
completamente temperato

glatter weicher Schnitt
smooth cutting
corte liso y suave
souplesse et régularité de manoeuvre
taglio liscio

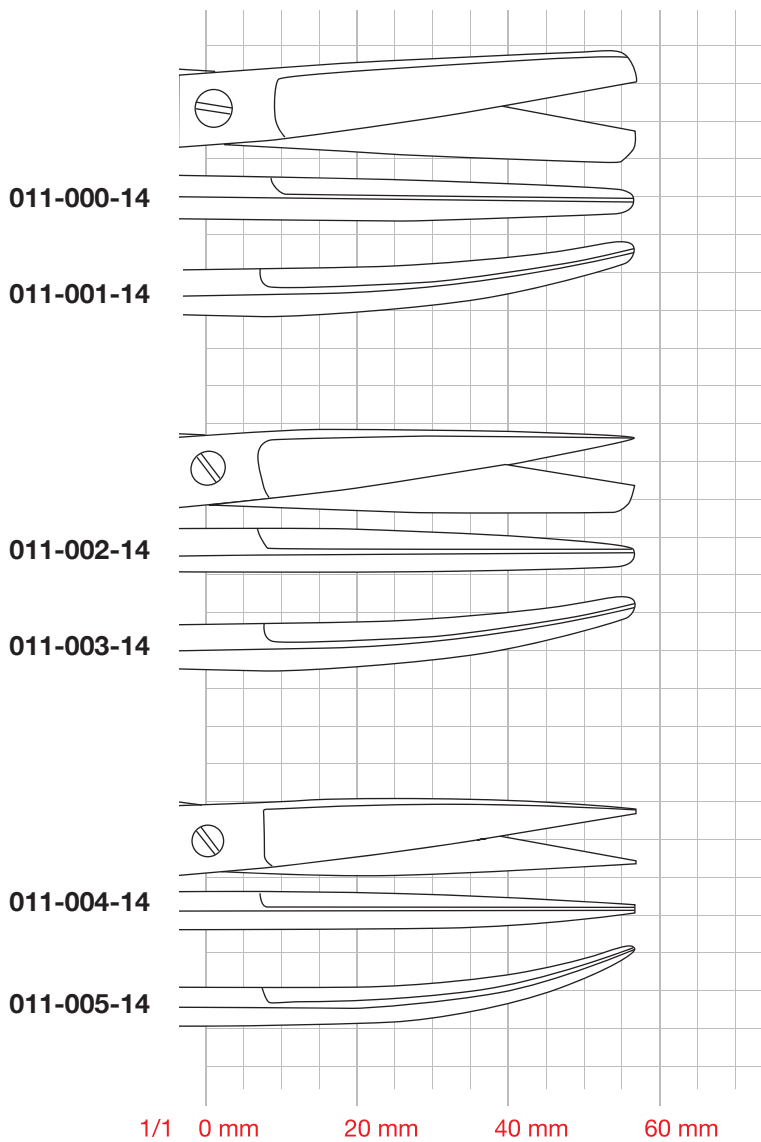
vergoldete Ringe zur schnellen Identifikation
goldplated rings for easy identification
anillos dorados para su identificación
anneux dorés pour une identification facile
anelli bagnati in oro permettono una più semplice identificazione

hervorragende Schnitthaltigkeit
excellent cutting action
corte de excelente agudeza
coupe fine
eccellente accuratezza del taglio

Chirurgische Scheren
Operating Scissors

Tijeras quirúrgicas
Ciseaux chirurgicaux
Forbici per chirurgia

Art.Nr.	Beschreibung <i>Description</i>	Size	Spez.
	STANDARD	14,5cm; 5 3/4"	



Chirurgische Scheren
Operating Scissors

Tijeras quirúrgicas
Ciseaux chirurgicaux
Forbici per chirurgia



Art.Nr. Beschreibung | Description Size Spez.

MAYO



011

011-100-14		14,5cm; 5 3/4"
011-101-14		14,5cm; 5 3/4"
011-100-17		17,0cm; 6 3/4"
011-101-17		17,0cm; 6 3/4"
011-100-23		23,0cm; 9"
011-101-23		23,0cm; 9"

1/1 0 mm 20 mm 40 mm 60 mm

Chirurgische Scheren
Operating Scissors

Tijeras quirúrgicas
Ciseaux chirurgicaux
Forbici per chirurgia

Art.Nr. Beschreibung | *Description* Size Spez.

MAYO-STILLE

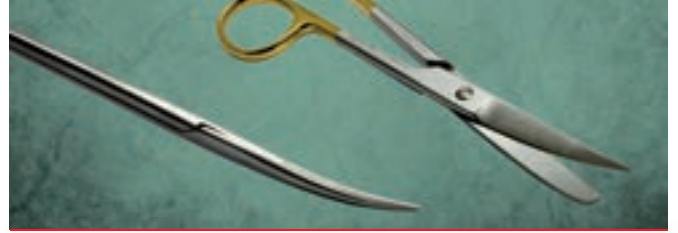


011-102-15		15,0cm; 6"
011-103-15		15,0cm; 6"
011-102-17		17,0cm; 6 3/4"
011-103-17		17,0cm; 6 3/4"

1/1 0 mm 20 mm 40 mm 60 mm

Chirurgische Scheren
Operating Scissors

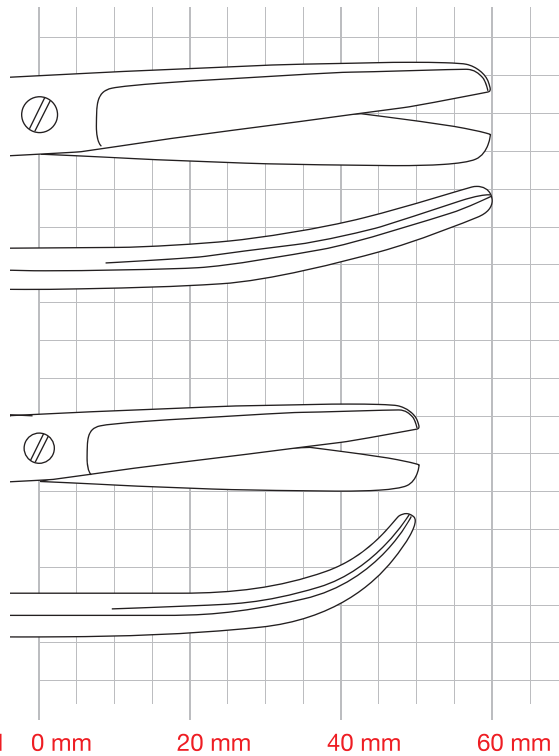
Tijeras quirúrgicas
Ciseaux chirurgicaux
Forbici per chirurgia



Art.Nr.	Beschreibung Description	Size	Spez.
---------	----------------------------	------	-------

PARAMETRIUM

kräftiges Modell | heavy pattern | modelo fuerte | modèle forte | modello forte



011-107-22

22,5cm; 8 3/4"

011-107-23

23,0cm; 9"

1/1 0 mm 20 mm 40 mm 60 mm

011

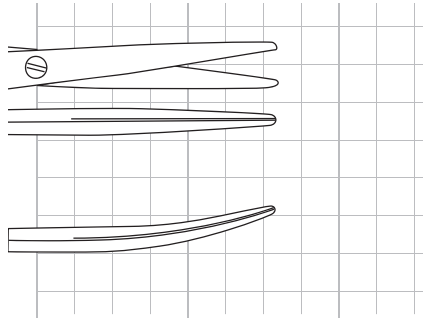
Präparierscheren
Dissecting Scissors

Tijeras de disección
Ciseaux à dissection
Forbici per dissezione

Art.Nr.	Beschreibung Description	Size	Spez.
	BABY-METZENBAUM	11,5cm; 4 1/2"	



011-110-11

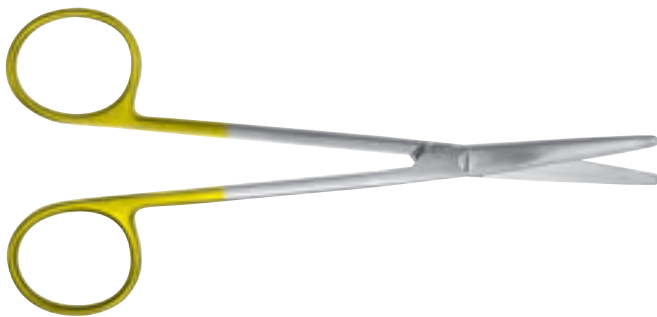


011-111-11

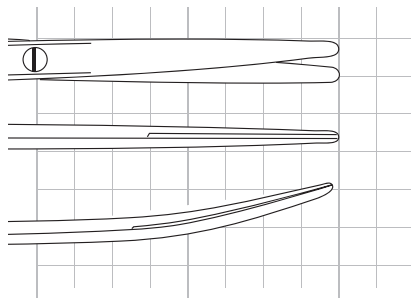
1/1 0 mm 20 mm 40 mm

METZENBAUM

14,5cm; 5 3/4"



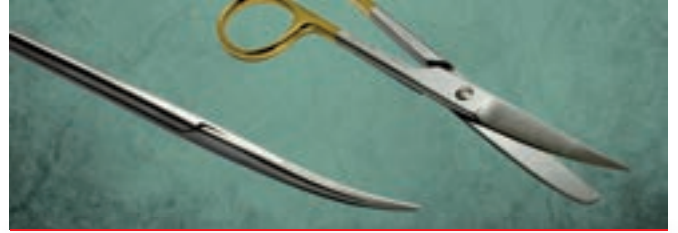
011-110-14



011-111-14

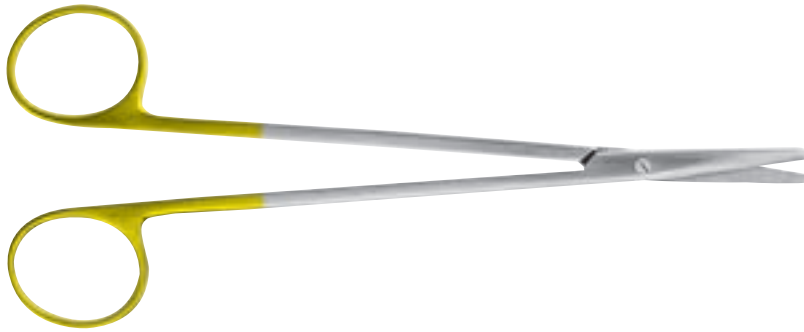
1/1 0 mm 20 mm 40 mm

Präparierscheren
Dissecting Scissors
 Tijeras de disección
 Ciseaux à dissection
 Forbici per dissezione

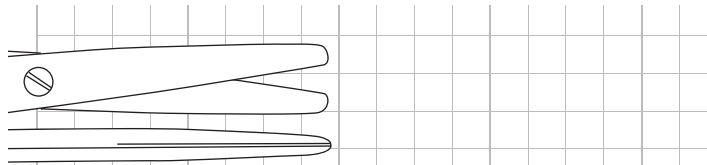


Art.Nr.	Beschreibung Description	Size	Spez.
---------	----------------------------	------	-------

METZENBAUM-NELSON



011-110-18



18,0cm; 7"

011-111-18



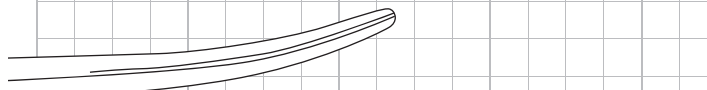
18,0cm; 7"

011-110-20



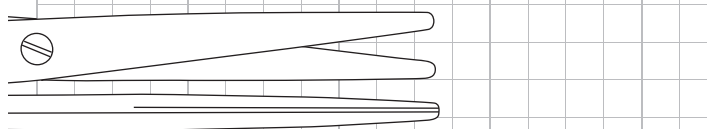
20,0cm; 8"

011-111-20



20,0cm; 8"

011-110-23



23,0cm; 9"

011-111-23



23,0cm; 9"

1/1 0 mm 20 mm 40 mm 60 mm 80 mm

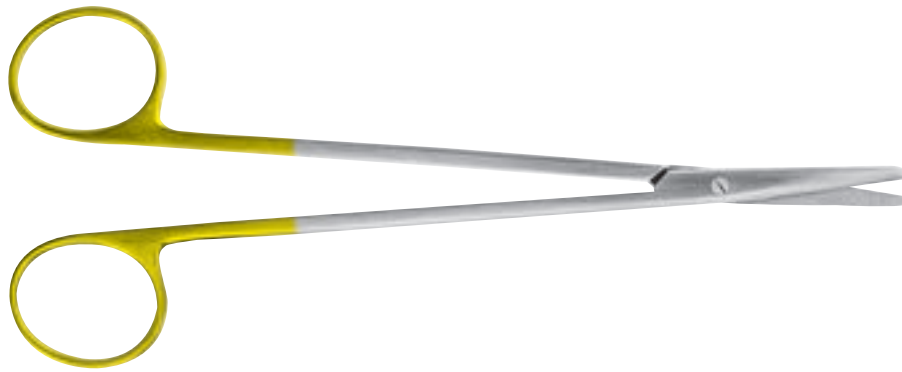
011

Präparierscheren
Dissecting Scissors

Tijeras de disección
Ciseaux à dissection
Forbici per dissezione

Art.Nr. Beschreibung | Description Size Spez.

METZENBAUM-NELSON

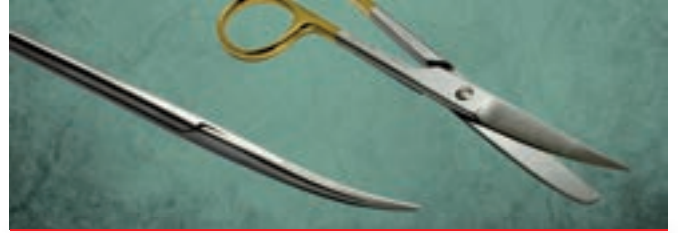


011-110-25		26,0cm; 10 1/4"
011-111-25		26,0cm; 10 1/4"
011-110-28		28,5cm; 11 1/4"
011-111-28		28,5cm; 11 1/4"
011-110-30		31,0cm; 12 1/4"
011-111-30		31,0cm; 12 1/4"

1/1 0 mm 20 mm 40 mm 60 mm 80 mm

Präparierscheren
Dissecting Scissors

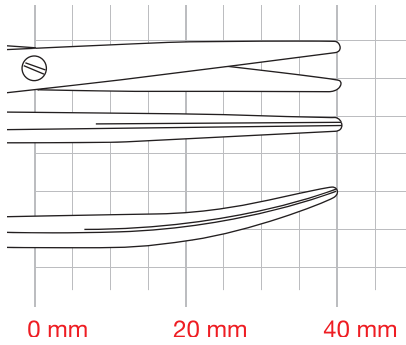
Tijeras de disección
Ciseaux à dissection
Forbici per dissezione



Art.Nr.	Beschreibung Description	Size	Spez.
---------	----------------------------	------	-------

METZENBAUM-FINO

14,5cm; 5 3/4"



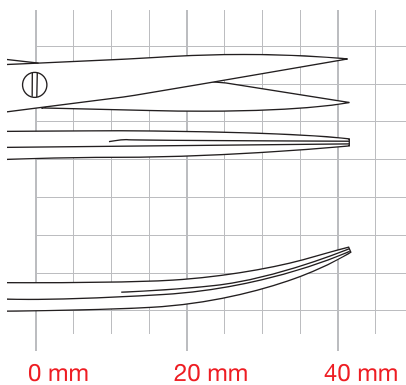
011-120-14

011-121-14

1/1 0 mm 20 mm 40 mm

METZENBAUM-FINO

14,5cm; 5 3/4"



011-124-14

011-125-14

1/1 0 mm 20 mm 40 mm

011

Präparierscheren
Dissecting Scissors

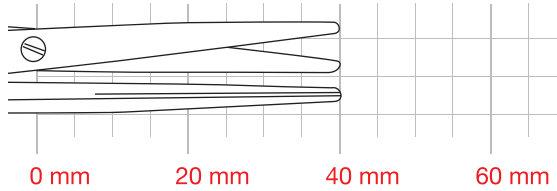
Tijeras de disección
Ciseaux à dissection
Forbici per dissezione

Art.Nr. Beschreibung | Description Size Spez.

METZENBAUM-FINO



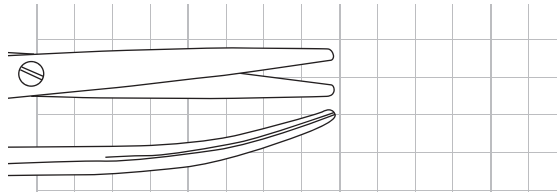
011-120-18



18,0cm; 7"

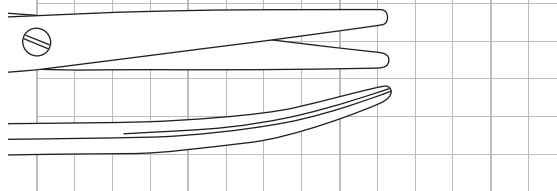
1/1 0 mm 20 mm 40 mm 60 mm

011-121-18



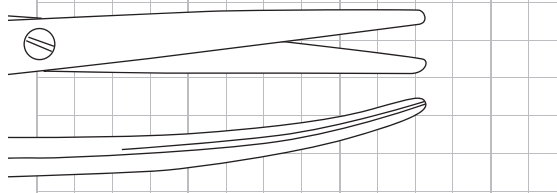
18,0cm; 7"

011-121-20



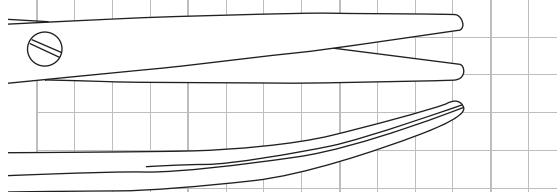
20,5cm; 8"

011-121-23



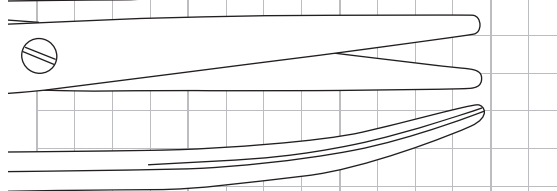
23,0cm; 9"

011-121-25



26,0cm; 10 1/4"

011-121-28

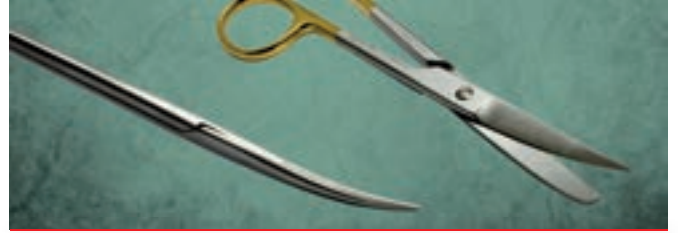


28,5cm; 11 1/4"

1/1 0 mm 20 mm 40 mm 60 mm

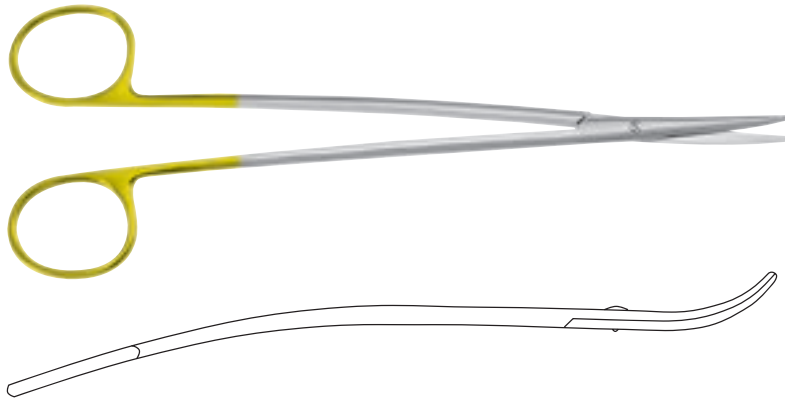
Präparierscheren
Dissecting Scissors

Tijeras de disección
Ciseaux à dissection
Forbici per dissezione



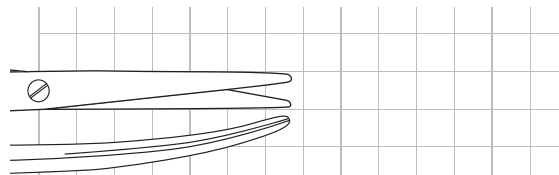
Art.Nr.	Beschreibung Description	Size	Spez.
---------	----------------------------	------	-------

METZENBAUM-FINO S



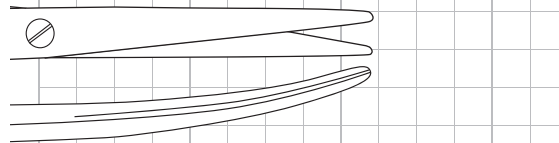
011

011-127-18



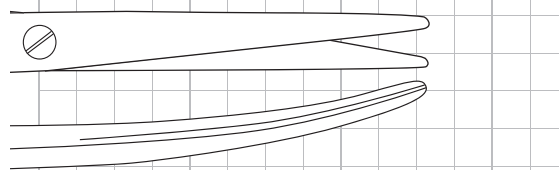
18,0cm; 7"

011-127-20



20,5cm; 8"

011-127-23



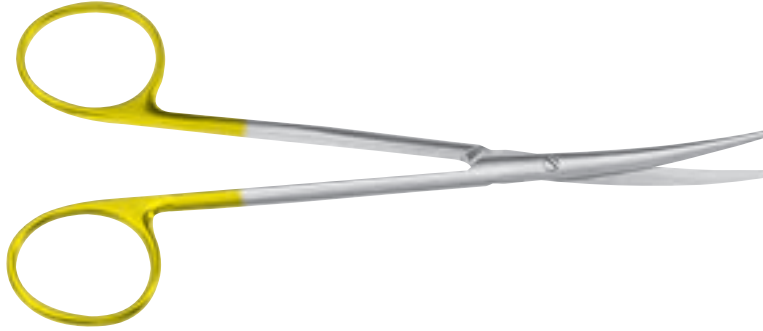
23,0cm; 9"

1/1 0 mm 20 mm 40 mm 60 mm

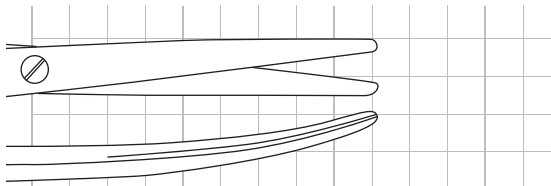
Präparierscheren
Dissecting Scissors
 Tijeras de disección
 Ciseaux à dissection
 Forbici per dissezione

Art.Nr.	Beschreibung Description	Size	Spez.
---------	----------------------------	------	-------

METZENBAUM-LAHEY

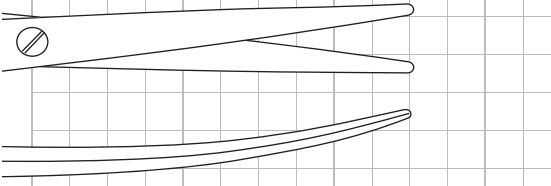


011-137-14



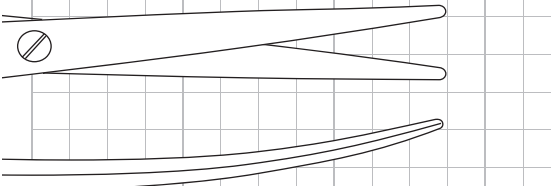
14,0cm; 5 1/2"

011-137-20



20,5cm; 8"

011-137-23

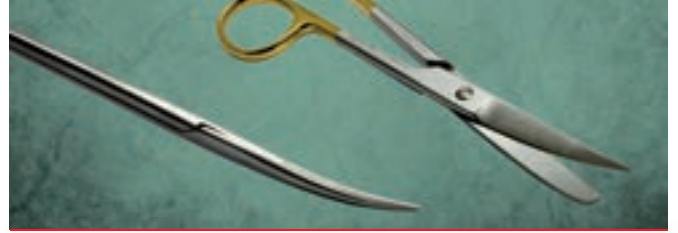


23,0cm; 9"

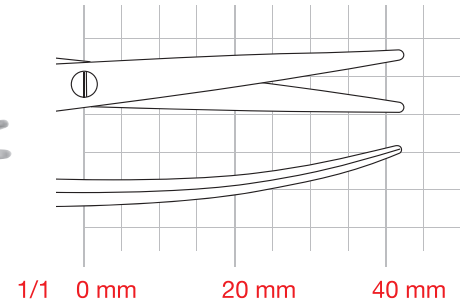
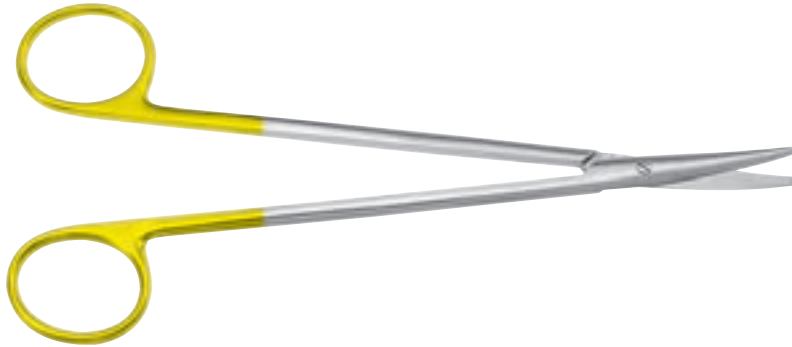
1/1 0 mm 20 mm 40 mm 60 mm

Präparierscheren
Dissecting Scissors

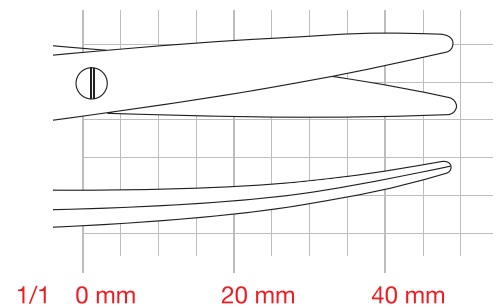
Tijeras de disección
Ciseaux à dissection
Forbici per dissezione



Art.Nr.	Beschreibung <i>Description</i>	Size	Spez.
011-139-17	TOENNIS-ADSON	17,0cm; 6 3/4"	



011-145-16	MAYO-LEXER	16,0cm; 6 1/4"	
------------	------------	----------------	--



011

Präparierscheren
Dissecting Scissors
 Tijeras de disección
 Ciseaux à dissection
 Forbici per dissezione

Art.Nr.	Beschreibung Description	Size	Spez.
---------	----------------------------	------	-------

LEXER



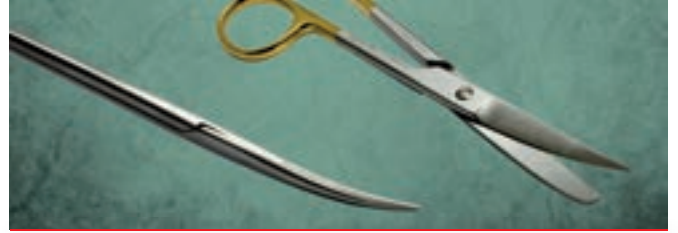
011-140-16		16,0cm; 6 1/4"
011-141-16		16,0cm; 6 1/4"
011-140-21		21,0cm; 8 1/4"
011-141-21		21,0cm; 8 1/4"

1/1 0 mm 20 mm 40 mm 60 mm

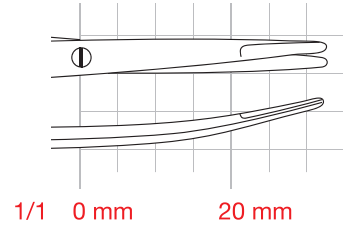
011

Präparierscheren
Dissecting Scissors

Tijeras de disección
Ciseaux à dissection
Forbici per dissezione



Art.Nr.	Beschreibung <i>Description</i>	Size	Spez.
011-201-12	RAGNELL	12,5cm; 5"	



1/1 0 mm 20 mm

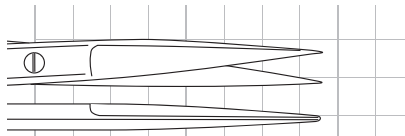
011

JOSEPH

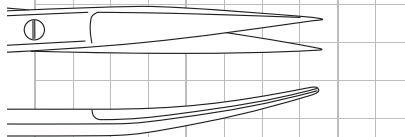
14,0cm; 5 1/2"



011-228-14



011-229-14



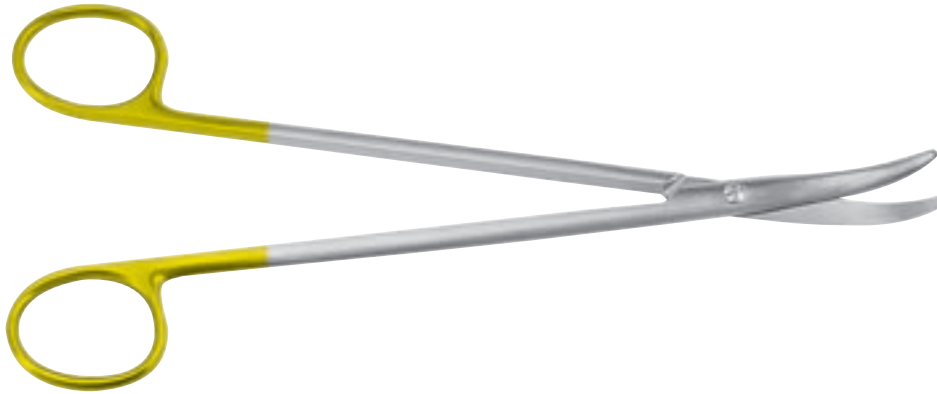
1/1 0 mm 20 mm 40 mm

Präparierscheren
Dissecting Scissors

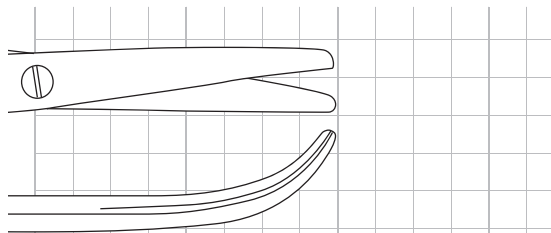
Tijeras de disección
 Ciseaux à dissection
 Forbici per dissezione

Art.Nr.	Beschreibung Description	Size	Spez.
---------	----------------------------	------	-------

METZENBAUM-THOREK

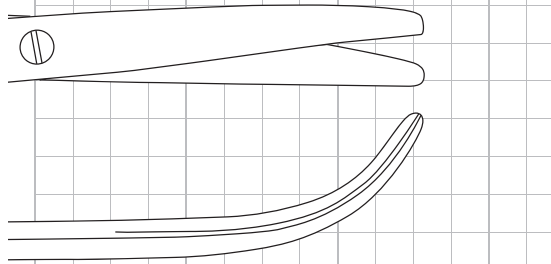


011-217-20



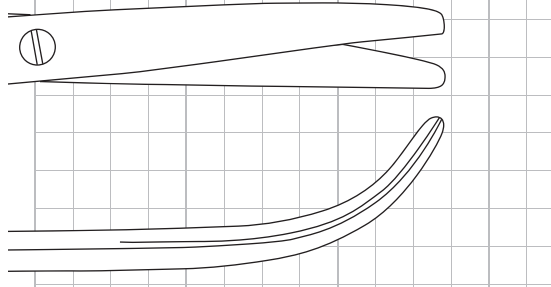
20,0cm; 8"

011-217-23



23,0cm; 9"

011-217-28

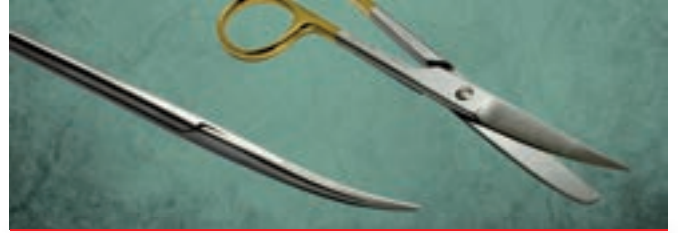


28,0cm; 11"

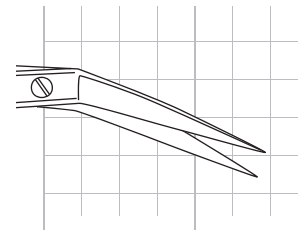
1/1 0 mm 20 mm 40 mm 60 mm

Irisscheren
Iris Scissors

Tijeras para iridectomía
Ciseaux à iridectomie
Forbici per iridectomia



Art.Nr.	Beschreibung Description	Size	Spez.
011-263-11		11,5cm; 4 1/2"	



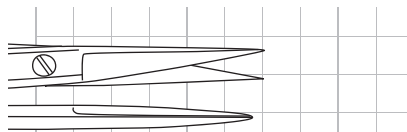
1/1 0 mm 20 mm

IRIS

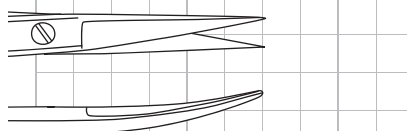
11,5cm; 4 1/2"



011-244-11



011-245-11



1/1 0 mm 20 mm 40 mm

011

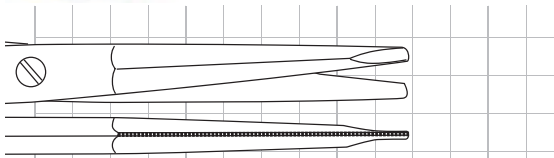
Face-Lift Scheren
Face-Lift Scissors
 Tijeras para Face-Lift
 Ciseaux pour Face-Lift
 Forbici per Face-Lift

Art.Nr. Beschreibung | Description Size Spez.

GORNEY

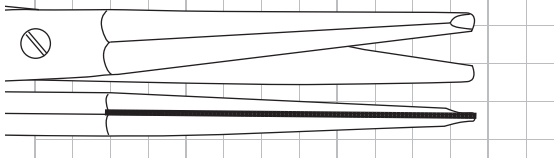


011-332-20



20,0cm; 8"

011-332-23



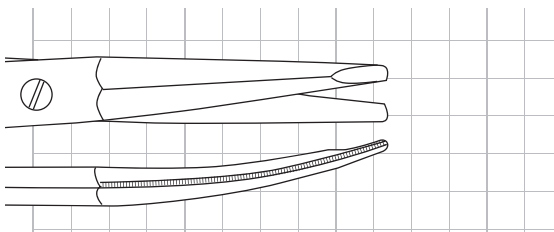
23,0cm; 9"

1/1 0 mm 20 mm 40 mm 60 mm

011-335-17

REES

17,0cm; 6 3/4"



1/1 0 mm 20 mm 40 mm 60 mm

011

Gefäßscheren
Vascular Scissors
 Tijeras vasculares
 Ciseaux vasculaires
 Forbici vasco



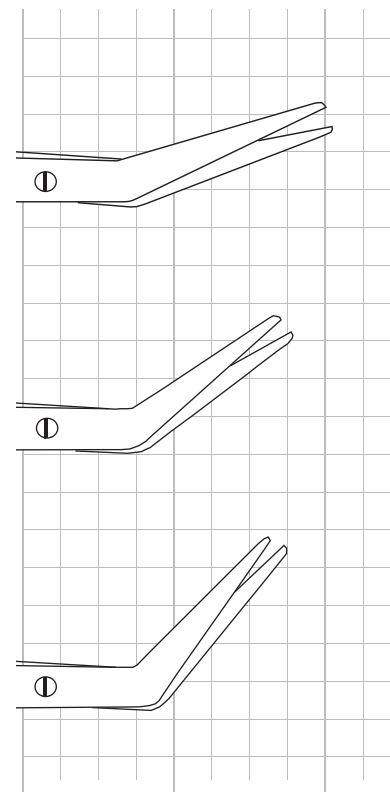
Art.Nr. **Beschreibung | Description** **Size** **Spez.**

DE BAKEY



011

	18,0cm; 7"	23,0cm; 9"
25°	011-543-25	011-545-25
45°	011-543-45	011-545-45
60°	011-543-60	011-545-60



1/1 0 mm 20 mm 40 mm

Gynäkologische Scheren; Chirurgische Scheren

Gynecological Scissors; Operating Scissors

Tijeras para ginecología; Tijeras quirúrgicas

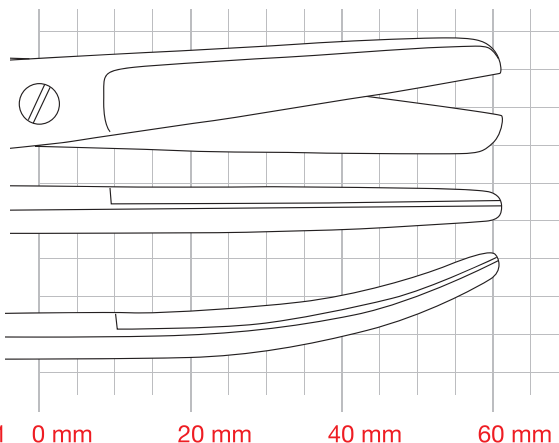
Ciseaux à gynécologie; Ciseaux chirurgicaux

Forbici per ginecologia; Forbici per chirurgia

Art.Nr.	Beschreibung Description	Size	Spez.
---------	----------------------------	------	-------

SIMS

23,0cm; 9"



011-600-23

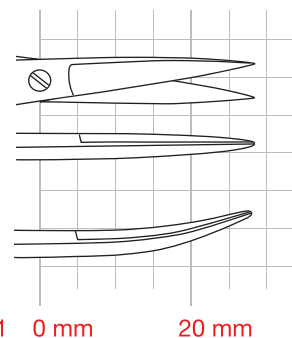
011-601-23

1/1 0 mm 20 mm 40 mm 60 mm

KELLY

16,0cm; 6 1/4"

Fistelscheren | Fistula Scissors | Tijeras para fistulas | Ciseaux pour des fistules | Forbici per fistole



011-634-16

011-635-16

1/1 0 mm 20 mm

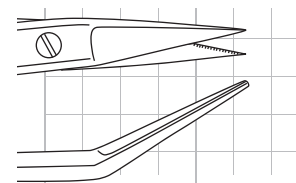
011

Zahnfleischscheren
Gum Scissors

Tijeras para encías
Ciseaux pour gencive
Forbici per gengiva



Art.Nr.	Beschreibung Description	Size	Spez.
011-893-17	DEAN	17,0cm; 6 3/4"	



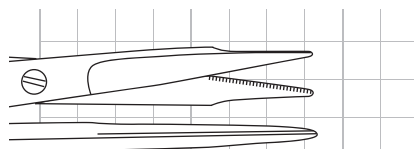
1/1 0 mm 20 mm

GOLDMANN-FOX

13,0cm; 5"



011-880-13



011-881-13



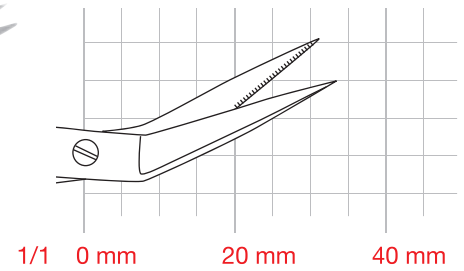
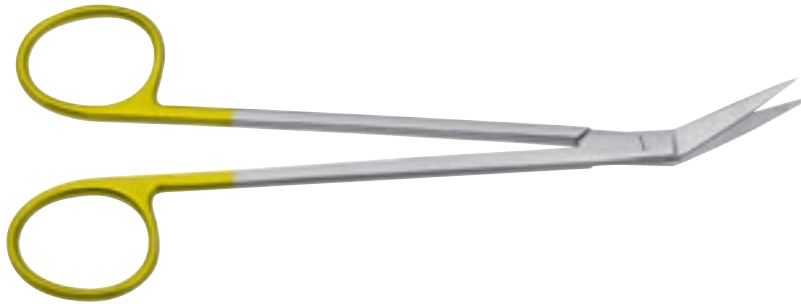
1/1 0 mm 20 mm 40 mm


011

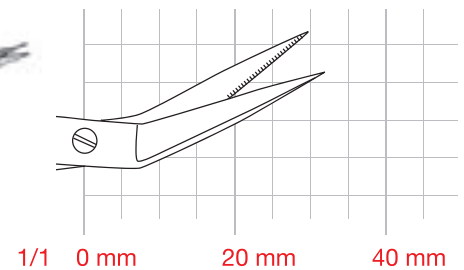
Zahnfleischscheren
Gum Scissors

Tijeras para encías
Ciseaux pour gencive
Forbici per gengiva

Art.Nr.	Beschreibung Description	Size	Spez.
011-890-16	LOCKLIN	16,0cm; 6 1/4"	

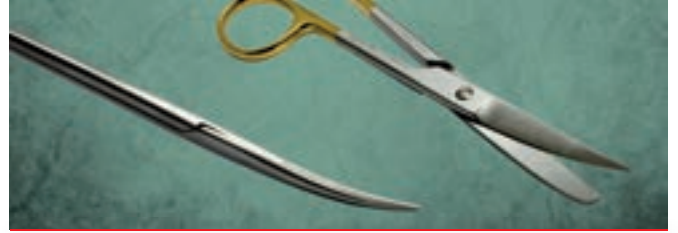


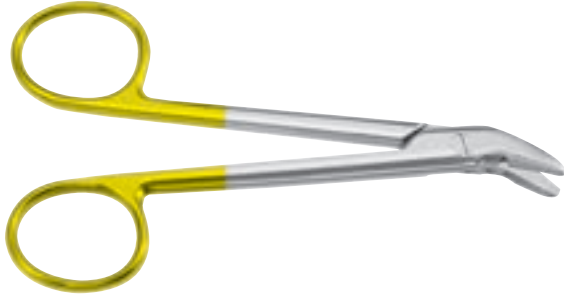

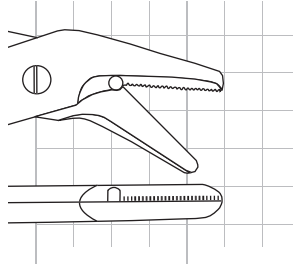
011-891-16	LOCKLIN	16,0cm; 6 1/4"	
------------	---------	----------------	---



Drahtscheren
Wire cutting Scissors

Tijeras corta alambres
Ciseaux coupe-fil
Forbici per filo metallico



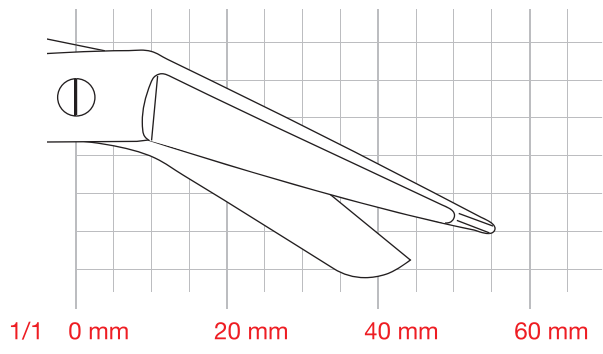
Art.Nr.	Beschreibung Description	Size	Spez.
011-800-12	UNIVERSAL 	12,0cm; 4 3/4"	  1/1 0 mm 20 mm

011

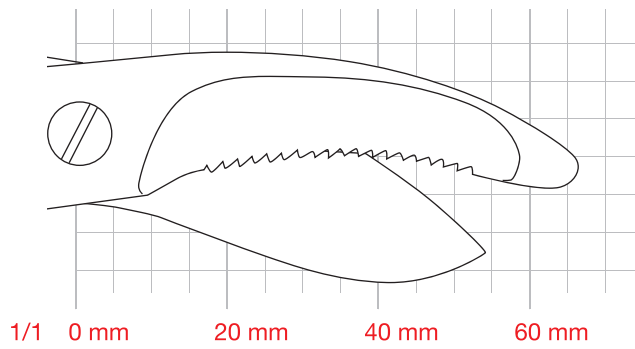
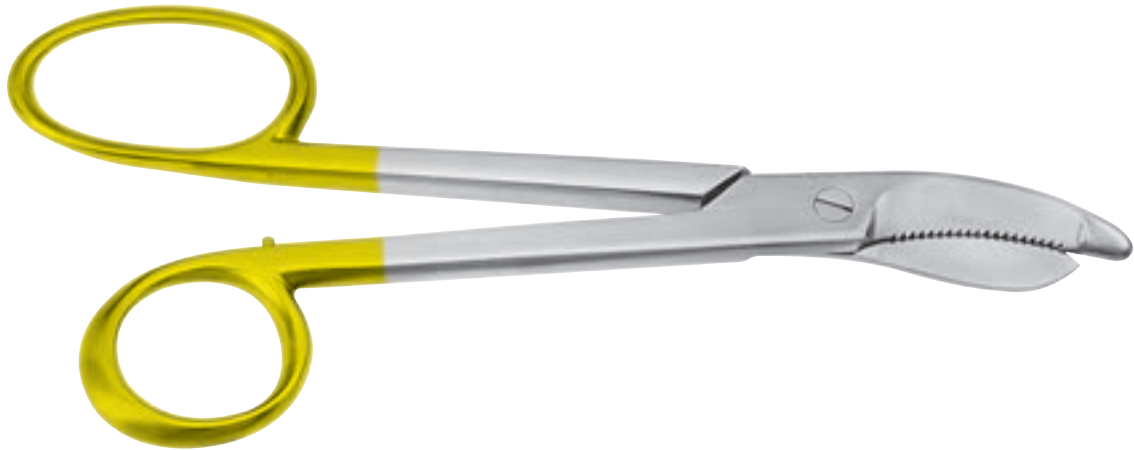
Verbandscheren; Gipsscheren
Bandage Scissors; Plaster shears

Tijeras para vendajes; Tijeras para yeso
 Ciseaux à pansements; Ciseaux pour plâtre
 Forbici per bendaggi; Forbici per gesso

Art.Nr.	Beschreibung Description	Size	Spez.
011-900-18	LISTER	18,0cm; 7"	



011-909-24	BRUNS	24,0cm; 9 1/2"	
------------	-------	----------------	---



011

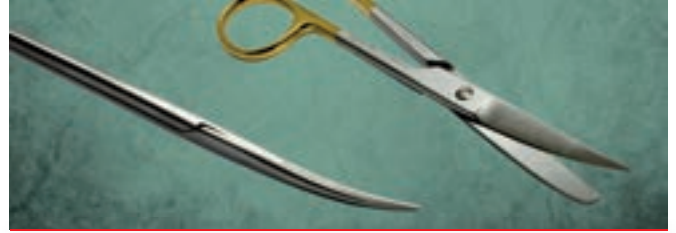
Weitere Artikel

further items

más artículos

plus d'articles

altri articoli



Art.Nr.	Beschreibung Description	Size	Spez.
Other items available but not illustrated			
011-000-16	TC STANDARD operating scissors straight; blunt/blunt	16,5cm; 6,6"	
011-000-18	TC STANDARD operating scissors straight; blunt/blunt	18,5cm; 7,4"	
011-001-16	TC STANDARD operating scissors; curved; blunt/blunt	16,5cm; 6,6"	
011-001-18	TC STANDARD operating scissors; curved; blunt/blunt	18,5cm; 7,4"	
011-002-16	TC STANDARD operating scissors; straight; sharp/blunt	16,5cm; 6,6"	
011-002-18	TC STANDARD operating scissors; straight; sharp/blunt	18,5cm; 7,4"	
011-003-16	TC STANDARD operating scissors; curved; sharp/blunt	16,5cm; 6,6"	
011-003-18	TC STANDARD operating scissors; curved; sharp/blunt	18,5cm; 7,4"	
011-004-16	TC STANDARD operating scissors; straight; sharp/sharp	16,5cm; 6,6"	
011-004-18	TC STANDARD operating scissors; straight; sharp/sharp	18,5cm; 7,4"	
011-005-16	TC STANDARD operating scissors curved; sharp/sharp	16,5cm; 6,6"	
011-005-18	TC STANDARD operating scissors curved; sharp/sharp	18,5cm; 7,4"	
011-101-17S	TC MAYO dissecting scissors; curved; blunt/blunt; serrated	17,0cm; 6,8"	
011-111-18SC	TC METZENBAUM dissecting scissors curved; blunt/blunt; SC	18,0cm; 7,2"	
011-115-20	TC METZENBAUM dissecting scissors curved; sharp/sharp	20,0cm; 8"	
011-115-23	TC METZENBAUM dissecting scissors curved; sharp/sharp	23,0cm; 9,2"	
011-115-25	TC METZENBAUM dissecting scissors curved; sharp/sharp	25,0cm; 10,0"	
011-120-20	TC METZENBAUM-FINO dissecting scissors straight; blunt/blunt	20,0cm; 8"	
011-120-23	TC METZENBAUM-FINO dissecting scissors straight; blunt/blunt	23,0cm; 9,2"	
011-120-25	TC METZENBAUM-FINO dissecting scissors straight; blunt/blunt	25,0cm; 10"	
011-121-16	TC METZENBAUM-FINO dissecting scissors curved; blunt/blunt	16,5cm; 6,6"	
011-124-18	TC METZENBAUM-FINO dissecting scissors straight; sharp/sharp	18,0cm; 7,2"	
011-124-20	TC METZENBAUM-FINO dissecting scissors straight; sharp/sharp	20,0cm; 8"	
011-124-23	TC METZENBAUM-FINO dissecting scissors straight; sharp/sharp	23,0cm; 9,2"	
011-125-18	TC METZENBAUM-FINO dissecting scissors curved; sharp/sharp	18,0cm; 7,2"	
011-125-20	TC METZENBAUM-FINO dissecting scissors curved; sharp/sharp	20,0cm; 8"	
011-125-23	TC METZENBAUM-FINO dissecting scissors curved; sharp/sharp	23,0cm; 9,2"	
011-125-30	TC METZENBAUM-FINO dissecting scissors curved; sharp/sharp	30,0cm; 12,0"	

011

Weitere Artikel**further items**

más artículos

plus d'articles

altri articoli

Art.Nr.	Beschreibung Description	Size	Spez.
Other items available but not illustrated			
011-129-18	TC METZENBAUM-FINO dissecting scissors S-shaped; sharp/sharp	18,0cm; 7,2"	
011-129-20	S-shaped; sharp/sharp	20,0cm; 8"	
011-129-23	S-shaped; sharp/sharp	23,0cm; 9,2"	
011-210-15	TC REYNOLDS dissecting scissors straight; sharp/sharp	15,0cm; 6"	
011-211-15	curved; blunt/blunt		
011-240-11	TC STRABISMUS delicate oper. scissors straight; blunt/blunt	11,5cm; 4,6"	
011-241-11	curved; blunt/blunt		
011-245-11S	TC IRIS delicate operating scissors curved; sharp/sharp; serrated	11,5cm; 4,6"	
011-250-11	straight; sharp/sharp; round shanks		
011-251-11	TC IRIS delicate operating scissors curved; sharp/sharp; round shanks	11,5cm; 4,6"	
011-257-11	TC LA GRANGE gum scissors; S-shaped; curved; 1 Blade serrated	11,5cm; 4,6"	
011-291-11	TC STEVENS tendon scissors curved; sharp/sharp	11,5cm; 4,6"	
011-294-11	straight; blunt/blunt		
011-295-11	curved; blunt/blunt		
011-511-16	TC COTTLE nasal scissors; angled; blunt/blunt	16,0cm; 6,4"	
011-548-24	TC POTTS DE MARTEL vascular scissors; angled	23,0cm; 9,2"	
011-550-12	TC HEGEMANN-DIETHRICH vascular scissors 125° angled; sharp/sharp	18,0cm; 7,2"	
011-550-25	25° angled; sharp/sharp		
011-550-45	45° angled; sharp/sharp		
011-550-60	60° angled; sharp/sharp		
011-550-90	90° angled; sharp/sharp		
011-551-25	TC POTTS-SMITH vascular scissors 25° angled; sharp/sharp	19,0cm; 7,6"	
011-551-40	40° angled; sharp/sharp		
011-551-60	TC POTTS-SMITH vascular scissors; 60° angled; sharp/sharp	19,0cm; 7,6"	

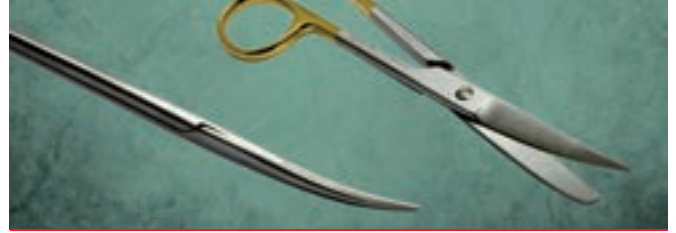
Weitere Artikel

further items

más artículos

plus d'articles

altri articoli



Art.Nr.	Beschreibung Description	Size	Spez.
Other items available but not illustrated			
011-600-20	TC SIMS gynecological scissors straight; blunt/blunt	20,0cm; 8"	
011-601-20	curved; blunt/blunt		
011-663-25	TC HYSTERECTOMY dissecting scissors; curved; blunt/blunt	25,5cm; 10,2"	
011-686-30	TC BLESSING rectum scissors; curved	30,0cm; 12"	
011-885-13	TC GOLDMAN-FOX gum scissors; S-shaped; sharp/sharp	13,0cm; 5,2"	

ALTO items



- 011-000-14ALTO
- 011-000-16ALTO
- 011-000-18ALTO
- 011-001-14ALTO
- 011-001-16ALTO
- 011-001-18ALTO
- 011-002-14ALTO
- 011-002-16ALTO
- 011-002-18ALTO
- 011-003-14ALTO
- 011-003-16ALTO
- 011-003-18ALTO
- 011-004-14ALTO
- 011-004-16ALTO
- 011-004-18ALTO
- 011-005-14ALTO
- 011-005-16ALTO
- 011-005-18ALTO
- 011-100-14ALTO
- 011-100-17ALTO
- 011-100-23ALTO
- 011-101-14ALTO
- 011-101-17ALTO
- 011-101-23ALTO
- 011-102-15ALTO
- 011-102-17ALTO
- 011-103-15ALTO
- 011-103-17ALTO
- 011-107-23ALTO
- 011-107-36ALTO
- 011-110-11ALTO
- 011-110-14ALTO
- 011-110-18ALTO
- 011-110-20ALTO
- 011-110-23ALTO
- 011-110-25ALTO
- 011-111-11ALTO
- 011-111-14ALTO
- 011-111-18ALTO
- 011-111-14ALTO
- 011-111-18ALTO
- 011-111-18ALTO
- 011-111-20ALTO
- 011-111-23ALTO
- 011-111-25ALTO
- 011-120-14ALTO
- 011-120-18ALTO
- 011-120-20ALTO
- 011-121-14ALTO
- 011-121-18ALTO
- 011-121-20ALTO
- 011-121-23ALTO
- 011-140-16ALTO
- 011-140-21ALTO
- 011-141-16ALTO
- 011-141-21ALTO
- 011-241-11ALTO
- 011-244-11ALTO
- 011-245-11ALTO
- 011-600-23ALTO
- 011-601-23ALTO
- 011-800-12ALTO
- 011-900-18ALTO
- 011-909-24ALTO

011

Super Cut

black

1.4021

serrated

curved

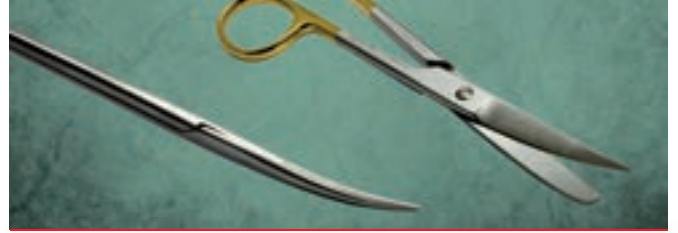
sharp

Super Cut Scheren
Super Cut Scissors

012

Super-Cut Scheren
Super-Cut Scissors

Super-Cut Tijeras
Super-cut Ciseaux
Super-cut Forbici



Super-Cut





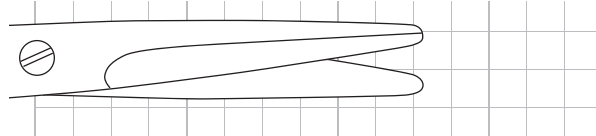
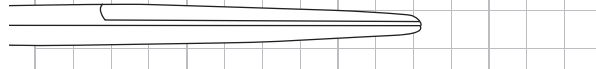

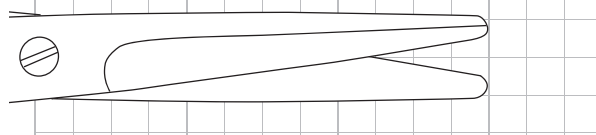
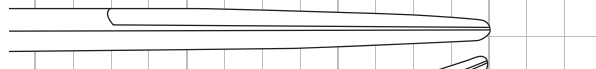
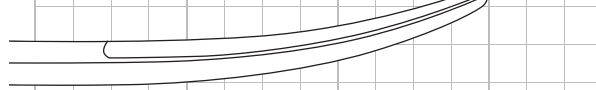
Schwarze Ringe
black-plated rings
anillos negros
anneaux noirs
anelli neri



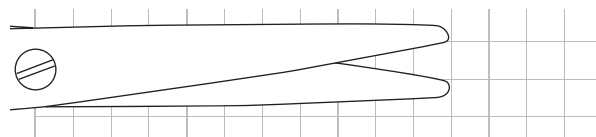

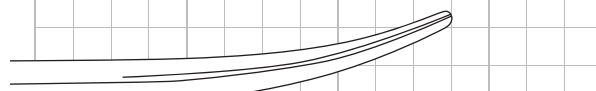
Messerschiff für optimalen Schnitt
knife edges for optimum cutting
corte tipo de bisturí para un corte óptimo
aiguisement tranchant et dents micro
affilatura a scalpello per un ottimo taglio

1 gezahntes Blatt verhindert das Herausgleiten des Gewebes
1 serrated blade prevents tissue from slipping out
1 hoja dentada impide el deslizamiento del tejido
una lama con dentura microuna lama con dentura micro impedisce di scivolare fuori dal tessuto.

Präparierscheren
Dissecting Scissors

Tijeras de disección
Ciseaux à dissection
Forbici per dissezione

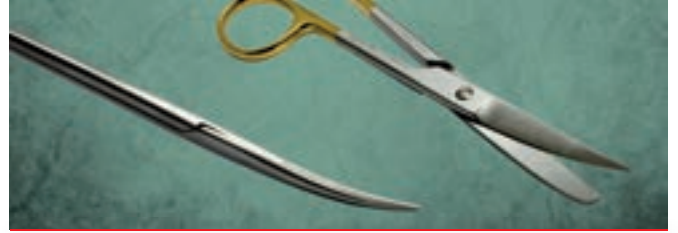
Art.Nr.	Beschreibung Description	Size	Spez.
	MAYO		
			
			
012-100-14		14,5cm; 5 3/4"	
012-101-14		14,5cm; 5 3/4"	
			
012-100-17		17,0cm; 6 3/4"	
012-101-17		17,0cm; 6 3/4"	
	1/1 0 mm 20 mm 40 mm 60 mm		

	MAYO-STILLE	17,0cm; 6 3/4"	
			
			
012-102-17			
012-103-17			
	1/1 0 mm 20 mm 40 mm 60 mm		

012

Präparierscheren
Dissecting Scissors

Tijeras de disección
Ciseaux à dissection
Forbici per dissezione



Art.Nr.	Beschreibung Description	Size	Spez.
---------	----------------------------	------	-------

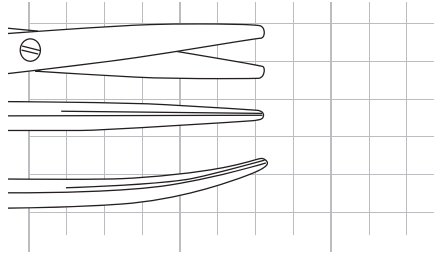
BABY-METZENBAUM

11,5cm; 4 1/2"



012-110-11

012-111-11



1/1 0 mm 20 mm 40 mm

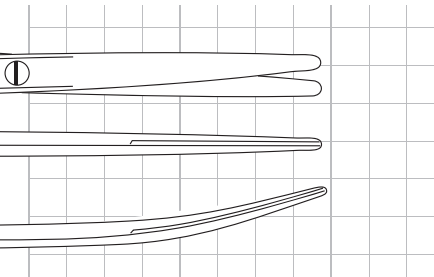
METZENBAUM

14,5cm; 5 3/4"



012-110-14

012-111-14



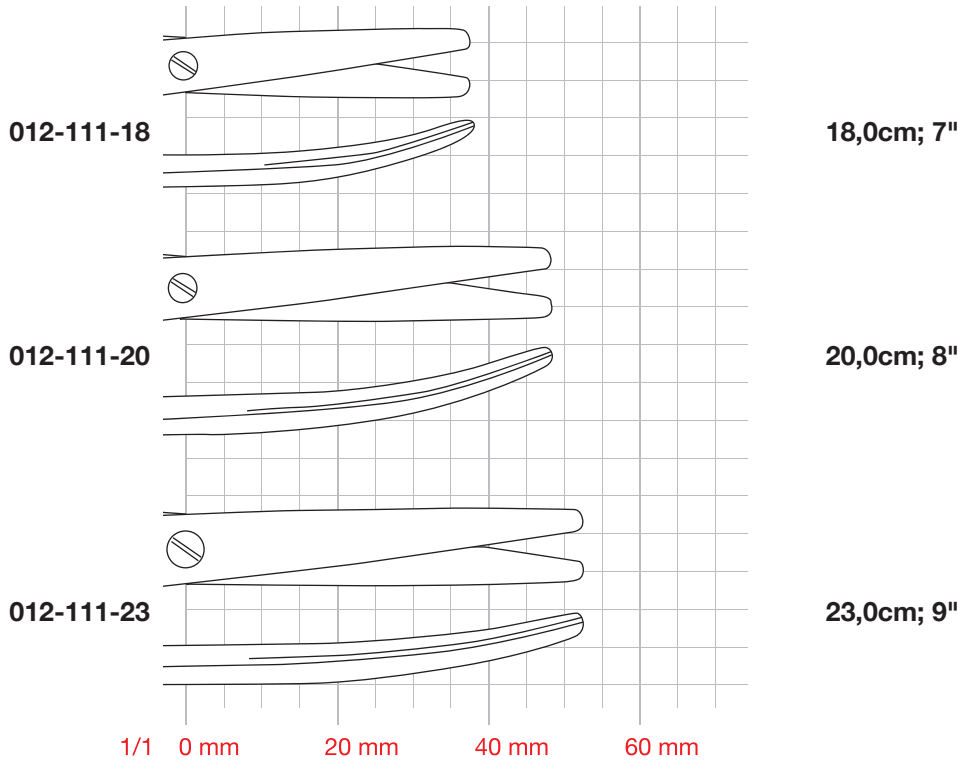
1/1 0 mm 20 mm 40 mm

012

Präparierscheren
Dissecting Scissors
 Tijeras de disección
 Ciseaux à dissection
 Forbici per dissezione

Art.Nr.	Beschreibung Description	Size	Spez.
---------	----------------------------	------	-------

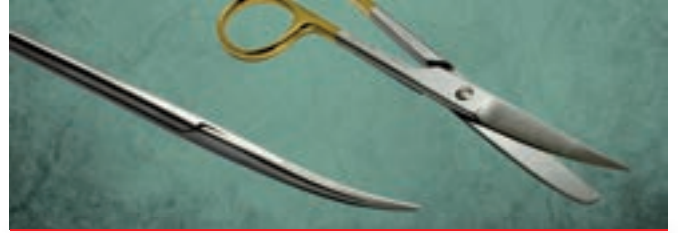
METZENBAUM-NELSON



012

Präparierscheren
Dissecting Scissors

Tijeras de disección
Ciseaux à dissection
Forbici per dissezione



Art.Nr.	Beschreibung Description	Size	Spez.
	METZENBAUM-FINO		
012-121-14		14,5cm; 5 3/4"	
012-121-18		18,0cm; 7"	
012-121-20		20,5cm; 8"	
012-121-23		23,0cm; 9"	
	1/1 0 mm 20 mm 40 mm 60 mm		

012

012-139-17	TOENNIS-ADSON	17,0cm; 6 3/4"	
		1/1 0 mm 20 mm 40 mm	

Irisscheren
Iris Scissors

Tijeras para iridectomía
Ciseaux à iridectomie
Forbici per iridectomia

Art.Nr.	Beschreibung Description	Size	Spez.
---------	----------------------------	------	-------

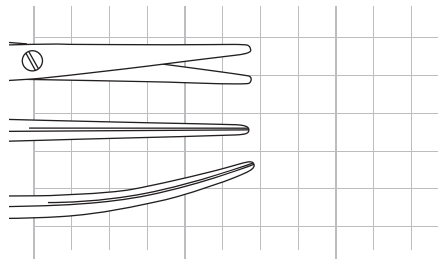
STRABISMUS

11,5cm; 4 1/2"



012-240-11

012-241-11



1/1 0 mm 20 mm 40 mm

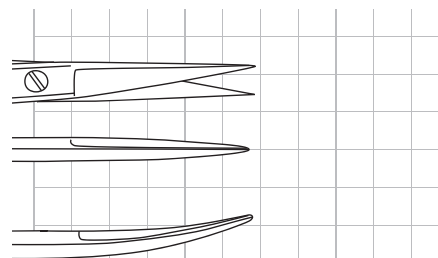
IRIS

11,5cm; 4 1/2"



012-244-11

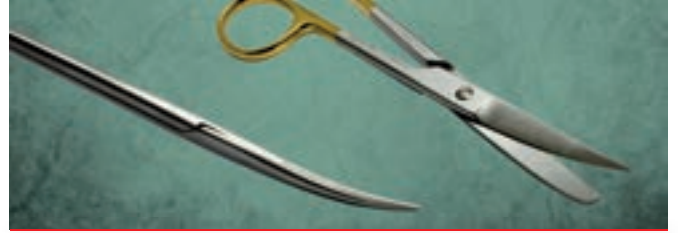
012-245-11



1/1 0 mm 20 mm 40 mm

012

Sehnenscheren; Gefäßscheren
Tendon Scissors; Vascular Scissors
 Tijeras para tendones; Tijeras vasculares
 Ciseaux à ténotomie; Ciseaux vasculaires
 Forbici pertenotomia; Forbici vasco



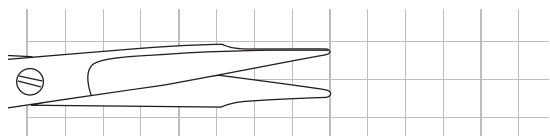
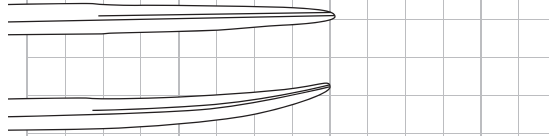




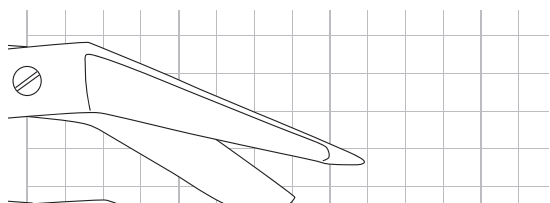
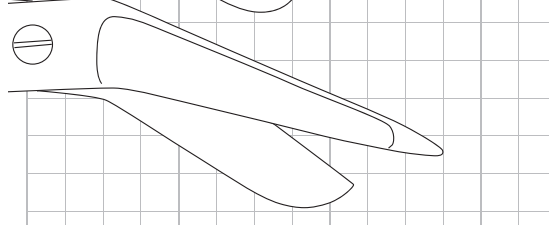
Art.Nr.	Beschreibung Description	Size	Spez.
	STEVENS	11,5cm; 4 1/2"	
012-290-11			
012-291-11			
	1/1 0 mm 20 mm		

	POTTS-SMITH	19,0cm; 7 1/2"	
012-551-25	25°		
012-551-45	45°		
012-551-60	60°		
	1/1 0 mm 20 mm		

012

Zahnfleischscheren; Verbandsscheren
Gum Scissors; Bandage Scissors
 Tijeras para encías; Tijeras para vendajes
 Ciseaux pour gencive; Ciseaux à pansements
 Forbici per gengiva; Forbici per bendaggi

Art.Nr.	Beschreibung Description	Size	Spez.
	GOLDMANN-FOX	13,0cm; 5"	
			
012-880-13			
012-881-13			
	1/1 0 mm 20 mm 40 mm 60 mm		

	LISTER		
			
012-900-14		14,0cm; 5 1/2"	
012-900-18		18,0cm; 7"	
	1/1 0 mm 20 mm 40 mm 60 mm		

012

Weitere Artikel**further items**

más artículos

plus d'articles

altri articoli



Art.Nr.	Beschreibung <i>Description</i>	Size	Spez.
Other items available but not illustrated			
	SC STANDARD operating scissors	14,5cm; 5,8"	
012-000-14	straight; blunt/blunt	14,5cm; 5,8"	
012-002-13	straight; sharp/blunt	13,0cm; 5,2"	
012-002-14	straight; sharp/blunt	14,5cm; 5,8"	
	SC MAYO dissecting scissors		
012-100-19	gerade, blunt/blunt	19,0cm; 7,6"	
012-100-23	straight; blunt/blunt	23,0cm; 9,2"	
012-101-19	curved; blunt/blunt	19,0cm; 7,6"	
012-101-23	curved; blunt/blunt	23,0cm; 9,2"	
	SC MAYO-STILLE dissecting scissors; curved; blunt/blunt	15,0cm; 6"	
	SC METZENBAUM dissecting scissors		
012-110-18	straight; blunt/blunt	18,0cm; 7,2"	
012-110-20	straight; blunt/blunt	20,0cm; 8"	
012-110-23	straight; blunt/blunt	23,0cm; 9,2"	
012-111-26	curved; blunt/blunt	26,0cm; 10,4"	
012-111-28	curved; blunt/blunt	28,0cm; 11,2"	
012-111-30	curved; blunt/blunt	30,0cm; 12,0"	
	SC METZENBAUM-FINO dissecting scissors; curved; blunt/blunt	28,0cm; 11,2"	
	SC KAYE Facelift scissors		
012-129-15	curved; blunt/blunt	15,0cm; 6"	
012-129-19	curved; blunt/blunt	19,0cm; 7,6"	
	SC JABALEY delicate operating scissors; straight; sharp/sharp	13,0cm; 5,2"	
	SC TOENNIS-ADSON dissecting scissors; curved	17,5cm; 7"	
	SC KILNER dissecting scissors		
012-201-12	curved; blunt/blunt	12,0cm; 4,8"	
012-201-18	curved, blunt/blunt	18,0cm; 7,2"	
	SC REYNOLDS dissecting scissors		
012-210-12	straight; sharp/sharp	12,0cm; 4,8"	
012-211-18	curved; sharp/sharp	18,0cm; 7,2"	
	SC JAMISON dissecting scissors; straight; blunt/blunt	15,0cm; 6"	

Weitere Artikel**further items**

más artículos

plus d'articles

altri articoli

Art.Nr.	Beschreibung <i>Description</i>	Size	Spez.
Other items available but not illustrated			
012-218-18	SC JAMISON dissecting scissors straight; blunt/blunt	18,0cm; 7,2"	
012-219-18	curved; blunt/blunt		
012-235-12	SC WAGNER dissecting scissors; curved; sharp/sharp	12,0cm; 4,8"	
012-244-09	SC IRIS delicate operating scissors straight; sharp/sharp	9,0cm; 3,6"	
012-245-10	curved; sharp/sharp	10,5cm; 4,2"	
012-257-11	SC LA GRANGE gum scissors; S-shaped; curved; 1 Blade serrated	11,5cm; 4,6"	
012-290-10	SC STEVENS tedon scissors; straight sharp/sharp	10,5cm; 4,2"	
012-294-10	straight; blunt/blunt		
012-343-15	SC FOMON nasal scissors; angled; blunt/blunt	13,5cm; 5,4"	
012-511-16	SC COTTLE nasal scissors; angled; blunt/blunt	16,0cm; 6,4"	
012-550-45	SC HEGEMANN-DIETHRICH vascular scissors 45° angled; sharp/sharp	19,0cm; 7,6"	
012-551-90	SC POTTS-SMITH vascular scissors; 90° angled; sharp/sharp	19,0cm; 7,6"	
012-562-17	SC FAVALORO vascular scissors; curved; 130°	17,0cm; 6,8"	
012-634-16	SC KELLY fistula scissors straight; sharp/sharp	16,0cm; 6,4"	
012-635-16	curved; sharp/sharp		
012-703-20	SC Episiotomy scissors; curved	20,0cm; 8"	
012-900-20	SC LISTER bandage scissors; angled	20,0cm; 8"	

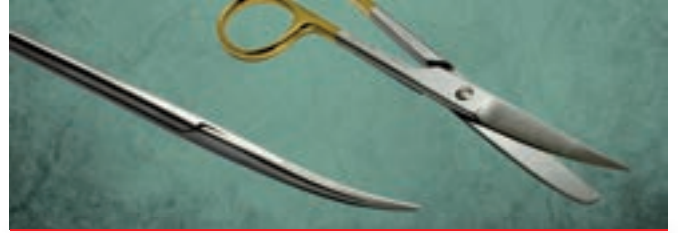
Weitere Artikel

further items

más artículos

plus d'articles

altri articoli

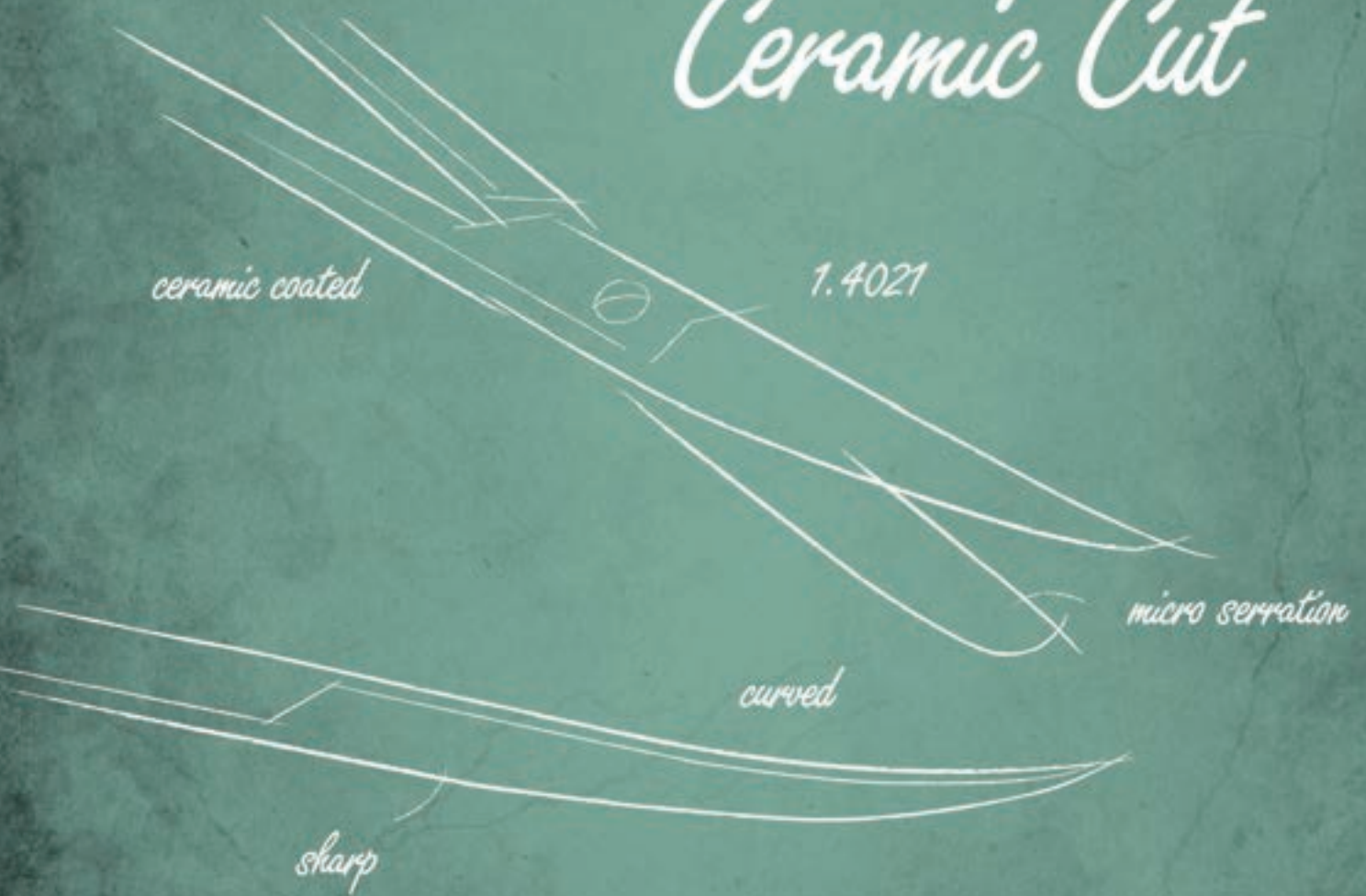


ALTO items



- 012-002-13ALTO
- 012-002-14ALTO
- 012-003-13ALTO
- 012-003-14ALTO
- 012-100-14ALTO
- 012-100-23ALTO
- 012-101-14ALTO
- 012-101-17ALTO
- 012-101-23ALTO
- 012-101-23ALTO
- 012-110-14ALTO
- 012-110-18ALTO
- 012-110-20ALTO
- 012-110-23ALTO
- 012-111-14ALTO
- 012-111-18ALTO
- 012-111-20ALTO
- 012-111-23ALTO
- 012-240-11ALTO
- 012-241-11ALTO
- 012-244-11ALTO
- 012-244-11ALTO
- 012-245-11ALTO

Ceramic Cut



Scheren mit Keramikbeschichtung
Scissors with Ceramic Coating

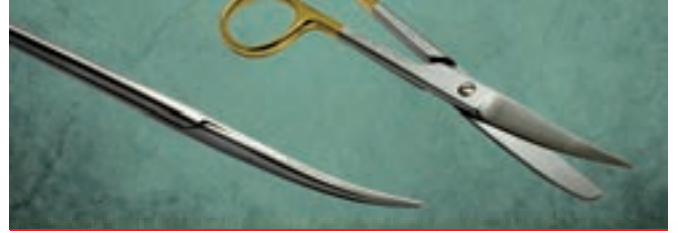
014

Scheren mit Keramikbeschichtung
Scissors with Ceramic Coating

Tijeras con revestimiento de cerámica

Ciseaux avec couche de céramique

Forbici rivestiti in ceramica



Ceramic Cut



Hervorragende Gleitfähigkeit
Excellent sliding capacity

Deslizamiento excelente
Glissement excellent
Eccellente scorrimento

Lange Schnitthaltigkeit
Long lasting cutting ability

Larga duración del corte
Longue durée de vie
Lunga durata

Blendfreie Oberfläche
Non-dazzling surface

Superficie antideslumbrante
Surface non-éblouissante
Superficie antiriflesso

Messerschiff und Mikroverzahnung
Knife edges and micro serration

Corte tipo bisturi y microdentado
Aiguisement tranchant et dents micro
Affilatura a scalpello e dentellatura micro

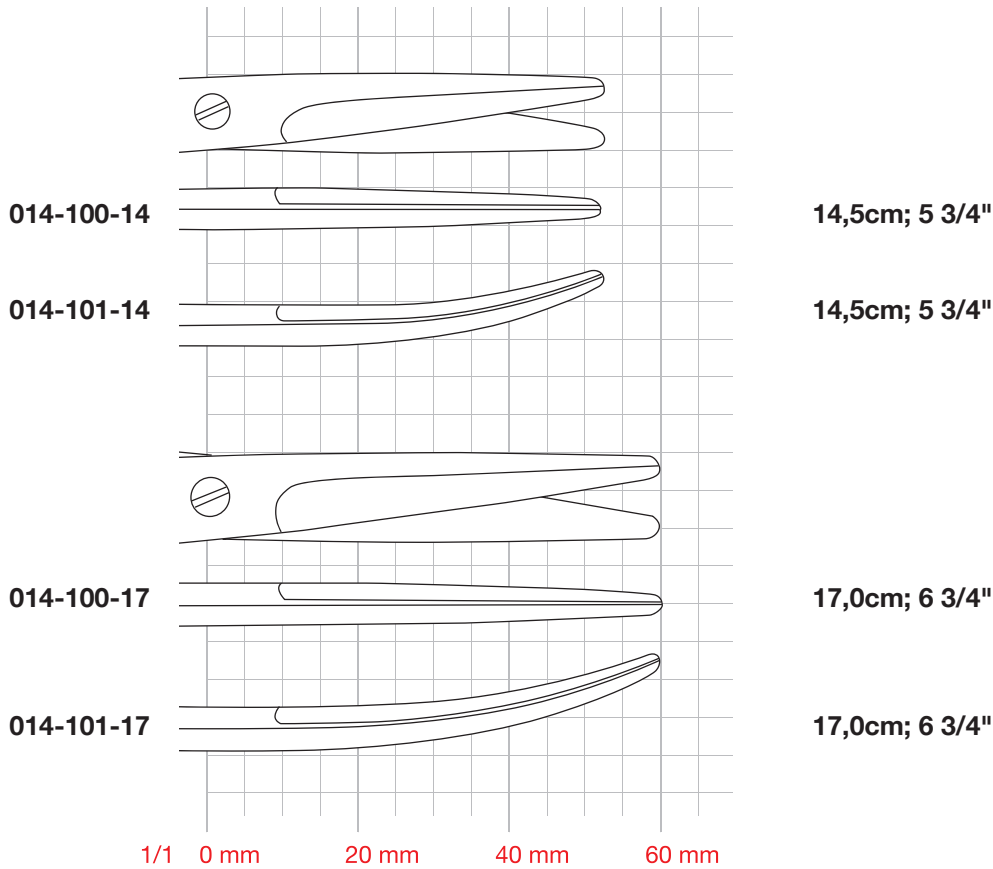
Eingeschweißte Hartmetallschneiden
Welded tungsten carbide cutting edges

Hojas soldadas de carburo de tungsteno
Lames soudées d'un alliage de carbure de tungstène
Lame saldate al carburo di tungsteno

Präparierscheren
Dissecting Scissors
 Tijeras de disección
 Ciseaux à dissection
 Forbici per dissezione

Art.Nr. Beschreibung | *Description* Size Spez.

MAYO



Präparierscheren; Irisscheren
Dissecting Scissors; Iris Scissors

Tijeras de disección; Tijeras para iridectomía
 Ciseaux à dissection; Ciseaux à iridectomie
 Forbici per dissezione; Forbici per iridectomia

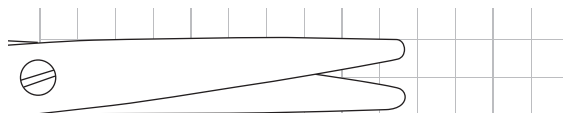


Art.Nr. Beschreibung | Description Size Spez.

MAYO-STILLE



014-102-15



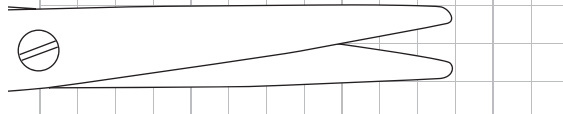
15,0cm; 6"

014-103-15



15,0cm; 6"

014-102-17



17,0cm; 6 3/4"

014-103-17

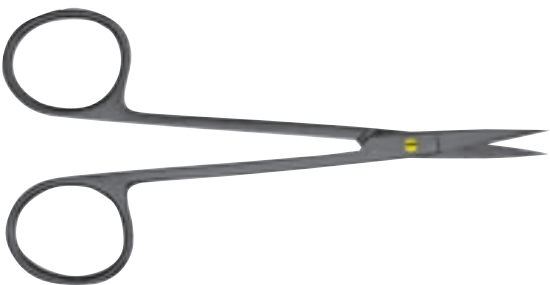


17,0cm; 6 3/4"

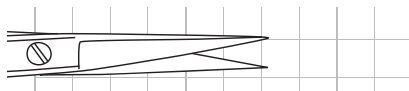
1/1 0 mm 20 mm 40 mm 60 mm

IRIS

11,5cm; 4 1/2"



014-244-11



014-245-11



1/1 0 mm 20 mm 40 mm

014

Präparierscheren
Dissecting Scissors

Tijeras de disección
Ciseaux à dissection
Forbici per dissezione

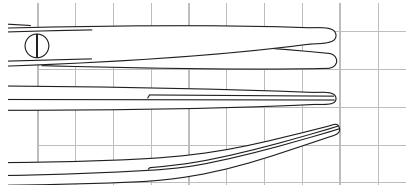
Art.Nr. Beschreibung | Description Size Spez.

METZENBAUM

14,5cm; 5 3/4"



014-110-14

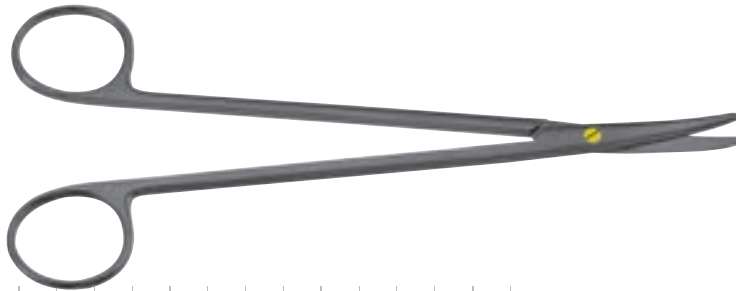


014-111-14

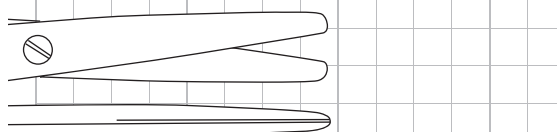


1/1 0 mm 20 mm 40 mm

METZENBAUM-NELSON



014-110-18



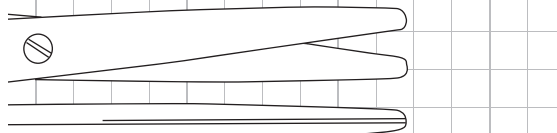
18,0cm; 7"

014-111-18



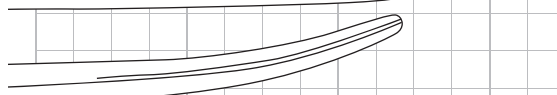
18,0cm; 7"

014-110-20



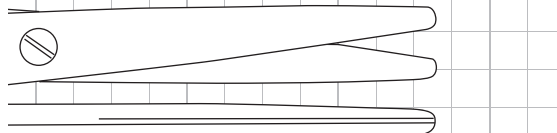
20,0cm; 8"

014-111-20



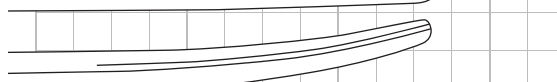
20,0cm; 8"

014-110-23



23,0cm; 9"

014-111-23



23,0cm; 9"

1/1 0 mm 20 mm 40 mm 60 mm

Präparierscheren
Dissecting Scissors

Tijeras de disección
Ciseaux à dissection
Forbici per dissezione

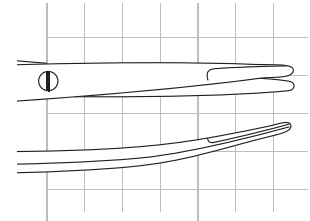


Art.Nr. Beschreibung | Description Size Spez.

014-201-12

KILNER

12,5cm; 5"



1/1 0 mm 20 mm

METZENBAUM-FINO



014-120-14

14,5cm; 5 3/4"

014-121-14

14,5cm; 5 3/4"

014-120-18

18,0cm; 7"

014-121-18

18,0cm; 7"

014-120-20

20,5cm; 8"

014-121-20

20,5cm; 8"

1/1 0 mm 20 mm 40 mm

014

Präparierscheren
Dissecting Scissors

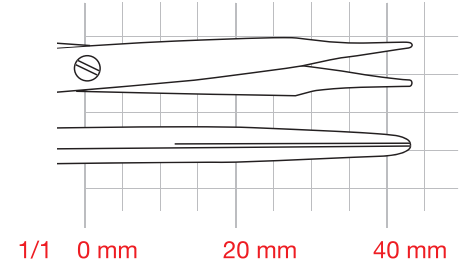
Tijeras de disección
 Ciseaux à dissection
 Forbici per dissezione

Art.Nr.	Beschreibung Description	Size	Spez.
---------	----------------------------	------	-------

014-210-15

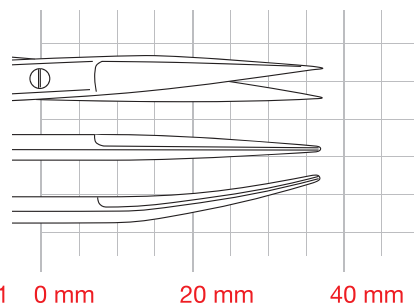
REYNOLDS

15,0cm; 6"



JOSEPH

14,0cm; 5 1/2"



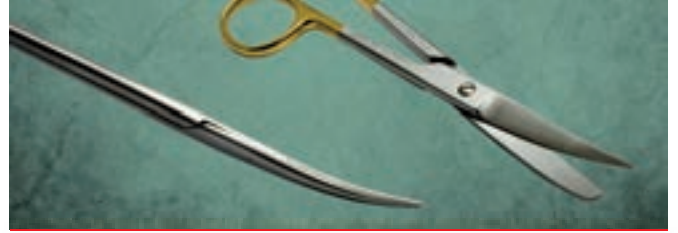
014-228-14

014-229-14

014

Chirurgische Scheren; Gefäßscheren
Operating Scissors; Vascular Scissors

Tijeras quirúrgicas; Tijeras vasculares
 Ciseaux chirurgicaux; Ciseaux vasculaires
 Forbici per chirurgia; Forbici vasco



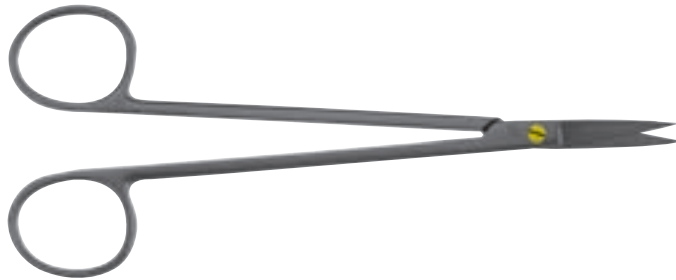
Art.Nr. **Beschreibung | Description** **Size** **Spez.**

KELLY

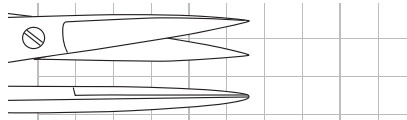
16,0cm; 6 1/4"



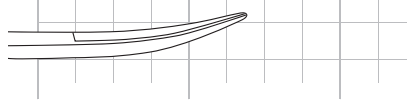
Fistelscheren | Fistula Scissors
 Tijeras para fistulas | Ciseaux pour des fistules | Forbici per fistole



014-634-16



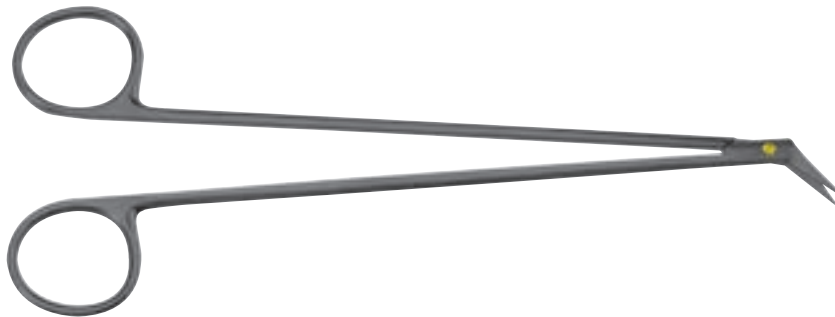
014-635-16



1/1 0 mm 20 mm 40 mm

DIETRICH-HEGEMANN

18,0cm; 7"



014-550-45



014-550-60



014-550-90



014-550-12



1/1 0 mm

014

Weitere Artikel**further items**

más artículos

plus d'articles

altri articoli

Art.Nr.	Beschreibung <i>Description</i>	Size	Spez.
Other items available but not illustrated			
	CC STANDARD operating scissors	14,5cm; 5,8"	
014-000-14	straight; blunt/blunt		
014-001-14	curved; blunt/blunt		
014-002-14	straight; sharp/blunt		
014-003-14	curved; sharp/blunt		
014-004-14	straight; sharp/sharp		
014-005-14	curved; sharp/sharp		
	CC MAYO dissecting scissors		
014-100-23	straight; blunt/blunt	23,0cm; 9,2"	
014-101-16	curved; blunt/blunt	16,0cm; 6,4"	
014-101-23	CC MAYO dissecting scissors; curved; blunt/blunt	23,0cm; 9,2"	
014-110-11	CC BABY-METZENBAUM dissecting scissors straight; blunt/blunt	17,0cm; 6,8"	
	CC METZENBAUM dissecting scissors		
014-110-25	straight; blunt/blunt	25,0cm; 10"	
014-110-28	straight; blunt/blunt	28,0cm; 11,2"	
014-110-30	straight; blunt/blunt	30,0cm; 12,0"	
014-111-11	CC BABY-METZENBAUM dissecting scissors curved; blunt/blunt	11,5cm; 4,6"	
	CC METZENBAUM dissecting scissors		
014-111-25	curved; blunt/blunt	25,0cm; 10"	
014-111-28	curved; blunt/blunt	28,0cm; 11,2"	
014-111-30	curved; blunt/blunt	30,0cm; 12,0"	
	CC METZENBAUM-FINO dissecting scissors		
014-120-23	straight; blunt/blunt	23,0cm; 9,2"	
014-120-25	straight; blunt/blunt	25,0cm; 10"	
014-120-28	straight; blunt/blunt	28,0cm; 11,2"	
014-121-23	curved; blunt/blunt	23,0cm; 9,2"	
014-121-25	curved; blunt/blunt	25,0cm; 10"	
014-121-28	curved; blunt/blunt	28,0cm; 11,2"	
014-127-18	s-shaped; curved; blunt/blunt	18,0cm; 7,2"	
014-127-20	s-shaped; curved; blunt/blunt	20,0cm; 8"	
014-127-23	s-shaped; curved; blunt/blunt	23,0cm; 9,2"	
014-139-17	CC TOENNIS-ADSON dissecting scissors; curved	17,5cm; 7"	
	CC LEXER dissecting scissors		
014-140-16	straight; blunt/blunt	16,0cm; 6,4"	
014-140-21	straight; blunt/blunt	21,0cm; 8,4"	
014-141-16	curved; blunt/blunt	16,0cm; 6,4"	
014-141-21	curved; blunt/blunt	21,0cm; 8,4"	

Weitere Artikel**further items**

más artículos

plus d'articles

altri articoli



Art.Nr.	Beschreibung Description	Size	Spez.
Other items available but not illustrated			
	CC KILNER dissecting scissors		
014-201-15	curved; blunt/blunt	15,0cm; 6"	
014-201-18	curved; blunt/blunt	18,0cm; 7,2"	
014-201-20	curved; blunt/blunt	20,0cm; 8"	
	CC THOREK dissecting scissors		
014-217-19	curved; blunt/blunt	19,0cm; 7,6"	
014-217-25	curved; blunt/blunt	25,0cm; 10"	
	CC Nerve dissecting scissors	15,0cm; 6"	
014-220-15	straight; sharp/sharp		
014-221-15	curved; sharp/sharp		
	CC IRIS fine operating scissors		
014-244-09	straight; sharp/sharp	9,0cm; 3,6"	
014-244-10	straight; sharp/sharp	10,5cm; 4,2"	
014-245-09	curved; sharp/sharp	9,0cm; 3,6"	
014-245-10	curved; sharp/sharp	10,5cm; 4,2"	
014-257-11	CC LA GRANGE scissors; s-shaped, 1 blade serrated	11,5cm; 4,6"	
014-263-11	CC IRIS fine operating scissors angled; sharp/sharp	11,5cm; 4,6"	
014-291-10	CC STEVENS tendon scissors curved; sharp/sharp	10,5cm; 4,2"	
	CC Gorney Supercut scissors		
014-471-18	curved	18,5cm; 7,4"	
014-473-23	curved	23,0cm; 9,2"	
	CC DE BAKEY vascular scissors		
014-540-25	25° curved	16,0cm; 6,4"	
014-540-45	45° curved	16,0cm; 6,4"	
014-540-60	60° curved	16,0cm; 6,4"	
014-543-25	25° curved	23,0cm; 9,2"	
014-543-45	45° curved	23,0cm; 9,2"	
014-543-60	60° curved	23,0cm; 9,2"	
	CC POTTS-SMITH vascular scissors	19,0cm; 7,6"	
014-551-25	25° curved; sharp/sharp		
014-551-40	45° curved; sharp/sharp		
014-551-60	60° curved; sharp/sharp		
	CC SIMS gynecological scissors		
014-600-23	straight; blunt/blunt	23,0cm; 9,2"	
014-601-20	curved; blunt/blunt	20,0cm; 8"	
014-601-23	curved; blunt/blunt	23,0cm; 9,2"	

Weitere Artikel

further items

más artículos

plus d'articles

altri articoli

Art.Nr.	Beschreibung <i>Description</i>	Size	Spez.
Other items available but not illustrated			
014-634-18	CC KELLY fistula scissors; straight; sharp/sharp	18,0cm; 7,2"	
014-703-20	CC episiotomy scissors; curved	20,0cm; 8"	
014-800-12	CC UNIVERSAL wire scissors; angled; 1 blade serrated	12,0cm; 4,8"	
014-900-18	CC LISTER bandage scissors; angled	18,0cm; 7,2"	
014-910-24	CC BRUNS bandage scissors; curved; smooth	24,0cm; 9,6"	
014-920-16	CC COTTLE scissors; curved; smooth	16,0cm 6,4"	



Alphabetisches Verzeichnis

A

ASTON, Face-lift Schere	010.46
Augenschere, GRAEFE.....	010.37
Augenschere, RIBBON.....	010.37
Augenschere, WILMER	010.36

B

BABY-LEXER, Präparierschere.....	010.25
BABY-METZENBAUM, Präparierschere.....	010.15
BABY-METZENBAUM, Präparierschere, SC.....	012.4
BABY-METZENBAUM, Präparierschere, TC	011.7
BEEBEE, Drahtschere	010.84
BERGMANN, Gipsschere.....	010.91
BOETTCHER, Tonsillenschere.....	010.58
BONN chirurgische Schere	010.38
BRAUN-STADLER, Dammschere.....	010.80
BROPHY (SULLIVAN), chirurgische Schere	010.40
BRUNS, Gipsschere.....	010.93
BRUNS, Gipsschere, TC	011.25
BUCK, Ligaturschere.....	010.49
BUSCH, Nabelschnurschere.....	010.82

C

CAPLAN, Nasenschere	010.57
CARTILAGE, Schere.....	010.57
chirurgische Schere.....	010.2 - 010.7
chirurgische Schere, BONN	010.38
chirurgische Schere, BROPHY (SULLIVAN).....	010.40
chirurgische Schere, DEEVER	010.8
chirurgische Schere, fein.....	010.33, 010.36, 010.39
chirurgische Schere, FERGUSSON.....	010.41
chirurgische Schere, GRAZIL	010.9
chirurgische Schere, LANDOLT.....	010.42
chirurgische Schere, MAYO	010.10
chirurgische Schere, MAYO, CC	014.3
chirurgische Schere, MAYO, SC.....	012.3
chirurgische Schere, MAYO, TC.....	011.4
chirurgische Schere, MAYO-STILLE	010.11- 010.12
chirurgische Schere, MAYO-STILLE, CC	014.4
chirurgische Schere, MAYO-STILLE, TC.....	011.5
chirurgische Schere, O'BRIEN	010.39
chirurgische Schere, RICHTER	010.41
chirurgische Schere, TC	011.3
chirurgische Schere, WAGNER, fein	010.34
CINELLI, Präparierschere.....	010.30
COTTLE, Nasenschere	010.55
CRAFOORD, Thoraxschere.....	010.67

D

Dammschere	010.79
Dammschere, BRAUN-STADLER.....	010.80
Dammschere, WALDMANN	010.79
DANDY, neurochirurgische Schere.....	010.52
Darmschere	010.75
DE BAKEY, Gefäßschere	010.60, 010.64, 010.65
DE BAKEY, Gefäßschere, TC.....	011.20

DEAN, Zahnfleischschere.....	010.85
DEAN, Zahnfleischschere, TC	011.22
DEEVER, chirurgische Schere	010.8
DIETRICH, Gefäßschere	010.64
DIETRICH-HEGEMANN, Gefäßschere	010.62
DIETRICH-HEGEMANN, Gefäßschere, CC	014.8
DOYEN, gynäkologische Schere.....	010.70
Drahtschere, BEEBEE	010.84
Drahtschere, UNIVERSAL	010.83
Drahtschere, UNIVERSAL, TC.....	011.24
DUBOIS, gynäkologische Schere	010.74
Duraschere, SCHMIEDEN-TAYLOR	010.52

E

EISELSBERG, Ligaturschere.....	010.51
Enukleationsschere	010.34
ESMARCH, Verbandschere.....	010.92

F

Face-lift Schere, ASTON	010.46
Face-lift Schere, GORNEY	010.45
Face-lift Schere, GORNEY, TC	011.19
Face-lift Schere, REES, TC	011.19
FAVALORO, neurochirurgische Schere	010.65
FERGUSSON, chirurgische Schere.....	010.41
FINOCHIETTO, Lungenschere	010.78
Fistelschere, KELLY	010.72
Fistelschere, KELLY, CC.....	014.8
Fistelschere, KELLY, TC.....	011.21
FOMON, Nasenschere	010.56
FOMON, Präparierschere	010.31

G

Gefäßschere	010.66- 010.67
Gefäßschere, DE BAKEY.....	010.60, 010.64, 010.65
Gefäßschere, DE BAKEY, TC.....	011.20
Gefäßschere, DIETRICH	010.64
Gefäßschere, DIETRICH-HEGEMANN	010.62
Gefäßschere, DIETRICH-HEGEMANN, CC	014.8
Gefäßschere, MC INDOE	010.61
Gefäßschere, POTTS-DE MARTEL	010.61
Gefäßschere, POTTS-SMITH	010.63
Gefäßschere, POTTS-SMITH, SC	012.8
Gipsschere	010.94
Gipsschere BRUNS, TC	011.25
Gipsschere, BERGMANN.....	010.91
Gipsschere, BRUNS.....	010.93
Gipsschere, SEUTIN.....	010.94
GOLDMANN-FOX, Zahnfleischschere	010.85
GOLDMANN-FOX, Zahnfleischschere, SC	012.9
GOLDMANN-FOX, Zahnfleischschere, TC.....	011.22
GOOD, Tonsillenschere	010.59
GORNEY, Face-lift Schere.....	010.45
GORNEY, Face-lift Schere, TC	011.19
GRAEFE, Augenschere.....	010.37
GRAZIL, chirurgische Schere	010.9

Alphabetisches Verzeichnis

gynäkologische Schere, DOYEN.....	010.70
gynäkologische Schere, DUBOIS.....	010.74
gynäkologische Schere, MAYO-NOBLE.....	010.13
gynäkologische Schere, SIEBOLD.....	010.71
gynäkologische Schere, SIMS.....	010.69
gynäkologische Schere, SIMS, TC.....	011.21
gynäkologische Schere, SIMS-SIEBOLD.....	010.71
gynäkologische Schere, WERTHEIM.....	010.73

H

HALLE, Nasenschere.....	010.56
HEATH, Ligaturschere.....	010.50
HEYMANN, Nasenschere.....	010.55

I

Inzisionsschere.....	010.40
Irisschere.....	010.35, 010.37
Irisschere.....	010.37
Irisschere, CC.....	014.4
Irisschere, MOD. BONN.....	010.38
Irisschere, SC.....	012.7
Irisschere, TC.....	011.18

J

JAMESON, Präparierschere.....	010.29
JOSEPH, Präparierschere.....	010.33
JOSEPH, Präparierschere, CC.....	014.7
JOSEPH, Präparierschere, TC.....	011.16

K

KAYE, Präparierschere.....	010.44
KELLY, Fistelschere.....	010.72
KELLY, Fistelschere, CC.....	014.8
KELLY, Fistelschere, TC.....	011.21
KILNER (RAGNELL), Präparierschere.....	010.28
KILNER, Präparierschere, CC.....	014.6
KIRSTEIN, Tonsillenschere.....	010.58
KLINGENBERG-LOTH, Thoraxschere.....	010.68
KNOWLES, Verbandschere.....	010.90

L

LA GRANGE, Zahnfleis schere.....	010.86
LANDOLT, chirurgische Schere.....	010.42
LEXER, Präparierschere.....	010.26
LEXER, Präparierschere, TC.....	011.15
LEXER-FINO, Präparierschere.....	010.25
Ligaturschere, BUCK.....	010.49
Ligaturschere, EISELSBERG.....	010.51
Ligaturschere, HEATH.....	010.50
Ligaturschere, LITTAUER.....	010.49
Ligaturschere, NORTHBENT.....	010.50
Ligaturschere, SPENCER.....	010.48
LINCOLN, neurochirurgische Schere.....	010.53
LISTER, Verbandschere.....	010.87- 010.88
LISTER, Verbandschere, SC.....	012.9
LISTER, Verbandschere, TC.....	011.25

LISTER-EXCENTRIC, Verbandschere.....	010.89
LITTAUER, Ligaturschere.....	010.49
LLOYD-DAVIES, Rektumschere.....	010.76
LOCKLIN, Zahnfleis schere.....	010.86
LOCKLIN, Zahnfleis schere, TC.....	011.23
LORENZ, Verbandschere.....	010.90
Lungenschere, FINOCCHIETTO.....	010.78
Lungenschere, POTTS-SMITH.....	010.67
Lungenschere, WILLAUER.....	010.78

M

MAYO, chirurgische Schere.....	010.10
MAYO, chirurgische Schere, CC.....	014.3
MAYO, chirurgische Schere, SC.....	012.3
MAYO, chirurgische Schere, TC.....	011.4
MAYO-HARRINGTON, Präparierschere.....	010.14
MAYO-LEXER, Präparierschere, TC.....	011.14
MAYO-NOBLE, gynäkologische Schere.....	010.13
MAYO-STILLE, chirurgische Schere.....	010.11, 010.12
MAYO-STILLE, chirurgische Schere, CC.....	014.4
MAYO-STILLE, chirurgische Schere, TC.....	011.5
MC INDOE, Gefäßschere.....	010.61
MC INDOE, Thoraxschere.....	010.66
METZENBAUM, Präparierschere.....	010.15, 010.18- 010.20
METZENBAUM, Präparierschere, CC.....	014.5
METZENBAUM, Präparierschere, SC.....	012.4- 012.5
METZENBAUM, Präparierschere, TC.....	011.7
METZENBAUM-FINO S, Präparierschere, TC.....	011.12
METZENBAUM-FINO, Präparierschere.....	010.20- 010.23
METZENBAUM-FINO, Präparierschere, CC.....	014.6
METZENBAUM-FINO, Präparierschere, SC.....	012.6
METZENBAUM-FINO, Präparierschere, TC.....	011.10- 011.11
METZENBAUM-LAHEY, Präparierschere.....	010.24
METZENBAUM-LAHEY, Präparierschere, TC.....	011.13
METZENBAUM-NELSON, Präparierschere.....	010.16- 010.19
METZENBAUM-NELSON, Präparierschere, CC.....	014.5
METZENBAUM-NELSON, Präparierschere, TC.....	011.8- 011.9
METZENBAUM-THOREK, Präparierschere, TC.....	011.17
MIXTER, Präparierschere.....	010.27
MOD. BONN, Irisschere.....	010.38
MOD. USA, Nabelschnurschere.....	010.81

N

Nabelschnurschere, BUSCH.....	010.82
Nabelschnurschere, MOD. USA.....	010.81
Nabelschnurschere, SCHUMACHER.....	010.81
Nasenschere, CAPLAN.....	010.57
Nasenschere, COTTLE.....	010.55
Nasenschere, FOMON.....	010.56
Nasenschere, HALLE.....	010.56
Nasenschere, HEYMANN.....	010.55
Nervpräparierschere.....	010.32
neurochirurgische Schere, DANDY.....	010.52
neurochirurgische Schere, FAVALORO.....	010.65
neurochirurgische Schere, LINCOLN.....	010.53
neurochirurgische Schere, LINCOLN.....	010.53



Alphabetisches Verzeichnis

neurochirurgische Schere, STRULLY 010.51
NORTHBENT, Ligaturschere 010.50

O

O'BRIEN, chirurgische Schere 010.39
OLIVECRONA, Trigemini-Schere 010.54

P

PARAMETRIUM, Schere, TC 011.6
PECK-JOSEPH, Präparierschere 010.46- 010.47
POTTS-DE MARTEL, Gefäßschere 010.61
POTTS-SMITH, Gefäßschere 010.63
POTTS-SMITH, Gefäßschere, SC 012.8
POTTS-SMITH, Lungenschere 010.67
Präparierschere 010.27, 010.47
Präparierschere, BABY-LEXER 010.25
Präparierschere, BABY-METZENBAUM 010.15
Präparierschere, BABY-METZENBAUM, SC 012.4
Präparierschere, BABY-METZENBAUM, TC 011.7
Präparierschere, CINELLI 010.30
Präparierschere, FOMON 010.31
Präparierschere, JAMESON 010.29
Präparierschere, JOSEPH 010.33
Präparierschere, JOSEPH, CC 014.7
Präparierschere, JOSEPH, TC 011.16
Präparierschere, KAYE 010.44
Präparierschere, KILNER (RAGNELL) 010.28
Präparierschere, KILNER, CC 014.6
Präparierschere, LEXER 010.26
Präparierschere, LEXER, TC 011.15
Präparierschere, LEXER-FINO 010.25
Präparierschere, MAYO-HARRINGTON 010.14
Präparierschere, MAYO-LEXER, TC 011.14
Präparierschere, METZENBAUM 010.15- 010.20
Präparierschere, METZENBAUM, CC 014.5
Präparierschere, METZENBAUM, SC 012.4- 012.5
Präparierschere, METZENBAUM, TC 011.7
Präparierschere, METZENBAUM-FINO 010.20- 010.23
Präparierschere, METZENBAUM-FINO S, TC 011.12
Präparierschere, METZENBAUM-FINO, CC 014.6
Präparierschere, METZENBAUM-FINO, SC 012.6
Präparierschere, METZENBAUM-FINO, TC 011.10- 011.11
Präparierschere, METZENBAUM-LAHEY 010.24
Präparierschere, METZENBAUM-LAHEY, TC 011.13
Präparierschere, METZENBAUM-NELSON 010.16- 010.19
Präparierschere, METZENBAUM-NELSON, CC 014.5
Präparierschere, METZENBAUM-NELSON, TC 011.8- 011.9
Präparierschere, METZENBAUM-THOREK, TC 011.17
Präparierschere, MIXTER 010.27
Präparierschere, Nerv- 010.32
Präparierschere, PECK-JOSEPH 010.46- 010.47
Präparierschere, RAGNELL, TC 011.16
Präparierschere, REYNOLDS 010.30
Präparierschere, REYNOLDS, CC 014.7
Präparierschere, SALYER 010.13
Präparierschere, SANVENERO 010.32

Präparierschere, SHEA VEIN GRAFT 010.29
Präparierschere, THOREK 010.31
Präparierschere, TOENNIS 010.44
Präparierschere, TOENNIS-ADSON 010.24
Präparierschere, TOENNIS-ADSON, SC 012.6
Präparierschere, TOENNIS-ADSON, TC 011.14
PRINCE, Tonsillenschere 010.59

R

RAGNELL, Präparierschere, TC 011.16
RECTAL, Rektumschere 010.77
REES, Face-lift Schere, TC 011.19
Rektumschere, LLOYD-DAVIES 010.76
Rektumschere, RECTAL 010.77
Rektumschere, STELZNER 010.77
REYNOLDS, Präparierschere 010.30
REYNOLDS, Präparierschere, CC 014.7
RIBBON, Augenschere 010.37
RICHTER, chirurgische Schere 010.41

S

SALYER Präparierschere 010.13
SANVENERO, Präparierschere 010.32
SATINSKY, Thoraxschere 010.68
Schere, Augen-, GRAEFE 010.37
Schere, Augen-, RIBBON 010.37
Schere, Augen-, WILMER 010.36
Schere, CARTILAGE 010.57
Schere, chirurgisch 010.2- 010.7
Schere, chirurgisch, BONN 010.38
Schere, chirurgisch, BROPHY (SULLIVAN) 010.40
Schere, chirurgisch, DEAVER 010.8
Schere, chirurgisch, fein 010.33, 010.36, 010.39
Schere, chirurgisch, fein, WAGNER 010.34
Schere, chirurgisch, FERGUSSON 010.41
Schere, chirurgisch, GRAZIL 010.9
Schere, chirurgisch, LANDOLT 010.42
Schere, chirurgisch, MAYO 010.10
Schere, chirurgisch, MAYO, CC 014.3
Schere, chirurgisch, MAYO, SC 012.3
SCHERE, chirurgisch, MAYO, TC 011.4
Schere, chirurgisch, MAYO-STILLE 010.11- 010.12
Schere, chirurgisch, MAYO-STILLE, CC 014.4
Schere, chirurgisch, MAYO-STILLE, TC 011.5
Schere, chirurgisch, O'BRIEN 010.39
Schere, chirurgisch, RICHTER 010.41
Schere, chirurgisch, TC 011.3
Schere, Damm- 010.79
Schere, Damm-, BRAUN-STADLER 010.80
Schere, Damm-, BRAUN-STADLER 010.80
Schere, Damm-, WALDMANN 010.79
Schere, Darm- 010.75
Schere, Draht-, BEEBEE 010.84
Schere, Draht-, UNIVERSAL 010.83
Schere, Draht-, UNIVERSAL, TC 011.24
Schere, Dura-, SCHMIEDEN-TAYLOR 010.52

Alphabetisches Verzeichnis

Schere, Eukleations-	010.34	Schere, neurochirurgisch, STRULLY	010.51
Schere, Face-lift, ASTON	010.46	Schere, PARAMETRIUM, TC	011.6
Schere, Face-lift, GORNEY	010.45	Schere, Präparier-	010.27, 010.47
Schere, Face-lift, GORNEY, TC	011.19	Schere, Präparier-, BABY-LEXER	010.25
Schere, Face-lift, REES, TC	011.19	Schere, Präparier-, BABY-METZENBAUM	010.15
Schere, Fistel-, KELLY	010.72	Schere, Präparier-, BABY-METZENBAUM, SC	012.4
Schere, Fistel-, KELLY, CC	014.8	Schere, Präparier-, BABY-METZENBAUM, TC	011.7
Schere, Fistel-, KELLY, TC	011.21	Schere, Präparier-, CINELLI	010.30
Schere, Gefäß-	010.66- 010.67	Schere, Präparier-, JAMESON	010.29
Schere, Gefäß-, DE BAKEY	010.60, 010.64- 010.65	Schere, Präparier-, JOSEPH	010.33
Schere, Gefäß-, DE BAKEY, TC	011.20	Schere, Präparier-, JOSEPH, CC	014.7
Schere, Gefäß-, DIETHRICH	010.64	Schere, Präparier-, JOSEPH, TC	011.16
Schere, Gefäß-, DIETHRICH-HEGEMANN	010.62	Schere, Präparier-, KAYE	010.44
Schere, Gefäß-, DIETHRICH-HEGEMANN, CC	014.8	Schere, Präparier-, KILNER (RAGNELL)	010.28
Schere, Gefäß-, MC INDOE	010.61	Schere, Präparier-, KILNER, CC	014.6
Schere, Gefäß-, POTTS-DE-MARTEL	010.61	Schere, Präparier-, LEXER	010.26
Schere, Gefäß-, POTTS-SMITH	010.63	Schere, Präparier-, LEXER, TC	011.15
Schere, Gefäß-, POTTS-SMITH, SC	012.8	Schere, Präparier-, LEXER-FINO	010.25
Schere, Gips-	010.94	Schere, Präparier-, MAYO-HARRINGTON	010.14
Schere, Gips-, BERGMANN	010.91	Schere, Präparier-, MAYO-LEXER, TC	011.14
Schere, Gips-, BRUNS	010.93	Schere, Präparier-, METZENBAUM	010.15, 010.18- 010.20
Schere, Gips-, BRUNS, TC	011.25	Schere, Präparier-, METZENBAUM, CC	014.5
Schere, Gips-, SEUTIN	010.94	Schere, Präparier-, METZENBAUM, SC	012.4- 012.5
Schere, gynäkologisch-, DOYEN	010.70	Schere, Präparier-, METZENBAUM, SC	012.5
Schere, gynäkologisch-, DUBOIS	010.74	Schere, Präparier-, METZENBAUM, TC	011.7
Schere, gynäkologisch-, MAYO-NOBLE	010.13	Schere, Präparier-, METZENBAUM-FINO	010.20- 010.23
Schere, gynäkologisch-, SIEBOLD	010.71	Schere, Präparier-, METZENBAUM-FINO S, TC	011.12
Schere, gynäkologisch-, SIMS	010.69	Schere, Präparier-, METZENBAUM-FINO, CC	014.6
Schere, gynäkologisch-, SIMS, TC	011.21	Schere, Präparier-, METZENBAUM-FINO, TC	011.10- 011.11
Schere, gynäkologisch-, SIMS-SIEBOLD	010.71	Schere, Präparier-, METZENBAUM-LAHEY	010.24
Schere, gynäkologisch-, WERTHEIM	010.73	Schere, Präparier-, METZENBAUM-LAHEY, TC	011.13
Schere, Inzisions-	010.40	Schere, Präparier-, METZENBAUM-NELSON	010.16- 010.19
Schere, Iris-	010.35, 010.37	Schere, Präparier-, METZENBAUM-NELSON, CC	014.5
Schere, Iris-, CC	014.4	Schere, Präparier-, METZENBAUM-NELSON, TC	011.8- 011.9
Schere, Iris-, MOD. BONN	010.38	Schere, Präparier-, METZENBAUM-THOREK, TC	011.17
Schere, Iris-, SC	012.7	Schere, Präparier-, MIXTER	010.27
Schere, Iris-, TC	011.18	Schere, Präparier-, Nerv-	010.32
Schere, Ligatur-, BUCK	010.49	Schere, Präparier-, PECK-JOSEPH	010.46- 010.47
Schere, Ligatur-, EISELSBERG	010.51	Schere, Präparier-, RAGNELL, TC	011.16
Schere, Ligatur-, HEATH	010.50	Schere, Präparier-, REYNOLDS	010.30
Schere, Ligatur-, LITTAUER	010.49	Schere, Präparier-, REYNOLDS, CC	014.7
Schere, Ligatur-, NORTHBENT	010.50	Schere, Präparier-, SALLYER	010.13
Schere, Ligatur-, SPENCER	010.48	Schere, Präparier-, SANVENERO	010.32
Schere, Lunge-, FINOCCHIETTO	010.78	Schere, Präparier-, SHEA VEIN GRAFT	010.29
Schere, Lunge-, POTTS-SMITH	010.67	Schere, Präparier-, THOREK	010.31
Schere, Lunge-, WILLAUER	010.78	Schere, Präparier-, THOREK	010.31
Schere, Nabelschnur-, BUSCH	010.82	Schere, Präparier-, TOENNIS	010.44
Schere, Nabelschnur-, MOD. USA	010.81	Schere, Präparier-, TOENNIS-ADSON	010.24
Schere, Nabelschnur-, SCHUMACHER	010.81	Schere, Präparier-, TOENNIS-ADSON, SC	012.6
Schere, Nasen-, CAPLAN	010.57	Schere, Präparier-, TOENNIS-ADSON, TC	011.14
Schere, Nasen-, FOMON	010.56	Schere, Rektum-, LLOYD-DAVIES	010.76
Schere, Nasen-, HALLE	010.56	Schere, Rektum-, RECTAL	010.77
Schere, Nasen-, HEYMANN	010.55	Schere, Rektum-, STELZNER	010.77
Schere, neurochirurgisch, DANDY	010.52	Schere, Sehne-, STEVENS	010.43
Schere, neurochirurgisch, FAVALORO	010.65	Schere, Strabismus	010.35
Schere, neurochirurgisch, LINCOLN	010.53	Schere, Strabismus-, SC	012.7



Alphabetisches Verzeichnis

Schere, Tenotomy, STEVENS, SC.....	012.8
Schere, Thorax-, KLINGENBERG-LOTH.....	010.68
Schere, Thorax-, MC INDOE.....	010.66
Schere, Thorax-, SATINSKY.....	010.68
Schere, Tonsillen-, BOETTCHER.....	010.58
Schere, Tonsillen-, GOOD.....	010.59
Schere, Tonsillen-, KIRSTEIN.....	010.58
Schere, Tonsillen-, PRINCE.....	010.59
Schere, Torax-, CRAFOORD.....	010.67
Schere, Trigemini-, OLIVECRONA.....	010.54
Schere, Verband-, ESMARCH.....	010.92
Schere, Verband-, KNOWLES.....	010.90
Schere, Verband-, LISTER.....	010.87- 010.88
Schere, Verband-, LISTER, SC.....	012.9
Schere, Verband-, LISTER, TC.....	011.25
Schere, Verband-, LISTER-EXCENTRIC.....	010.89
Schere, Verband-, LORENZ.....	010.90
Schere, Verband-, UNIVERSAL.....	010.95
Schere, Zahnfleisch-, DEAN.....	010.85
Schere, Zahnfleisch-, DEAN, TC.....	011.22
Schere, Zahnfleisch-, GOLDMANN-FOX.....	010.85
Schere, Zahnfleisch-, GOLDMANN-FOX, SC.....	012.9
Schere, Zahnfleisch-, GOLDMANN-FOX, TC.....	011.22
Schere, Zahnfleisch-, LA GRANGE.....	010.86
Schere, Zahnfleisch-, LOCKLIN.....	010.86
Schere, Zahnfleisch-, LOCKLIN, TC.....	011.23
Schere,Nasen-, COTTLE.....	010.55
Schere,Präparier-, FOMON.....	010.31
SCHMIEDEN-TAYLOR, Duraschere.....	010.52
SCHUMACHER, Nabelschnurschere.....	010.81
Sehnenschere, STEVENS.....	010.43
SEUTIN, Gipsschere.....	010.94
SHEA VEIN GRAFT, Präparierschere.....	010.29
SIEBOLD, gynäkologische Schere.....	010.71
SIMS, gynäkologische Schere.....	010.69
SIMS, gynäkologische Schere, TC.....	011.21
SIMS-SIEBOLD, gynäkologische Schere.....	010.71
SPENCER, Ligaturschere.....	010.48
STELZNER, Rektumschere.....	010.77
STEVENS, Sehenschere.....	010.43
STEVENS, Tenotomy Schere, SC.....	012.8
Strabismusschere.....	010.35
Strabismusschere, SC.....	012.7
STRULLY, neurochirurgische Schere.....	010.51

T	
Tenotomy Schere, STEVENS, SC.....	012.8
Thoraxschere, CRAFOORD.....	010.67
Thoraxschere, KLINGENBERG-LOTH.....	010.68
Thoraxschere, MC INDOE.....	010.66
Thoraxschere, SATINSKY.....	010.68
THOREK, Präparierschere.....	010.31
TOENNIS, Präparierschere.....	010.44
TOENNIS-ADSON, Präparierschere.....	010.24
TOENNIS-ADSON, Präparierschere, SC.....	012.6
TOENNIS-ADSON, Präparierschere, TC.....	011.14

Tonsillenschere, BOETTCHER.....	010.58
Tonsillenschere, GOOD.....	010.59
Tonsillenschere, KIRSTEIN.....	010.58
Tonsillenschere, PRINCE.....	010.59
Trigeminus-Schere, OLIVECRONA.....	010.54
UNIVERSAL, Drahtschere.....	010.83
UNIVERSAL, Drahtschere, TC.....	011.24
UNIVERSAL, Verbandschere.....	010.95

V	
Verbandschere, ESMARCH.....	010.92
Verbandschere, KNOWLES.....	010.90
Verbandschere, LISTER.....	010.87
Verbandschere, LISTER, SC.....	012.9
Verbandschere, LISTER, TC.....	011.25
Verbandschere, LISTER-EXCENTRIC.....	010.89
Verbandschere, LORENZ.....	010.90
Verbandschere, UNIVERSAL.....	010.95

W	
WAGNER, chirurgische Schere, fein.....	010.34
WALDMANN, Dammschere.....	010.79
WERTHEIM, gynäkologische Schere.....	010.73
WILLAUER, Lungenschere.....	010.78
WILMER, Augenschere.....	010.36

Z	
Zahnfleischschere, DEAN.....	010.85
Zahnfleischschere, DEAN, TC.....	011.22
Zahnfleischschere, GOLDMANN-FOX.....	010.85
Zahnfleischschere, GOLDMANN-FOX, SC.....	012.9
Zahnfleischschere, GOLDMANN-FOX, TC.....	011.22
Zahnfleischschere, LA GRANGE.....	010.86
Zahnfleischschere, LOCKLIN.....	010.86
Zahnfleischschere, LOCKLIN, TC.....	011.23

Index, alphabetical

A			
ASTON, face-lift scissors	010.46	
B			
BABY-METZENBAUM, dissecting scissors	010.15	
BABY-METZENBAUM, dissecting scissors, SC	012.4	
BABY-METZENBAUM, dissecting scissors, TC	011.7	
bandage scissors, ESMARCH	010.92	
bandage scissors, KNOWLES	010.90	
bandage scissors, LISTER	010.87- 010.88	
bandage scissors, LISTER, SC	012.9	
bandage scissors, LISTER, TC	011.25	
bandage scissors, LISTER-EXCENTRIC	010.89	
bandage scissors, LORENZ	010.90	
bandage scissors, UNIVERSAL	010.95	
BEEBEE, wire cutting scissors	010.84	
BERGMANN, plaster scissors	010.91	
BOETTCHE, tonsil scissors	010.58	
BONN, operating scissors	010.38	
BRAUN-STADLER, episiotomy scissors	010.80	
BROPHY (SULLIVAN), operating scissors	010.40	
BRUNS, plaster scissors	010.93	
BRUNS, plaster scissors, TC	011.25	
BUCK, ligature scissors	010.49	
BUSCH, umbilical scissors	010.82	
C			
CAPLAN, nasal scissors	010.57	
CARTILAGE scissors	010.57	
CINELLI, dissecting scissors	010.30	
COTTLE, nasal scissors	010.55	
CRAFOORD, lobectomy scissors	010.67	
D			
DANDY, neurosurgical scissors	010.52	
DE BAKEY, vascular scissors	010.60, 010.64- 010.65	
DE BAKEY, vascular scissors, TC	011.20	
DEAN, gum scissors	010.85	
DEAN, gum scissors, TC	011.22	
DEAVER, operating scissors	010.8	
DIETRICH, vascular scissors	010.64	
DIETRICH-HEGEMANN, vascular scissors	010.62	
DIETRICH-HEGEMANN, vascular scissors, CC	014.8	
dissecting scissors	010.27, 010.47	
dissecting scissors, BABY-METZENBAUM	010.15	
dissecting scissors, BABY-METZENBAUM, SC	012.4	
dissecting scissors, CINELLI	010.30	
dissecting scissors, FOMON	010.31	
dissecting scissors, JAMESON	010.29	
dissecting scissors, JOSEPH	010.33	
dissecting scissors, JOSEPH, CC	014.7	
dissecting scissors, JOSEPH, TC	011.16	
dissecting scissors, KAYE	010.44	
dissecting scissors, KILNER (RAGNELL)	010.28	
dissecting scissors, KILNER, CC	014.6	
dissecting scissors, LEXER	010.26	
dissecting scissors, LEXER, TC	011.15	
dissecting scissors, LEXER-BABY	010.25	
dissecting scissors, LEXER-FINO	010.25	
dissecting scissors, MAYO-LEXER, TC	011.14	
dissecting scissors, MAYO-STILLE, TC	011.5	
dissecting scissors, METZENBAUM	010.15, 010.18- 010.20	
dissecting scissors, METZENBAUM, CC	014.5	
dissecting scissors, METZENBAUM, SC	012.4	
dissecting scissors, METZENBAUM, TC	011.7	
dissecting scissors, METZENBAUM-BABY, TC	011.7	
dissecting scissors, METZENBAUM-FINO	010.21- 010.23	
dissecting scissors, METZENBAUM-FINO S	010.20	
dissecting scissors, METZENBAUM-FINO S, TC	011.12	
dissecting scissors, METZENBAUM-FINO, CC	014.6	
dissecting scissors, METZENBAUM-FINO, SC	012.6	
dissecting scissors, METZENBAUM-FINO, TC	011.10- 11.11	
dissecting scissors, METZENBAUM-LAHEY	010.24	
dissecting scissors, METZENBAUM-LAHEY, TC	011.13	
dissecting scissors, METZENBAUM-NELSON	010.16- 010.19	
dissecting scissors, METZENBAUM-NELSON, CC	014.5	
dissecting scissors, METZENBAUM-NELSON, SC	012.5	
dissecting scissors, METZENBAUM-NELSON, TC	011.8- 011.9	
dissecting scissors, METZENBAUM-THOREK, TC	011.17	
dissecting scissors, MIXTER	010.27	
dissecting scissors, nerve	010.32	
dissecting scissors, PECK-JOSEPH	010.46- 010.47	
dissecting scissors, POTTS-SMITH	010.67	
dissecting scissors, RAGNELL, TC	011.16	
dissecting scissors, REYNOLDS	010.30	
dissecting scissors, REYNOLDS, CC	014.7	
dissecting scissors, SANVENERO	010.32	
dissecting scissors, SHEA VEIN GRAFT	010.29	
dissecting scissors, THOREK	010.31	
dissecting scissors, TOENNIS	010.44	
dissecting scissors, TOENNIS-ADSON	010.24	
dissecting scissors, TOENNIS-ADSON, SC	012.6	
dissecting scissors, TOENNIS-ADSON, TC	011.14	
DOYEN, gynecological scissors	010.70	
DUBOIS, gynecological scissors	010.74	
dura scissors, SCHMIEDEN-TAYLOR	010.52	
E			
EISELSBERG, ligature scissors	010.51	
enterotomy scissors	010.75	
enucleation scissors	010.34	
episiotomy scissors	010.79	
episiotomy scissors, BRAUN-STADLER	010.80	
episiotomy scissors, WALDMANN	010.79	
ESMARCH, bandage scissors	010.92	
F			
face-lift scissors, ASTON	010.46	
face-lift scissors, GORNEY	010.45	
face-lift-scissors, GORNEY, TC	011.19	
face-lift-scissors, REES, TC	011.19	
FAVALORO, vascular scissors	010.65	



Index, alphabetical

FERGUSSON, operating scissors	010.41
FINOCHIETTO, lobectomy scissors	010.78
fistula scissors, KELLY	010.72
fistula scissors, KELLY, CC	014.8
fistula scissors, KELLY, TC	011.21
FOMON, dissecting scissors	010.31
FOMON, nasal scissors	010.56

G

GOLDMANN-FOX, gum scissors	010.85
GOLDMANN-FOX, gum scissors, SC	012.9
GOLDMANN-FOX, gum scissors, TC	011.22
GOOD, tonsil scissors	010.59
GORNEY, face-lift scissors	010.45
GORNEY, face-lift scissors, TC	011.19
GRAEFE, operating scissors	010.37
GRAZIL, operating scissors	010.9
gum scissors, DEAN	010.85
gum scissors, DEAN, TC	011.22
gum scissors, GOLDMANN-FOX	010.85
gum scissors, GOLDMANN-FOX, SC	012.9
gum scissors, GOLDMANN-FOX, TC	011.22
gum scissors, LA GRANGE	010.86
gum scissors, LOCKLIN	010.86
gum scissors, LOCKLIN, TC	011.23
gynecological scissors, DOYEN	010.70
gynecological scissors, DUBOIS	010.74
gynecological scissors, SIEBOLD	010.71
gynecological scissors, SIMS	010.69
gynecological scissors, SIMS, TC	011.21
gynecological scissors, SIMS-SIEBOLD	010.71
gynecological scissors, WERTHEIM	010.73

H

HALLE, nasal scissors	010.56
HEATH, ligature scissors	010.50
HEYMANN, nasal scissors	010.55

I

incision scissors	010.40
iris scissors	010.35, 010.37
iris scissors, CC	014.4
iris scissors, MOD. BONN	010.38
iris scissors, SC	012.7
iris scissors, TC	

J

JAMESON, dissecting scissors	010.29
JOSEPH, dissecting scissors	010.33
JOSEPH, dissecting scissors, CC	014.7
JOSEPH, dissecting scissors, TC	011.16

K

KAYE, dissecting scissors	010.44
KELLY, fistula scissors	010.72
KELLY, fistula scissors, CC	014.8

KELLY, fistula scissors, TC	011.21
KILNER (RAGNELL) dissecting scissors	010.28
KILNER, dissecting scissors, CC	014.6
KIRSTEIN, tonsil scissors	010.58
KLINKENBERGH-LOTH, vascular scissors	010.68
KNOWLES, bandage scissors	010.90

L

LA GRANGE, gum scissors	010.86
LANDOLT, operating scissors	010.42
LEXER, dissecting scissors	010.26
LEXER, dissecting scissors, TC	011.15
LEXER-BABY, dissecting scissors	010.25
LEXER-FINO, dissecting scissors	010.25
ligature scissors, BUCK	010.49
ligature scissors, EISELSBERG	010.51
ligature scissors, HEATH	010.50
ligature scissors, LITTAUER	010.49
ligature scissors, NORTHBENT	010.50
ligature scissors, SPENCER	010.48
LINCOLN, vascular scissors	010.53
LISTER, bandage scissors	010.87, 010.88
LISTER, bandage scissors, SC	012.9
LISTER, bandage scissors, TC	011.25
LISTER-EXCENTRIC, bandage scissors	010.89
LITTAUER, ligature scissors	010.49
LLOYD-DAVIS, lobectomy scissors	010.76
lobectomy scissors, CRAFOORD	010.67
lobectomy scissors, FINOCCHIETTO	010.78
lobectomy scissors, LLOYD-DAVIS	010.76
lobectomy scissors, STELZNER	010.77
lobectomy scissors, WILLAUER	010.78
LOCKLIN, gum scissors	010.86
LOCKLIN, gum scissors, TC	011.23
LORENZ, bandage scissors	010.90

M

MAYO, operating scissors	010.10
MAYO, operating scissors, CC	014.3
MAYO, operating scissors, SC	012.3
MAYO, operating scissors, TC	011.4
MAYO-HARRINGTON, operating scissors	010.14
MAYO-LEXER, dissecting scissors, TC	011.14
MAYO-NOBLE, operating scissors	010.13
MAYO-STILLE, operating scissors	010.11- 010.12
MAYO-STILLE, operating scissors, CC	014.4
MAYO-STILLE, operating scissors, TC	011.5
MC INDOE, vascular scissors	010.61, 010.66
METZENBAUM, dissecting scissors	010.15, 010.18-010.19
METZENBAUM, dissecting scissors, CC	014.5
METZENBAUM, dissecting scissors, SC	012.4- 012.5
METZENBAUM, dissecting scissors, TC	011.7
METZENBAUM-FINO dissecting scissors	010.21- 010.23
METZENBAUM-FINO S, dissecting scissors	010.20
METZENBAUM-FINO S, dissecting scissors, TC	011.12
METZENBAUM-FINO, dissecting scissors, CC	014.6

Index, alphabetical

METZENBAUM-FINO, dissecting scissors, SC	012.6
METZENBAUM-FINO, dissecting scissors, TC....	011.10- 011.11
METZENBAUM-LAHEY, dissecting scissors.....	010.24
METZENBAUM-LAHEY, dissecting scissors, TC	011.13
METZENBAUM-NELSON, dissecting scissors	010.16- 010.19
METZENBAUM-NELSON, dissecting scissors, CC	014.5
METZENBAUM-NELSON, dissecting scissors, TC..	011.8- 011.9
METZENBAUM-THOREK, dissecting scissors, TC.....	011.17
MIXTER, dissecting scissors	010.27
MOD. BONN, iris scissors	010.38
MOD. USA, umbilical scissors	010.81

N

nasal scissors, CAPLAN.....	010.57
nasal scissors, COTTLE	010.55
nasal scissors, FOMON.....	010.56
nasal scissors, HALLE.....	010.56
nasal scissors, HEYMANN	010.55
nerve dissecting scissors	010.32
neurosurgical scissors, DANDY	010.52
neurosurgical scissors, STRULLY	010.51
NORTHBENT, ligature scissors	010.50

O

O'BRIEN, operating scissors.....	010.39
OLIVECRONA, trigeminal scissors.....	010.54
operating scissors	010.2- 010.7
operating scissors, BONN.....	010.38
operating scissors, BROPHY (SULLIVAN)	010.40
operating scissors, DEEVER	010.8
operating scissors, FERGUSSON	010.41
operating scissors, fine	010.33, 010.36, 010.39
operating scissors, fine, WAGNER.....	010.34
operating scissors, GRAEFE	010.37
operating scissors, GRAZIL	010.9
operating scissors, LANDOLT	010.42
operating scissors, MAYO	010.10
operating scissors, MAYO, CC.....	014.3
operating scissors, MAYO, SC	012.3
operating scissors, MAYO, TC	011.4
operating scissors, MAYO-HARRINGTON	010.14
operating scissors, MAYO-NOBLE	010.13
operating scissors, MAYO-STILLE.....	010.11- 010.12
operating scissors, MAYO-STILLE, CC.....	014.4
operating scissors, O'BRIEN.....	010.39
operating scissors, RIBBON	010.37
operating scissors, RICHTER.....	010.41
operating scissors, SALYER.....	010.13
operating scissors, TC	011.3
operating scissors, WILMER.....	010.36

P

PARAMETRIUM, scissors, TC	011.6
PECK-JOSEPH, dissecting scissors	010.46- 010.47
plaster scissors	010.94
plaster scissors, BERGMANN.....	010.91

plaster scissors, BRUNS.....	010.93
plaster scissors, BRUNS, TC	011.25
plaster scissors, SEUTIN.....	010.94
POTTS-DE MARTEL, vascular scissors	010.61
POTTS-SMITH, vascular scissors	010.63
POTTS-SMITH, vascular scissors, SC	012.8
POTTS-SMITH, dissecting scissors	010.67
PRINCE, tonsil scissors.....	010.59

R

RAGNELL, dissecting scissors, TC	011.16
RECTAL, rectal scissors	010.77
REES, face-lift scissors, TC	011.19
REYNOLDS, dissecting scissors.....	010.30
REYNOLDS, dissecting scissors, CC.....	014.7
RIBBON, operating scissors	010.37
RICHTER, operating scissors.....	010.41

S

SALYER, operating scissors.....	010.13
SANVENERO, dissecting scissors	010.32
SATINSKY, vascular scissors	010.68
SCHMIEDEN-TAYLOR, dura scissors	010.52
SCHUMACHER, umbilical scissors.....	010.81
scissors, bandage, ESMARCH	010.92
scissors, bandage, KNOWLES.....	010.90
scissors, bandage, LISTER	010.87- 010.88
scissors, bandage, LISTER, SC	012.9
scissors, bandage, LISTER, TC.....	011.25
scissors, bandage, LISTER-EXCENTRIC	010.89
scissors, bandage, LORENZ	010.90
scissors, bandage, UNIVERSAL.....	010.95
scissors, CARTILAGE.....	010.57
scissors, dissecting	010.27, 010.47
scissors, dissecting, BABY-METZENBAUM	010.15
scissors, dissecting, BABY-METZENBAUM, SC.....	012.4
scissors, dissecting, CINELLI.....	010.30
scissors, dissecting, FOMON.....	010.31
scissors, dissecting, JAMESON.....	010.29
scissors, dissecting, JOSEPH.....	010.33
scissors, dissecting, JOSEPH, CC.....	014.7
scissors, dissecting, JOSEPH, TC	011.16
scissors, dissecting, KAYE	010.44
scissors, dissecting, KILNER (RAGNELL)	010.28
scissors, dissecting, KILNER, CC	014.6
scissors, dissecting, LEXER.....	010.26
scissors, dissecting, LEXER, TC	011.15
scissors, dissecting, LEXER-BABY	010.25
scissors, dissecting, LEXER-FINO	010.25
scissors, dissecting, MAYO-LEXER, TC.....	011.14
scissors, dissecting, METZENBAUM	010.15, 010.18- 010.20
scissors, dissecting, METZENBAUM, CC.....	014.5
scissors, dissecting, METZENBAUM, SC	012.4
scissors, dissecting, METZENBAUM, TC	011.7
scissors, dissecting, METZENBAUM-BABY, TC.....	011.7
scissors, dissecting, METZENBAUM-FINO	010.21- 010.23



Index, alphabetical

scissors, dissecting, METZENBAUM-FINO S	010.20	scissors, iris, CC.....	014.4
scissors, dissecting, METZENBAUM-FINO S, TC	011.12	scissors, iris, MOD. BONN	010.38
scissors, dissecting, METZENBAUM-FINO, CC	014.6	scissors, iris, SC.....	012.7
scissors, dissecting, METZENBAUM-FINO, SC	012.6	scissors, iris, TC	011.18
scissors, dissecting, METZENBAUM-FINO, TC... 011.10- 011.11		scissors, ligature, BUCK.....	010.49
scissors, dissecting, METZENBAUM-LAHEY	010.24	scissors, ligature, EISELSBERG.....	010.51
scissors, dissecting, METZENBAUM-LAHEY, TC	011.13	scissors, ligature, HEATH	010.50
scissors, dissecting, METZENBAUM-NELSON	010.16	scissors, ligature, LITTAUER	010.49
scissors, dissecting, METZENBAUM-NELSON ... 010.16- 010.19		scissors, ligature, NORTHBENT.....	010.50
scissors, dissecting, METZENBAUM-NELSON, CC	014.5	scissors, ligature, SPENCER.....	010.48
scissors, dissecting, METZENBAUM-NELSON, SC	012.5	scissors, lobectomy, CRAFOORD.....	010.67
scissors, dissecting, METZENBAUM-NELSON, TC 011.8- 011.9		scissors, lobectomy, FINOCHIETTO	010.78
scissors, dissecting, METZENBAUM-THOREK, TC.....	011.17	scissors, lobectomy, LLOYD-DAVIS.....	010.76
scissors, dissecting, MIXTER.....	010.27	scissors, lobectomy, STELZNER.....	010.77
scissors, dissecting, nerve	010.32	scissors, lobectomy, WILLAUER.....	010.78
scissors, dissecting, PECK-JOSEPH..... 010.46- 010.47		scissors, nasal, CAPLAN.....	010.57
scissors, dissecting, POTTS-SMITH	010.67	scissors, nasal, COTTLE	010.55
scissors, dissecting, RAGNELL, TC	011.16	scissors, nasal, FOMON.....	010.56
scissors, dissecting, REYNOLDS	010.30	scissors, nasal, HALLE.....	010.56
scissors, dissecting, REYNOLDS, CC.....	014.7	scissors, nasal, HEYMANN	010.55
scissors, dissecting, SANVENERO	010.32	scissors, neurosurgical, DANDY	010.52
scissors, dissecting, SHEA VEIN GRAFT.....	010.29	scissors, neurosurgical, STRULLY	010.51
scissors, dissecting, THOREK.....	010.31	scissors, operating	010.2- 010.7
scissors, dissecting, TOENNIS.....	010.44	scissors, operating BONN.....	010.38
scissors, dissecting, TOENNIS-ADSON.....	010.24	scissors, operating, BROPHY(SULLIVAN)	010.40
scissors, dissecting, TOENNIS-ADSON, TC.....	011.14	scissors, operating, DEAVER	010.8
scissors, dura, SCMIEDEN-TAYLOR.....	010.52	scissors, operating, FERGUSSON	010.41
scissors, enterotomy	010.75	scissors, operating, fine	010.33, 010.36, 010.39
scissors, enucleation.....	010.34	scissors, operating, fine, WAGNER.....	010.34
scissors, episiotomy.....	010.79	scissors, operating, GRAEFE	010.37
scissors, episiotomy, BRAUN-STADLER	010.80	scissors, operating, LANDOLT	010.42
scissors, episiotomy, WALDMANN	010.79	scissors, operating, MAYO.....	010.10
scissors, face-lift, ASTON	010.46	scissors, operating, MAYO, CC.....	014.3
scissors, face-lift, GORNEY	010.45	scissors, operating, MAYO, SC.....	012.3
scissors, face-lift, GORNEY, TC	011.19	scissors, operating, MAYO, TC	011.4
scissors, face-lift, REES, TC	011.19	scissors, operating, MAYO-HARRINGTON	010.14
scissors, fistula, KELLY	010.72	scissors, operating, MAYO-NOBLE	010.13
scissors, fistula, KELLY, CC.....	014.8	scissors, operating, MAYO-STILLE..... 010.11- 010.12	
scissors, fistula, KELLY, TC	011.21	scissors, operating, MAYO-STILLE, CC.....	014.4
scissors, gum-, DEAN	010.85	scissors, operating, MAYO-STILLE, TC	011.5
scissors, gum, DEAN, TC	011.22	scissors, operating, O'BRIEN.....	010.39
scissors, gum-, GOLDMANN-FOX.....	010.85	scissors, operating, RIBBON	010.37
scissors, gum, GOLDMANN-FOX, SC	012.9	scissors, operating, RICHTER.....	010.41
scissors, gum, GOLDMANN-FOX, TC.....	011.22	scissors, operating, SALYER.....	010.13
scissors, gum-, LA GRANGE	010.86	scissors, operating, TC	011.3
scissors, gum-, LOCKLIN.....	010.86	scissors, operating, WILMER	010.36
scissors, gum, LOCKLIN, TC	011.23	scissors, PARAMETRIUM, TC	011.6
scissors, gynecological, DOYEN.....	010.70	scissors, plaster	010.94
scissors, gynecological, DUBOIS.....	010.74	scissors, plaster, BERGMANN	010.91
scissors, gynecological, SIEBOLD	010.71	scissors, plaster, BRUNS	010.93
scissors, gynecological, SIMS	010.69	scissors, plaster, BRUNS, TC.....	011.25
scissors, gynecological, SIMS, TC.....	011.21	scissors, plaster, SEUTIN	010.94
scissors, gynecological, SIMS-SIEBOLD.....	010.71	scissors, RECTAL	010.77
scissors, gynecological, WERTHEIM	010.73	scissors, sissecting, TOENNIS-ADSON, SC	012.6
scissors, incision	010.40	scissors, strabismus.....	010.35
scissors, iris.....	010.35, 010.37	scissors, strabismus, SC.....	012.7

Index, alphabetical

scissors, tenotomy, STEVENS.....	010.43
scissors, tenotomy, STEVENS, SC.....	012.8
scissors, tonsil, BOETTCHER.....	010.58
scissors, tonsil, GOOD.....	010.59
scissors, tonsil, KIRSTEIN.....	010.58
scissors, tonsil, PRINCE.....	010.59
scissors, trigeminal, OLIVECRONA.....	010.54
scissors, umbilical, BUSCH.....	010.82
scissors, umbilical, MOD. USA.....	010.81
scissors, umbilical, SCHUMACHER.....	010.81
scissors, vascular.....	010.66- 010.67
scissors, vascular, DE BAKEY.....	010.60
scissors, vascular, DE BAKEY, TC.....	011.20
scissors, vascular, DE BAKY.....	010.64- 010.65
scissors, vascular, DIETHRICH-HEGEMANN.....	010.62
scissors, vascular, DIETRICH.....	010.64
scissors, vascular, DIETRICH-HEGEMANN, CC.....	014.8
scissors, vascular, FAVALORO.....	010.65
scissors, vascular, KLINGENBERG-LOTH.....	010.68
scissors, vascular, LINCOLN.....	010.53
scissors, vascular, MC INDOE.....	010.61
scissors, vascular, MC INDOE.....	010.66
scissors, vascular, POTTS-DE MARTEL.....	010.61
scissors, vascular, POTTS-SMITH.....	010.63
scissors, vascular, POTTS-SMITH, SC.....	012.8
scissors, vascular, SATINSKY.....	010.68
scissors, wire cutting, BEEBEE.....	010.84
scissors, wire cutting, UNIVERSAL.....	010.84
scissors, wire cutting, UNIVERSAL, TC.....	011.24
SEUTIN, plaster scissors.....	010.94
SHEA VEIN GRAFT, dissecting scissors.....	010.29
SIEBOLD, gynecological scissors.....	010.71
SIMS, gynecological scissors.....	010.69
SIMS, gynecological scissors, TC.....	011.21
SIMS-SIEBOLD, gynecological scissors.....	010.71
SPENCER ligature scissors.....	010.48
STELZNER, lobectomy scissors.....	010.77
STEVENS, tenotomy scissors.....	010.43
STEVENS, tenotomy scissors, SC.....	012.8
strabismus scissors.....	010.35
strabismus scissors, SC.....	012.7
STRULLY, neurosurgical scissors.....	010.51

T

tenotomy scissors, STEVENS.....	010.43
tenotomy scissors, STEVENS, SC.....	012.8
THOREK, dissecting scissors.....	010.31
TOENNIS, dissecting scissors.....	010.44
TOENNIS-ADSON, dissecting scissors.....	010.24
TOENNIS-ADSON, dissecting scissors, SC.....	012.6
TOENNIS-ADSON, dissecting scissors, TC.....	011.14
tonsil scissors, BOETTCHER.....	010.58
tonsil scissors, GOOD.....	010.59
tonsil scissors, KIRSTEIN.....	010.58
tonsil scissors, PRINCE.....	010.59
trigeminal scissors, OLIVECRONA.....	010.54

U

umbilical scissors, BUSCH.....	010.82
umbilical scissors, MOD. USA.....	010.81
umbilical scissors, SCHUMACHER.....	010.81
UNIVERSAL, bandage scissors.....	010.95
UNIVERSAL, wire cutting scissors.....	010.83
UNIVERSAL, wire cutting scissors, TC.....	011.24

V

vascular scissors, DIETRICH-HEGEMANN, CC.....	014.8
vascular scissors.....	010.66- 010.67
vascular scissors, DE BAKEY.....	010.60, 010.64- 010.65
vascular scissors, DE BAKEY, TC.....	011.20
vascular scissors, DIETHRICH.....	010.64
vascular scissors, DIETHRICH-HEGEMANN.....	010.62
vascular scissors, FAVALORO.....	010.65
vascular scissors, KLINGENBERG-LOTH.....	010.68
vascular scissors, LINCOLN.....	010.53
vascular scissors, MC INDOE.....	010.61, 010.66
vascular scissors, POTTS-DE MARTEL.....	010.61
vascular scissors, POTTS-SMITH.....	010.63
vascular scissors, POTTS-SMITH, SC.....	012.8
vascular scissors, SATINSKY.....	010.68

W

WAGNER, fine operating scissors.....	010.34
WALDMANN, episiotomy scissors.....	010.79
WERTHEIM, gynecological scissors.....	010.73
WILLAUER, lobectomy scissors.....	010.78
WILMER, operating scissors.....	010.36
wire cutting scissors, BEEBEE.....	010.84
wire cutting scissors, UNIVERSAL.....	010.83
wire cutting scissors, UNIVERSAL, TC.....	011.24



Indice, alfabético

A			
ASTON, tijeras para face-lift.....	010.46		forbici per para nervioso trigemino, OLIVECRONA.....010.54
B			forbici per tenotomia, STEVENS, SC012.8
BABY-LEXER, tijeras de diseccion.....	010.25		forbici, CARTILAGE.....010.57
BABY-METZENBAUM, tijeras de diseccion.....	010.15		G
BABY-METZENBAUM, tijeras para diseccion, SC.....	012.4		GOLDMANN-FOX, tijeras para encias010.85
BABY-METZENBAUM, tijeras para diseccion, TC.....	011.7		GOLDMANN-FOX, tijeras para encias, SC012.9
BEEBEE, tijeras corta-alambres.....	010.84		GOLDMANN-FOX, tijeras para encias, TC.....011.22
BERGMANN, tijeras para vendajes.....	010.91		GOOD, tijeras para amigdalas.....010.59
BOETTCHER, tijeras para amigdalas.....	010.58		GORNEY, tijeras para face-lift010.45
BONN, tijeras para cirugia.....	010.38		GORNEY, tijeras para face-lift, TC011.19
BRAUN-STADLER, tijeras para pernio.....	010.80		GRAEFE, tijeras para cirugia.....010.37
BROPHY (SULLIVAN), tijeras para cirugia.....	010.40		H
BRUNS, tijeras para vendajes.....	010.93		HALLE, tijeras nasales.....010.56
BRUNS, tijeras para vendajes, TC.....	011.25		HEATH, tijeras para ligaduras.....010.50
BUCK, tijeras para ligaduras.....	010.49		HEYMANN, tijeras nasales.....010.55
BUSCH, tijeras umbilicales.....	010.82		I
C			incision, tijeras.....010.40
CAPLAN, tijeras nasales.....	010.57		intestino, tijeras.....010.75
CARTILAGE, tijeras.....	010.57		iridectomia, tijeras.....010.35, 010.37
CINELLI, tijeras de diseccion.....	010.30		iridectomia, tijeras, CC.....014.4
cirugia, tijeras.....	010.2- 010.9, 010.33, 010.36, 010.39		iridectomia, tijeras, SC.....012.7
cirugia, tijeras, TC.....	011.3		iridectomia, tijeras, TC.....011.18
COTTLE, tijeras nasales.....	010.55		J
CRAFOORD, tijeras vasculares.....	010.67		JAMESON, tijeras de diseccion.....010.29
D			JOSEPH, tijeras de diseccion.....010.33
DANDY, tijeras vasculares.....	010.52		JOSEPH, tijeras para diseccion, CC.....014.7
DEAN, tijeras para encias.....	010.85		JOSEPH, tijeras para diseccion, TC.....011.16
DEAN, tijeras para encias, TC.....	011.22		K
DEAVER, tijeras para cirugia.....	010.8		KAYE, tijeras de diseccion.....010.44
DEBAKEY, tijeras vasculares.....	010.60, 010.64- 010.65		KELLY, tijeras para fistulas.....010.72
DEBAKEY, tijeras vasculares, TC.....	011.20		KELLY, tijeras para fistulas, CC.....014.8
DIETRICH, tijeras vasculares.....	010.64		KELLY, tijeras para fistulas, TC.....011.21
DIETRICH-HEGEMANN, tijeras vasculares.....	010.62		KILNER (RAGNELL), tijeras de diseccion.....010.28
DIETRICH-HEGEMANN, tijeras vasculares, CC.....	014.8		KILNER, tijeras para diseccion, CC.....014.6
diseccion, tijeras.....	010.27, 010.47		KIRSTEIN, tijeras para amigdalas.....010.58
diseccion, tijeras para nervios.....	010.32		KLINGENBERG-LOTH, tijeras vasculares.....010.68
DOYEN, tijeras uterinas.....	010.70		KNOWLES, tijeras para vendajes.....010.90
DUBOIS, tijeras uterinas.....	010.74		L
E			LA GRANGE, tijeras para encias.....010.86
EISELSBERG, tijeras para ligaduras.....	010.51		LANDOLT, tijeras para cirugia.....010.42
enclueacion, tijeras.....	010.34		LEXER, tijeras de diseccion.....010.26
ESMARCH, tijeras para vendajes.....	010.92		LEXER, tijeras para diseccion, TC.....011.15
estrabismo, tijeras.....	010.35		LEXER-FINO, tijeras de diseccion.....010.25
estrabisomo, tijeras, SC.....	012.7		LINCOLN, tijeras vasculares.....010.53
F			LISTER, tijeras para vendajes.....010.87- 010.88
FAVALORO, tijeras vasculares.....	010.65		LISTER, tijeras para vendajes, SC.....012.9
FERGUSSON, tijeras para cirugia.....	010.41		LISTER, tijeras para vendajes, TC.....011.25
FINOCCHIETTO, tijeras vasculares.....	010.78		LISTER-EXCENTRIC, tijeras para vendajes.....010.89
FOMON, tijeras de diseccion.....	010.31		LITTAUER, tijeras para ligaduras.....010.49
FOMON, tijeras nasales.....	010.56		LLOYD-DAVIES, tijeras para el recto.....010.76

Indice, alfabético

LOCKLIN, tijeras para encias010.86
 LOCKLIN, tijeras para encias, TC011.23
 LORENZ, tijeras para vendajes010.90

M

MAYO, tijeras para cirugía.....010.10
 MAYO, tijeras para cirugía, CC.....014.3
 MAYO, tijeras para cirugía, SC.....012.3
 MAYO, tijeras para cirugía, TC011.4
 MAYO-HARRINGTON, tijeras de disección010.14
 MAYO-LEXER, tijeras para disección, TC.....011.14
 MAYO-STILLE, tijeras para cirugía..... 010.11- 010.13
 MAYO-STILLE, tijeras para cirugía, CC.....014.4
 MAYO-STILLE, tijeras para cirugía, TC011.5
 MC INDOE, tijeras vasculares010.66
 METZENBAUM, tijeras de disección..... 010.15, 010.18- 010.19
 METZENBAUM, tijeras para disección, CC014.5
 METZENBAUM, tijeras para disección, SC.....012.4
 METZENBAUM, tijeras para disección, TC.....011.7
 METZENBAUM-FINO S, tijeras para disección, TC.....011.12
 METZENBAUM-FINO, tijeras de disección..... 010.20- 010.23
 METZENBAUM-FINO, tijeras para disección, CC.... 014.6- 014.7
 METZENBAUM-FINO, tijeras para disección, SC.....012.6
 METZENBAUM-FINO, tijeras para disección, TC 011.10- 011.11
 METZENBAUM-LAHEY, tijeras de disección010.24
 METZENBAUM-LAHEY, tijeras para disección, TC011.13
 METZENBAUM-NELSON, tijeras de disección.... 010.16- 010.19
 METZENBAUM-NELSON, tijeras para disección, CC014.5
 METZENBAUM-NELSON, tijeras para disección, SC.....012.5
 METZENBAUM-NELSON, tijeras para disección, TC
 011.8- 011.9
 METZENBAUM-THOREK, tijeras para disección, TC.....011.17
 MIXTER, tijeras de disección.....010.27
 MOD. BONN, tijeras finas para cirugía.....010.38
 MOD. USA, tijeras umbilicales010.81

N

neurocirugía, tijeras 010.66- 010.67
 NORTHBENT, tijeras para ligaduras.....010.50

O

O'BRIEN, tijeras para cirugía.....010.39
 OLIVECRONA, tijeras para nervio trigemino010.54

P

PARAMETRIUM, tijeras, TC.....011.6
 PECK-JOSEPH, tijeras de disección..... 010.46- 010.47
 pernio, tijeras.....010.79
 POTTS-SMITH, tijeras vasculares, SC012.8
 POTTS-DE MARTEL, tijeras vasculares010.61
 POTTS-SMITH, tijeras vasculares010.63, 010.67
 PRINCE, tijeras para amígdalas010.59

R

RAGNELL, tijeras para disección, TC011.16
 RECTAL, tijeras para el recto.....010.77

REES, tijeras para face-lift, TC011.19
 REYNOLDS, tijeras de disección010.30
 REYNOLDS, tijeras para disección, CC014.7
 RIBBON, tijeras para cirugía010.37
 RICHTER, tijeras para cirugía.....010.41

S

SALYER, tijeras de disección010.13
 SANVENERO, tijeras de disección010.32
 SATINSKY, tijeras vasculares010.68
 SCHMIEDEN-TAYLOR, tijeras vasculares010.52
 SCHUMACHER, tijeras umbilicales.....010.81
 SEUTIN, tijeras para vendajes.....010.94
 SHEA VEIN GRAFT, tijeras de disección.....010.29
 SIEBOLD, tijeras uterinas010.71
 SIMS, tijeras uterinas010.69
 SIMS, tijeras uterinas, TC.....011.21
 SIMS-SIEBOLD, tijeras uterinas.....010.71
 SPENCER, tijeras para ligaduras010.48
 STELZNER, tijeras para el recto.....010.77
 STEVENS, tijeras finas para cirugía, SC.....012.8
 STEVENS, tijeras para tendones.....010.43
 STRULLY, tijeras vasculares010.51

T

THOREK, tijeras de disección010.31
 tijeras corta-alambres, BEEBEE.....010.84
 tijeras corta-alambres, UNIVERSAL010.83
 tijeras corta-alambres, UNIVERSAL, TC011.24
 tijeras de disección010.27, 010.47
 tijeras de disección para nervios.....010.32
 tijeras de disección, BABY-METZENBAUM010.15
 tijeras de disección, BABY-METZENBAUM, SC012.4
 tijeras de disección, CINELLI010.30
 tijeras de disección, FOMON010.31
 tijeras de disección, JAMESON010.29
 tijeras de disección, JOSEPH010.33
 tijeras de disección, JOSEPH, CC014.7
 tijeras de disección, JOSEPH, TC.....011.16
 tijeras de disección, KAYE.....010.44
 tijeras de disección, KILNER (RAGNELL).....010.28
 tijeras de disección, KILNER, CC014.6
 tijeras de disección, LEXER010.26
 tijeras de disección, LEXER, TC.....011.15
 tijeras de disección, LEXER-BABY010.25
 tijeras de disección, LEXER-FINO010.25
 tijeras de disección, MAYO-LEXER, TC011.14
 tijeras de disección, MAYO-STILLE, TC.....011.5
 tijeras de disección, METZENBAUM..... 010.15, 010.18- 010.20
 tijeras de disección, METZENBAUM, CC014.5
 tijeras de disección, METZENBAUM, SC.....012.4
 tijeras de disección, METZENBAUM, TC011.7
 tijeras de disección, METZENBAUM-BABY, TC011.7
 tijeras de disección, METZENBAUM-FINO 010.21- 010.23
 tijeras de disección, METZENBAUM-FINO S.....010.20
 tijeras de disección, METZENBAUM-FINO S, TC.....011.12



Indice, alfabético

LOCKLIN, tijeras para encias010.86
 LOCKLIN, tijeras para encias, TC011.23
 LORENZ, tijeras para vendajes010.90

M

MAYO, tijeras para cirugía010.10
 MAYO, tijeras para cirugía, CC014.3
 MAYO, tijeras para cirugía, SC012.3
 MAYO, tijeras para cirugía, TC011.4
 MAYO-HARRINGTON, tijeras de disección010.14
 MAYO-LEXER, tijeras para disección, TC011.14
 MAYO-STILLE, tijeras para cirugía 010.11- 010.13
 MAYO-STILLE, tijeras para cirugía, CC014.4
 MAYO-STILLE, tijeras para cirugía, TC011.5
 MC INDOE, tijeras vasculares010.66
 METZENBAUM, tijeras de disección 010.15, 010.18- 010.19
 METZENBAUM, tijeras para disección, CC014.5
 METZENBAUM, tijeras para disección, SC012.4
 METZENBAUM, tijeras para disección, TC011.7
 METZENBAUM-FINO S, tijeras para disección, TC011.12
 METZENBAUM-FINO, tijeras de disección 010.20- 010.23
 METZENBAUM-FINO, tijeras para disección, CC 014.6- 014.7
 METZENBAUM-FINO, tijeras para disección, SC012.6
 METZENBAUM-FINO, tijeras para disección, TC 011.10- 011.11
 METZENBAUM-LAHEY, tijeras de disección010.24
 METZENBAUM-LAHEY, tijeras para disección, TC011.13
 METZENBAUM-NELSON, tijeras de disección 010.16- 010.19
 METZENBAUM-NELSON, tijeras para disección, CC014.5
 METZENBAUM-NELSON, tijeras para disección, SC012.5
 METZENBAUM-NELSON, tijeras para disección, TC011.8- 011.9
 METZENBAUM-THOREK, tijeras para disección, TC011.17
 MIXTER, tijeras de disección010.27
 MOD. BONN, tijeras finas para cirugía010.38
 MOD. USA, tijeras umbilicales010.81

N

neurocirugía, tijeras 010.66- 010.67
 NORTHBENT, tijeras para ligaduras010.50

O

O'BRIEN, tijeras para cirugía010.39
 OLIVECRONA, tijeras para nervio trigemino010.54

P

PARAMETRIUM, tijeras, TC011.6
 PECK-JOSEPH, tijeras de disección 010.46- 010.47
 pernio, tijeras010.79
 POTTS-SMITH, tijeras vasculares, SC012.8
 POTTS-DE MARTEL, tijeras vasculares010.61
 POTTS-SMITH, tijeras vasculares010.63, 010.67
 PRINCE, tijeras para amígdalas010.59

R

RAGNELL, tijeras para disección, TC011.16
 RECTAL, tijeras para el recto010.77

REES, tijeras para face-lift, TC011.19
 REYNOLDS, tijeras de disección010.30
 REYNOLDS, tijeras para disección, CC014.7
 RIBBON, tijeras para cirugía010.37
 RICHTER, tijeras para cirugía010.41

S

SALYER, tijeras de disección010.13
 SANVENERO, tijeras de disección010.32
 SATINSKY, tijeras vasculares010.68
 SCHMIEDEN-TAYLOR, tijeras vasculares010.52
 SCHUMACHER, tijeras umbilicales010.81
 SEUTIN, tijeras para vendajes010.94
 SHEA VEIN GRAFT, tijeras de disección010.29
 SIEBOLD, tijeras uterinas010.71
 SIMS, tijeras uterinas010.69
 SIMS, tijeras uterinas, TC011.21
 SIMS-SIEBOLD, tijeras uterinas010.71
 SPENCER, tijeras para ligaduras010.48
 STELZNER, tijeras para el recto010.77
 STEVENS, tijeras finas para cirugía, SC012.8
 STEVENS, tijeras para tendones010.43
 STRULLY, tijeras vasculares010.51

T

THOREK, tijeras de disección010.31
 tijeras corta-alambres, BEEBEE010.84
 tijeras corta-alambres, UNIVERSAL010.83
 tijeras corta-alambres, UNIVERSAL, TC011.24
 tijeras de disección010.27, 010.47
 tijeras de disección para nervios010.32
 tijeras de disección, BABY-METZENBAUM010.15
 tijeras de disección, BABY-METZENBAUM, SC012.4
 tijeras de disección, CINELLI010.30
 tijeras de disección, FOMON010.31
 tijeras de disección, JAMESON010.29
 tijeras de disección, JOSEPH010.33
 tijeras de disección, JOSEPH, CC014.7
 tijeras de disección, JOSEPH, TC011.16
 tijeras de disección, KAYE010.44
 tijeras de disección, KILNER (RAGNELL)010.28
 tijeras de disección, KILNER, CC014.6
 tijeras de disección, LEXER010.26
 tijeras de disección, LEXER, TC011.15
 tijeras de disección, LEXER-BABY010.25
 tijeras de disección, LEXER-FINO010.25
 tijeras de disección, MAYO-LEXER, TC011.14
 tijeras de disección, MAYO-STILLE, TC011.5
 tijeras de disección, METZENBAUM 010.15, 010.18- 010.20
 tijeras de disección, METZENBAUM, CC014.5
 tijeras de disección, METZENBAUM, SC012.4
 tijeras de disección, METZENBAUM, TC011.7
 tijeras de disección, METZENBAUM-BABY, TC011.7
 tijeras de disección, METZENBAUM-FINO 010.21- 010.23
 tijeras de disección, METZENBAUM-FINO S010.20
 tijeras de disección, METZENBAUM-FINO S, TC011.12

Indice, alfabético

tijeras de diseccion, METZENBAUM-FINO, CC.....	014.6
tijeras de diseccion, METZENBAUM-FINO, SC.....	012.6
tijeras de diseccion, METZENBAUM-FINO, TC ...	011.10- 011.11
tijeras de diseccion, METZENBAUM-LAHEY.....	010.24
tijeras de diseccion, METZENBAUM-LAHEY, TC.....	011.13
tijeras de diseccion, METZENBAUM-NELSON....	010.16- 010.19
tijeras de diseccion, METZENBAUM-NELSON, CC.....	014.5
tijeras de diseccion, METZENBAUM-NELSON, SC.....	012.5
tijeras de diseccion, METZENBAUM-NELSON, TC .	011.8- 011.9
tijeras de diseccion, METZENBAUM-THOREK, TC.....	011.17
tijeras de diseccion, MIXTER.....	010.27
tijeras de diseccion, PECK-JOSEPH.....	010.46- 010.47
tijeras de diseccion, RAGNELL, TC.....	011.16
tijeras de diseccion, REYNOLDS.....	010.30
tijeras de diseccion, REYNOLDS, CC.....	014.7
tijeras de diseccion, SANVENERO.....	010.32
tijeras de diseccion, THOREK.....	010.31
tijeras de diseccion, TOENNIS.....	010.44
tijeras de diseccion, TOENNIS-ADSON.....	010.24
tijeras de diseccion, TOENNIS-ADSON, SC.....	012.6
tijeras de diseccion, TOENNIS-ADSON, TC.....	011.14
tijeras diseccion, SHEA VEIN GRAFT.....	010.29
tijeras finas para cirugia.....	010.37
tijeras finas para cirugia, CC.....	014.4
tijeras nasales, CAPLAN.....	010.57
tijeras nasales, COTTLE.....	010.55
tijeras nasales, FOMON.....	010.56
tijeras nasales, HALLE.....	010.56
tijeras nasales, HEYMANN.....	010.55
tijeras para amigdalas, BOETTCHER.....	010.58
tijeras para amigdalas, GOOD.....	010.59
tijeras para amigdalas, KIRSTEIN.....	010.58
tijeras para amigdalas, PRINCE.....	010.59
tijeras para cirugia.....	010.2- 010.9. 010.33, 010.36, 010.39
tijeras para cirugia, BONN.....	010.38
tijeras para cirugia, BROPHY (SULLIVAN).....	010.40
tijeras para cirugia, DEEVER.....	010.8
tijeras para cirugia, FERGUSSON.....	010.41
tijeras para cirugia, GRAEFE.....	010.37
tijeras para cirugia, LANDOLT.....	010.42
tijeras para cirugia, MAYO.....	010.10
tijeras para cirugia, MAYO, CC.....	014.3
tijeras para cirugia, MAYO, SC.....	012.3
tijeras para cirugia, MAYO, TC.....	011.4
tijeras para cirugia, MAYO-HARRINGTON.....	010.14
tijeras para cirugia, MAYO-NOBLE.....	010.13
tijeras para cirugia, MAYO-STILLE.....	010.11- 010.12
tijeras para cirugia, MAYO-STILLE, CC.....	014.4
tijeras para cirugia, O'BRIEN.....	010.39
tijeras para cirugia, RIBBON.....	010.37
tijeras para cirugia, RICHTER.....	010.41
tijeras para cirugia, SALYER.....	010.13
tijeras para cirugia, TC.....	011.3
tijeras para cirugia, WAGNER.....	010.34
tijeras para cirugia, WILMER.....	010.36
tijeras para el recto, LLOYD-DAVIS.....	010.76
tijeras para el recto, RECTAL.....	010.77
tijeras para el recto, STELZNER.....	010.77
tijeras para encias, DEAN.....	010.85
tijeras para encias, DEAN, TC.....	011.22
tijeras para encias, GOLDMANN-FOX.....	010.85
tijeras para encias, GOLDMANN-FOX, SC.....	012.9
tijeras para encias, GOLDMANN-FOX, TC.....	011.22
tijeras para encias, LA GRANGE.....	010.86
tijeras para encias, LOCKLIN.....	010.86
tijeras para encias, LOCKLIN, TC.....	011.23
tijeras para enucleacion.....	010.34
tijeras para estrabismo, SC.....	012.7
tijeras para estrabisomo.....	010.35
tijeras para face-lift, ASTON.....	010.46
tijeras para face-lift, GORNEY.....	010.45
tijeras para face-lift, GORNEY, TC.....	011.19
tijeras para face-lift, REES, TC.....	011.19
tijeras para fistulas, KELLY.....	010.72
tijeras para fistulas, KELLY, CC.....	014.8
tijeras para fistulas, KELLY, TC.....	011.21
tijeras para incision.....	010.40
tijeras para intestino.....	010.75
tijeras para iridectomia.....	010.35
tijeras para iridectomia, MOD. BONN.....	010.38
tijeras para iridectomia, SC.....	012.7
tijeras para iridectomia, TC.....	011.18
tijeras para ligaduras, BUCK.....	010.49
tijeras para ligaduras, EISELSBERG.....	010.51
tijeras para ligaduras, HEATH.....	010.50
tijeras para ligaduras, LITTAUER.....	010.49
tijeras para ligaduras, NORTHBENT.....	010.50
tijeras para ligaduras, SPENCER.....	010.48
tijeras para pernio.....	010.79
tijeras para pernio BRAUN-STADLER.....	010.80
tijeras para pernio, CRAFOORD.....	010.67
tijeras para pernio, POTTS-SMITH.....	010.67
tijeras para pernio, WALDMANN.....	010.79
tijeras para pernio, WILLAUER.....	010.78
tijeras para tendones, STEVENS.....	010.43
tijeras para vendajes.....	010.94
tijeras para vendajes, BERGMANN.....	010.91
tijeras para vendajes, BRUNS.....	010.93
tijeras para vendajes, BRUNS, TC.....	011.25
tijeras para vendajes, ESMARCH.....	010.92
tijeras para vendajes, KNOWLES.....	010.90
tijeras para vendajes, LISTER.....	010.87- 010.88
tijeras para vendajes, LISTER, SC.....	012.9
tijeras para vendajes, LISTER, TC.....	011.25
tijeras para vendajes, LISTER-EXCENTRIC.....	010.89
tijeras para vendajes, LORENZ.....	010.90
tijeras para vendajes, SEUTIN.....	010.94
tijeras para vendajes, UNIVERSAL.....	010.95
tijeras umbilicales, BUSCH.....	010.82
tijeras umbilicales, MOD. USA.....	010.81
tijeras umbilicales, SCHUMACHER.....	010.81
tijeras uterinas, DOYEN.....	010.70



Indice, alfabético

tijeras uterinas, DUBOIS.....	010.74
tijeras uterinas, SIEBOLD.....	010.71
tijeras uterinas, SIMS	010.69
tijeras uterinas, SIMS, TC.....	011.21
tijeras uterinas, SIMS-SIEBOLD.....	010.71
tijeras uterinas, WERTHEIM	010.73
tijeras vasculares.....	010.66- 010.67
tijeras vasculares, DANDY.....	010.52
tijeras vasculares, DE BAKEY	010.60, 010.64- 010.65
tijeras vasculares, DE BAKEY, TC	011.20
tijeras vasculares, DIETHRICH	010.64
tijeras vasculares, DIETHRICH-HEGEMANN	010.62
tijeras vasculares, DIETRICH-HEGEMANN, CC.....	014.8
tijeras vasculares, FAVALORO.....	010.65
tijeras vasculares, FINOCCHIETTO.....	010.78
tijeras vasculares, KLINKENBERG-LOTH	010.68
tijeras vasculares, LINCOLN	010.53
tijeras vasculares, MC INDOE	010.66
tijeras vasculares, POTTS-DE MARTEL	010.61
tijeras vasculares, POTTS-SMITH	010.63
tijeras vasculares, POTTS-SMITH, SC	012.8
tijeras vasculares, SATINSKY	010.68
tijeras vasculares, SCHMIEDEN-TAYLOR	010.52
tijeras vasculares, STRULLY.....	010.51
tijeras, PARAMETRIUM, TC.....	011.6
TOENNIS, tijeras de diseccion	010.44
TOENNIS-ADSON, tijeras de diseccion	010.24
TOENNIS-ADSON, tijeras para diseccion, SC	012.6
TOENNIS-ADSON, tijeras para diseccion, TC	011.14

U

UNIVERSAL, tijeras corta-alambres	010.83
UNIVERSAL, tijeras para vendajes.....	010.95
UNIVERSAL,tijeras corta-alambres, TC	011.24

V

vendajes, tijeras.....	010.94
------------------------	--------

W

WAGNER, tijeras para cirugia	010.34
WALDMANN, tijeras para pernio.....	010.79
WERTHEIM, tijeras uterinas	010.73
WILLAUER, tijeras vasculares	010.78
WILMER, tijeras para cirugia.....	010.36

Index alphabétique

A	
ASTON, ciseaux pour Face-lift.....	010.46
B	
BABY-METZENBAUM, ciseaux à dissection	010.15
BABY-METZENBAUM, ciseaux à dissection, SC.....	012.4
BEEBEE, ciseaux coupe-fil	010.84
BERGMANN, ciseaux à pansements	010.91
BOETTCHEER, ciseaux pour les amygdales.....	010.58
BONN, ciseaux chirurgicaux	010.38
BRAUN-STADLER, ciseaux à lobectomie	010.80
BROPHY (SULLIVAN), ciseaux chirurgicaux	010.40
BRUNS, ciseaux à pansements	010.93
BRUNS, ciseaux à pansements, TC.....	011.25
BUCK, ciseaux à ligatures.....	010.49
BUSCH, ciseaux pour le cordon ombilical	010.82
C	
CAPLAN, ciseaux nasaux.....	010.57
CARTILAGE, ciseaux.....	010.57
chirurgicaux, ciseaux.....	010.2- 010.9, 010.33, 010.36, 010.39
chirurgicaux, ciseaux fins	010.33
chirurgicaux, ciseaux, TC	011.3
CINELLI, ciseaux à dissection	010.30
ciseaux à dissection	010.27, 010.47
ciseaux à dissection, BABY-METZENBAUM	010.15
ciseaux à dissection, BABY-METZENBAUM, SC.....	012.4
ciseaux à dissection, CINELLI	010.30
ciseaux à dissection, FOMON	010.31
ciseaux à dissection, JAMESON	010.29
ciseaux à dissection, JOSEPH	010.33
ciseaux à dissection, JOSEPH, CC.....	014.7
ciseaux à dissection, JOSEPH, TC	011.16
ciseaux à dissection, KAYE	010.44
ciseaux à dissection, KILNER (RAGNELL)	010.28
ciseaux à dissection, KILNER, CC	014.6
ciseaux à dissection, LEXER.....	010.26
ciseaux à dissection, LEXER,TC	011.15
ciseaux à dissection, LEXER-BABY	010.25
ciseaux à dissection, LEXER-FINO	010.25
ciseaux à dissection, MAYO-LEXER, TC.....	011.14
ciseaux à dissection, METZENBAUM ...	010.15, 010.18 - 010.20
ciseaux à dissection, METZENBAUM, CC	014.5
ciseaux à dissection, METZENBAUM, SC	012.4
ciseaux à dissection, METZENBAUM, TC	011.7
ciseaux à dissection, METZENBAUM-BABY, TC.....	011.7
ciseaux à dissection, METZENBAUM-FINO	010.21- 010.23
ciseaux à dissection, METZENBAUM-FINO S	010.20
ciseaux à dissection, METZENBAUM-FINO S, TC	011.12
ciseaux à dissection, METZENBAUM-FINO, CC	014.6
ciseaux à dissection, METZENBAUM-FINO, SC	012.6
ciseaux à dissection, METZENBAUM-FINO, TC..	011.10- 011.11
ciseaux à dissection, METZENBAUM-LAHEY	010.24
ciseaux à dissection, METZENBAUM-LAHEY, TC	011.13
ciseaux à dissection, METZENBAUM-NELSON ..	010.16- 010.19
ciseaux à dissection, METZENBAUM-NELSON, CC	014.5
ciseaux à dissection, METZENBAUM-NELSON, SC	012.5
ciseaux à dissection, METZENBAUM-NELSON, TC	011.8- 011.9
ciseaux à dissection, MIXTER	010.27
ciseaux à dissection, PECK-JOSEPH	010.46- 010.47
ciseaux à dissection, RAGNELL, TC	011.16
ciseaux à dissection, REYNOLDS	010.30
ciseaux à dissection, REYNOLDS, CC.....	014.7
ciseaux à dissection, SANVENERO	010.32
ciseaux à dissection, SHEA VEIN GRAFT	010.29
ciseaux à dissection, THOREK.....	010.31
ciseaux à dissection, TOENNIS.....	010.44
ciseaux à dissection, TOENNIS-ADSON.....	010.24
ciseaux à dissection, TOENNIS-ADSON, SC.....	012.6
ciseaux à dissection, TOENNIS-ADSON, TC	011.14
ciseaux à énucléation	010.34
ciseaux à gencives, DEAN	010.85
ciseaux à gencives, DEAN, TC	011.22
ciseaux à gencives, GOLDMANN-FOX	010.85
ciseaux à gencives, GOLDMANN-FOX, SC	012.9
ciseaux à gencives, GOLDMANN-FOX, TC	011.22
ciseaux à gencives, LA GRANGE.....	010.86
ciseaux à gencives, LOCKLIN	010.86
ciseaux à gencives, LOCKLIN, TC	011.23
ciseaux à gynécologie, DOYEN.....	010.70
ciseaux à gynécologie, DUBOIS	010.74
ciseaux à gynécologie, SIEBOLD.....	010.71
ciseaux à gynécologie, SIMS	010.69
ciseaux à gynécologie, SIMS, TC.....	011.21
ciseaux à gynécologie, SIMS-SIEBOLD.....	010.71
ciseaux à gynécologie, WERTHEIM	010.73
ciseaux à incision	010.40
ciseaux à iridectomie.....	010.35, 010.37
ciseaux à iridectomie, CC	014.4
ciseaux à iridectomie, SC.....	012.7
ciseaux à iridectomie, TC	011.18
ciseaux à ligatures, BUCK.....	010.49
ciseaux à ligatures, EISELSBERG	010.51
ciseaux à ligatures, HEATH	010.50
ciseaux à ligatures, LITTAUER	010.49
ciseaux à ligatures, NORTHBENT	010.50
ciseaux à ligatures, SPENCER	010.48
ciseaux à lobectomie	010.79
ciseaux à lobectomie, BRAUN-STADLER	010.80
ciseaux à lobectomie, FINOCCHIETTO	010.78
ciseaux à lobectomie, WALDMANN.....	010.79
ciseaux à lobectomie, WILLAUER.....	010.78
ciseaux à pansements.....	010.94
ciseaux à pansements, BERGMANN	010.91
ciseaux à pansements, BRUNS	010.93
ciseaux à pansements, BRUNS, TC.....	011.25
ciseaux à pansements, ESMARCH	010.92
ciseaux à pansements, KNOWLES	010.90
ciseaux à pansements, LISTER.....	010.87- 010.88
ciseaux à pansements, LISTER, SC.....	012.9
ciseaux à pansements, LISTER, TC	011.25
ciseaux à pansements, LISTER-EXCENTRIC	010.89



Index alphabétique

ciseaux à pansements, LORENZ	010.90
ciseaux à pansements, SEUTIN	010.94
ciseaux à pansements, UNIVERSAL	010.95
ciseaux à strabisme	010.35
ciseaux à strabisme, SC	012.7
ciseaux à ténotomie, STEVENS	010.43
ciseaux à ténotomie, STEVENS, SC	012.8
ciseaux chirurgicaux	010.2- 010.9, 010.33, 010.36, 010.39
ciseaux chirurgicaux, BONN	010.38
ciseaux chirurgicaux, BROPHY (SULLIVAN)	010.40
ciseaux chirurgicaux, DEEVER	010.8
ciseaux chirurgicaux, FERGUSON	010.41
ciseaux chirurgicaux, GRAEFE	010.37
ciseaux chirurgicaux, LANDOLT	010.42
ciseaux chirurgicaux, MAYO	010.10
ciseaux chirurgicaux, MAYO, CC	014.3
ciseaux chirurgicaux, MAYO, SC	012.3
ciseaux chirurgicaux, MAYO, TC	011.4
ciseaux chirurgicaux, MAYO-HARRINGTON	010.14
ciseaux chirurgicaux, MAYO-NOBLE	010.13
ciseaux chirurgicaux, MAYO-STILLE	010.11- 010.12
ciseaux chirurgicaux, MAYO-STILLE, CC	014.4
ciseaux chirurgicaux, MAYO-STILLE, TC	011.5
ciseaux chirurgicaux, O'BRIEN	010.39
ciseaux chirurgicaux, RIBBON	010.37
ciseaux chirurgicaux, RICHTER	010.41
ciseaux chirurgicaux, SALYER	010.13
ciseaux chirurgicaux, TC	011.3
ciseaux chirurgicaux, WAGNER	010.34
ciseaux chirurgicaux, WILMER	010.36
ciseaux coupe-fil, BEEBEE	010.84
ciseaux coupe-fil, UNIVERSAL	010.83
ciseaux coupe-fil, UNIVERSAL, TC	011.24
ciseaux entérotomes	010.75
ciseaux fins chirurgicaux	010.33
ciseaux fins chirurgicaux, MOD. BONN	010.38
ciseaux nasaux, CAPLAN	010.57
ciseaux nasaux, COTTLE	010.55
ciseaux nasaux, FOMON	010.56
ciseaux nasaux, HALLE	010.56
ciseaux nasaux, HEYMANN	010.55
ciseaux pour Face-lift, ASTON	010.46
ciseaux pour Face-lift, GORNEY	010.45
ciseaux pour Face-lift, GORNEY, TC	011.19
ciseaux pour Face-lift, REES, TC	011.19
ciseaux pour la neuro-chirurgie, LINCOLN	010.53
ciseaux pour la neuro-chirurgie, SCHMIEDEN-TAYLOR	010.52
ciseaux pour la neuro-chirurgie, STRULLY	010.51
ciseaux pour la neuro-chirurgie, DANDY	010.52
ciseaux pour le cordon ombilical, BUSCH	010.82
ciseaux pour le cordon ombilical, MOD. USA	010.81
ciseaux pour le cordon ombilical, SCHUMACHER	010.81
ciseaux pour le nerf trigéminal, OLIVERCRONA	010.54
ciseaux pour le rectum, LLOYD-DAVIS	010.76
ciseaux pour le rectum, RECTAL	010.77
ciseaux pour le rectum, STELZNER	010.77

ciseaux pour les amygdales, BOETTCHER	010.58
ciseaux pour les amygdales, GOOD	010.59
ciseaux pour les amygdales, KIRSTEIN	010.58
ciseaux pour les amygdales, PRINCE	010.59
ciseaux pour les fistules, KELLY	010.72
ciseaux pour les fistules, KELLY, CC	014.8
ciseaux pour les fistules, KELLY, TC	011.21
ciseaux pour nerfs	010.32
ciseaux vasculaires	010.66- 010.67
ciseaux vasculaires, CRAFOORD	010.67
ciseaux vasculaires, DE BAKEY	010.60, 010.64- 010.65
ciseaux vasculaires, DE BAKEY, TC	011.20
ciseaux vasculaires, DIETHRICH	010.64
ciseaux vasculaires, DIETRICH-HEGEMANN	010.62
ciseaux vasculaires, DIETRICH-HEGEMANN, CC	014.8
ciseaux vasculaires, FAVALORO	010.65
ciseaux vasculaires, KLINKENBERG-LOTH	010.68
ciseaux vasculaires, MC INDOE	010.61, 010.66
ciseaux vasculaires, POTTS-DE MARTEL	010.61
ciseaux vasculaires, POTTS-SMITH	010.63, 010.67
ciseaux vasculaires, POTTS-SMITH, SC	012.8
ciseaux vasculaires, SATINSKY	010.68
ciseaux, CARTILAGE	010.57
ciseaux, PARAMETRIUM, TC	011.6
COTTLE, ciseaux nasaux	010.55
CRAFOORD, ciseaux vasculaires	010.67

D

DANDY, ciseaux pour la neuro-chirurgie	010.52
DE BAKEY, ciseaux vasculaires	010.60, 010.64- 010.65
DE BAKEY, ciseaux vasculaires, TC	011.20
DEAN, ciseaux à gencives	010.85
DEAN, ciseaux à gencives, TC	011.22
DEEVER, ciseaux chirurgicaux	010.8
DIETHRICH, ciseaux vasculaires	010.64
DIETRICH-HEGEMANN, ciseaux vasculaires	010.62
DIETRICH-HEGEMANN, ciseaux vasculaires, CC	014.8
dissection, ciseaux	010.27, 010.47
DOYEN, ciseaux à gynécologie	010.70
DUBOIS, ciseaux à gynécologie	010.74

E

EISELSBERG, ciseaux à ligatures	010.51
entérotomes, ciseaux	010.75
énucléation, ciseaux	010.34
ESMARCH, ciseaux à pansements	010.92

F

FAVALORO, ciseaux vasculaires	010.65
FERGUSON, ciseaux chirurgicaux	010.41
FINOCCHIETTO, ciseaux à lobectomie	010.78
FOMON, ciseaux à dissection	010.31
FOMON, ciseaux nasaux	010.56

G

GOLDMANN-FOX, ciseaux à gencives	010.85
----------------------------------	--------

Index alphabétique

GOLDMANN-FOX, ciseaux à gencives, SC	012.9
GOLDMANN-FOX, ciseaux à gencives, TC	011.22
GOOD, ciseaux pour les amygdales	010.59
GORNEY, ciseaux pour Face-lift	010.45
GORNEY, ciseaux pour Face-lift, TC.....	011.19
GRAEFE, ciseaux chirurgicaux.....	010.37

H

HALLE, ciseaux nasaux.....	010.56
HEATH, ciseaux à ligatures	010.50
HEYMANN, ciseaux nasaux.....	010.55

I

incision, ciseaux.....	010.40
iridectomie, ciseaux	010.35, 010.37
iridectomie, ciseaux, CC	014.4
iridectomie, ciseaux, SC.....	012.7
iridectomie, ciseaux, TC.....	011.18

J

JAMESON, ciseaux à dissection.....	010.29
JOSEPH, ciseaux à dissection	010.33
JOSEPH, ciseaux à dissection, CC.....	014.7
JOSEPH, ciseaux à dissection, TC	011.16

K

KAYE, ciseaux à dissection	010.44
KELLY, ciseaux pour les fistules	010.72
KELLY, ciseaux pour les fistules, CC.....	014.8
KELLY, ciseaux pour les fistules, TC	011.21
KILNER (RAGNELL), ciseaux à dissection	010.28
KILNER, ciseaux à dissection, CC	014.6
KIRSTEIN, ciseaux pour les amygdales	010.58
KLINKENBERG-LOTH, ciseaux vasculaires.....	010.68
KNOWLES, ciseaux à pansements	010.90

L

LA GRANGE, ciseaux à gencives.....	010.86
LANDOLT, ciseaux chirurgicaux	010.42
LEXER, ciseaux à dissection.....	010.26
LEXER, ciseaux à dissection, TC	011.15
LEXER-BABY, ciseaux à dissection	010.25
LEXER-FINO, ciseaux à dissection	010.25
LINCOLN, ciseaux pour la neuro-chirurgie	010.53
LISTER, ciseaux à pansements.....	010.87- 010.88
LISTER, ciseaux à pansements, SC.....	012.9
LISTER, ciseaux à pansements, TC	011.25
LISTER-EXCENTRIC, ciseaux à pansements	010.89
LITTAUER, ciseaux à ligatures	010.49
LLOYD-DAVIS, ciseaux pour le rectum.....	010.76
lobectomie, ciseaux	010.79
LOCKLIN, ciseaux à gencives.....	010.86
LOCKLIN, ciseaux à gencives, TC	011.23
LORENZ, ciseaux à pansements	010.90

M

MAYO, ciseaux chirurgicaux	010.10
MAYO, ciseaux chirurgicaux, CC	014.3
MAYO, ciseaux chirurgicaux, SC	012.3
MAYO, ciseaux chirurgicaux, TC.....	011.4
MAYO-HARRINGTON, ciseaux chirurgicaux	010.14
MAYO-LEXER, ciseaux à dissection, TC.....	011.14
MAYO-NOBLE, ciseaux chirurgicaux	010.13
MAYO-STILLE, ciseaux chirurgicaux	010.11- 010.12
MAYO-STILLE, ciseaux chirurgicaux, CC	014.4
MAYO-STILLE, ciseaux chirurgicaux, TC.....	011.5
MC INDOE, ciseaux vasculaires.....	010.61, 010.66
METZENBAUM, ciseaux à dissection	010.15, 010.18-20
METZENBAUM, ciseaux à dissection	010.15
METZENBAUM, ciseaux à dissection, CC.....	014.5
METZENBAUM, ciseaux à dissection, SC	012.4
METZENBAUM, ciseaux à dissection, TC	011.7
METZENBAUM-BABY, ciseaux à dissection, TC.....	011.7
METZENBAUM-FINO S, ciseaux à dissection	010.20
METZENBAUM-FINO S, ciseaux à dissection, TC	011.12
METZENBAUM-FINO, ciseaux à dissection	010.21- 010.23
METZENBAUM-FINO, ciseaux à dissection, CC	014.6
METZENBAUM-FINO, ciseaux à dissection, SC	012.6
METZENBAUM-FINO, ciseaux à dissection, TC..	011.10- 010.11
METZENBAUM-LAHEY, ciseaux à dissection.....	010.24
METZENBAUM-LAHEY, ciseaux à dissection, TC	011.13
METZENBAUM-NELSON, ciseaux à dissection ..	010.16- 010.19
METZENBAUM-NELSON, ciseaux à dissection, CC	014.5
METZENBAUM-NELSON, ciseaux à dissection, SC	012.5
METZENBAUM-NELSON, ciseaux à dissection, TC	011.8- 010.9
METZENBAUM-THOREK, ciseaux à dissection, TC.....	011.17
MIXTER, ciseaux à dissection	010.27
MOD. BONN, ciseaux fins chirurgicaux	010.38
MOD. USA, ciseaux pour le cordon ombilical.....	010.81

N

nerfs, ciseaux	010.32
NORTHBENT, ciseaux à ligatures	010.50

O

O'BRIEN, ciseaux chirurgicaux	010.39
OLIVERCRONA, ciseaux pour le nerf trigéminal.....	010.54

P

pansements, ciseaux.....	010.94
PARAMETRIUM, ciseaux, TC.....	011.6
PECK-JOSEPH, ciseaux à dissection	010.46- 010.47
POTTS-DE MARTEL, ciseaux vasculaires.....	010.61
POTTS-SMITH, ciseaux vasculaires	010.63, 010.67
POTTS-SMITH, ciseaux vasculaires, SC.....	012.8
PRINCE, ciseaux pour les amygdales.....	010.59

R

RAGNELL, ciseaux à dissection, TC	011.16
RECTAL, ciseaux pour le rectum.....	010.77
REES, ciseaux pour Face-lift, TC	011.19
REYNOLDS, ciseaux à dissection.....	010.30



Index alphabétique

REYNOLDS, ciseaux à dissection, CC.....014.7
RIBBON, ciseaux chirurgicaux010.37
RICHTER, ciseaux chirurgicaux010.41

S

SALYER, ciseaux chirurgicaux010.13
SANVENERO, ciseaux à dissection010.32
SATINSKY, ciseaux vasculaires010.68
SCHMIEDEN-TAYLOR, ciseaux pour la neuro-chirurgie....010.52
SCHUMACHER, ciseaux pour le cordon ombilical010.81
SEUTIN, ciseaux à pansements010.94
SHEA VEIN GRAFT, ciseaux à dissection010.29
SIEBOLD, ciseaux à gynécologie.....010.71
SIMS, ciseaux à gynécologie010.69
SIMS, ciseaux à gynécologie, TC.....011.21
SIMS-SIEBOLD, ciseaux à gynécologie.....010.71
SPENCER, ciseaux à ligatures010.48
STELZNER, ciseaux pour le rectum010.77
STEVENS ciseaux à ténotomie010.43
STEVENS ciseaux à ténotomie, SC012.8
strabisme, ciseaux010.35
strabisme, ciseaux, SC.....012.7
STRULLY, ciseaux pour la neuro-chirurgie010.51

T

THOREK, ciseaux à dissection.....010.31
TOENNIS, ciseaux à dissection.....010.44
TOENNIS-ADSON, ciseaux à dissection.....010.24
TOENNIS-ADSON, ciseaux à dissection, SC.....012.6
TOENNIS-ADSON, ciseaux à dissection, TC.....011.14

U

UNIVERSAL, ciseaux à pansements010.95
UNIVERSAL, ciseaux coupe-fil.....010.83
UNIVERSAL, ciseaux coupe-fil, TC011.24
vasculaires, ciseaux 010.66- 010.67

W

WAGNER, ciseaux chirurgicaux010.34
WALDMANN, ciseaux à lobectomie.....010.79
WERTHEIM, ciseaux à gynécologie010.73
WILLAUER, ciseaux à lobectomie.....010.78
WILMER, ciseaux chirurgicaux.....010.36

Indice, alfabetico

A			
addonimali, forbici.....	010.75	forbici addominali.....	010.75
ASTON, forbici per face-lift.....	010.46	forbici ombelicali, BUSCH.....	010.82
		forbici ombelicali, MOD. USA.....	010.81
B		forbici ombelicali, SCHUMACHER.....	010.81
BABY-LEXER, forbici per preparazioni.....	010.25	forbici para iridectomia, CC.....	014.4
BABY-METZENBAUM, forbici per preparazione.....	010.15	forbici per bendaggi.....	010.94
BABY-METZENBAUM, forbici per preparazione, SC.....	012.4	forbici per bendaggi, BERGMANN.....	010.91
BABY-METZENBAUM, forbici per preparazione, TC.....	011.7	forbici per bendaggi, BRUNS.....	010.93
BEEBEE, forbici per filo metallico.....	010.84	forbici per bendaggi, BRUNS, TC.....	011.25
bendaggi, forbici.....	010.94	forbici per bendaggi, ESMARCH.....	010.92
BERGMANN, forbici per bendaggi.....	010.91	forbici per bendaggi, KNOWLES.....	010.90
BOETTCHER, forbici per tonsille.....	010.58	forbici per bendaggi, LISTER.....	010.87- 010.88
BONN, forbici per chirurgia.....	010.38	forbici per bendaggi, LISTER, SC.....	012.9
BRAUN-STADLER, forbici per episiotomia.....	010.80	forbici per bendaggi, LISTER, TC.....	011.25
BROPHY (SULLIVAN), forbici per chirurgia.....	010.40	forbici per bendaggi, LISTER-EXCENTRIC.....	010.89
BRUNS, forbici per bendaggi.....	010.93	forbici per bendaggi, LORENZ.....	010.90
BRUNS, forbici per bendaggi, TC.....	011.25	forbici per bendaggi, SEUTIN.....	010.94
BUCK, forbici per legatura.....	010.49	forbici per bendaggi, UNIVERSAL.....	010.95
BUSCH, forbici ombelicali.....	010.82	forbici per chirurgia.....	010.2- 010.9
		forbici per chirurgia, BONN.....	010.38
C		forbici per chirurgia, BROPHY (SULLIVAN).....	010.40
CAPLAN, forbici per nasali.....	010.57	forbici per chirurgia, DEEVER.....	010.8
CARTILAGE, forbici.....	010.57	forbici per chirurgia, FERGUSSON.....	010.41
chirurgia, forbici.....	010.2- 010.9, 010.33, 010.36, 010.39	forbici per chirurgia, fini.....	010.33, 010.36, 010.39
chirurgia, forbici, TC.....	011.3	forbici per chirurgia, GRAEFE.....	010.37
CINELLI, forbici per preparazioni.....	010.30	forbici per chirurgia, LANDOLT.....	010.42
COTTLE, forbici per nasali.....	010.55	forbici per chirurgia, MAYO.....	010.10
CRAFOORD, forbici per polmonare.....	010.67	forbici per chirurgia, MAYO, CC.....	014.3
		forbici per chirurgia, MAYO, SC.....	012.3
D		forbici per chirurgia, MAYO, TC.....	011.4
DANDY, forbici per neurochirurgia.....	010.52	forbici per chirurgia, MAYO-HARRINGTON.....	010.14
DEAN, forbici per gengiva.....	010.85	forbici per chirurgia, MAYO-NOBLE.....	010.13
DEAN, forbici per gengiva, TC.....	011.22	forbici per chirurgia, MAYO-STILLE.....	010.11- 010.12
DEEVER, forbici per chirurgia.....	010.8	forbici per chirurgia, MAYO-STILLE, CC.....	014.4
DEBAKEY, forbici per neurochirurgia.....	010.60- 010.61, 010.64- 010.65	forbici per chirurgia, O'BRIEN.....	010.39
DEBAKEY, forbici per neurochirurgia, TC.....	011.20	forbici per chirurgia, RIBBON.....	010.37
DIETHRICH, forbici per neurochirurgia.....	010.64	forbici per chirurgia, RICHTER.....	010.41
DIETHRICH-HEGEMANN, forbici per neurochirurgia.....	010.62	forbici per chirurgia, SALYER.....	010.13
DIETRICH-HEGEMANN, forbici per neurochirurgia, CC.....	014.8	forbici per chirurgia, TC.....	011.3
DOYEN, forbici per ginecologia.....	010.70	forbici per chirurgia, WAGNER.....	010.34
DUBOIS, forbici per ginecologia.....	010.74	forbici per chirurgia, WILMER.....	010.36
		forbici per enucleazione.....	010.34
E		forbici per episiotomia.....	010.79
EISELSBERG, forbici per legatura.....	010.51	forbici per episiotomia, BRAUN-STADLER.....	010.80
encluzione, forbici.....	010.34	forbici per episiotomia, WALDMANN.....	010.79
episiotomia, forbici.....	010.79	forbici per face-lift, ASTON.....	010.46
ESMARCH, forbici per bendaggi.....	010.92	forbici per face-lift, GORNEY.....	010.45
		forbici per face-lift, GORNEY, TC.....	011.19
F		forbici per face-lift, REES, TC.....	011.19
FAVALORO, forbici per neurochirurgia.....	010.65	forbici per filo metallico, BEEBEE.....	010.84
FERGUSSON, forbici per chirurgia.....	010.41	forbici per filo metallico, UNIVERSAL.....	010.83
FINOCCHIETTO, forbici per polmonare.....	010.78	forbici per filo metallico, UNIVERSAL, TC.....	011.24
FOMON, forbici per nasali.....	010.56	forbici per fistole, KELLY.....	010.72
FOMON, forbici per preparazioni.....	010.31	forbici per fistole, KELLY, CC.....	014.8
		forbici per fistole, KELLY, TC.....	011.21
		forbici per gengiva, DEAN.....	010.85



Indice, alfabetico

forbici per gengiva, DEAN, TC	011.22	forbici per preparazioni da nervi.....	010.32
forbici per gengiva, GOLDMANN-FOX.....	010.85	forbici per preparazioni, BABY-METZENBAUM	010.15
forbici per gengiva, GOLDMANN-FOX, SC.....	012.9	forbici per preparazioni, BABY-METZENBAUM, SC	012.4
forbici per gengiva, GOLDMANN-FOX, TC	011.22	forbici per preparazioni, CINELLI	010.30
forbici per gengiva, LA GRANGE	010.86	forbici per preparazioni, FOMON	010.31
forbici per gengiva, LOCKLIN	010.86	forbici per preparazioni, JAMESON	010.29
forbici per gengiva, LOCKLIN, TC.....	011.23	forbici per preparazioni, JOSEPH	010.33
forbici per ginecologia, DOYEN	010.70	forbici per preparazioni, JOSEPH, CC	014.7
forbici per ginecologia, DUBOIS	010.74	forbici per preparazioni, JOSEPH, TC.....	011.16
forbici per ginecologia, SIEBOLD.....	010.71	forbici per preparazioni, KAYE.....	010.44
forbici per ginecologia, SIMS	010.69	forbici per preparazioni, KILNER (RAGNELL).....	010.28
forbici per ginecologia, SIMS, TC	011.21	forbici per preparazioni, KILNER, CC.....	014.6
forbici per ginecologia, SIMS-SIEBOLD.....	010.71	forbici per preparazioni, LEXER	010.26
forbici per ginecologia, WERTHEIM	010.73	forbici per preparazioni, LEXER, TC.....	011.15
forbici per il retto, LLOYD-DAVIS	010.76	forbici per preparazioni, LEXER-BABY	010.25
forbici per il retto, RECTAL	010.77	forbici per preparazioni, LEXER-FINO.....	010.25
forbici per il retto, STELZNER	010.77	forbici per preparazioni, MAYO-LEXER, TC	011.14
forbici per incisioni	010.40	forbici per preparazioni, MAYO-STILLE, TC.....	011.5
forbici per iridectomia.....	010.35, 010.37	forbici per preparazioni, METZENBAUM. 010.15, 010.18- 010.20	010.20
forbici per iridectomia, MOD. BONN.....	010.38	forbici per preparazioni, METZENBAUM, CC	014.5
forbici per iridectomia, TC.....	011.18	forbici per preparazioni, METZENBAUM, SC.....	012.4
forbici per legatura, BUCK	010.49	forbici per preparazioni, METZENBAUM, TC.....	011.7
forbici per legatura, EISELSBERG	010.51	forbici per preparazioni, METZENBAUM-BABY, TC	011.7
forbici per legatura, HEATH.....	010.50	forbici per preparazioni, METZENBAUM-FINO.... 010.21- 010.23	010.23
forbici per legatura, LITTAUER	010.49	forbici per preparazioni, METZENBAUM-FINO S.....	010.20
forbici per legatura, NORTHBENT.....	010.50	forbici per preparazioni, METZENBAUM-FINO S, TC.....	011.12
forbici per legatura, SPENCER.....	010.48	forbici per preparazioni, METZENBAUM-FINO, CC.....	014.6
forbici per nasali, CAPLAN.....	010.57	forbici per preparazioni, METZENBAUM-FINO, SC.....	012.6
forbici per nasali, COTTLE	010.55	forbici per preparazioni, METZENBAUM-FINO, TC	011.10- 011.11
forbici per nasali, FOMON.....	010.56	forbici per preparazioni, METZENBAUM-LAHEY.....	010.24
forbici per nasali, HALLE.....	010.56	forbici per preparazioni, METZENBAUM-LAHEY, TC.....	011.13
forbici per nasali, HEYMANN	010.55	forbici per preparazioni, METZENBAUM-NELSON.....	010.16- 010.19
forbici per nervio trigemino, OLIVECRONA.....	010.54	forbici per preparazioni, METZENBAUM-NELSON, CC.....	014.5
forbici per neurochirurgia	010.66- 010.67	forbici per preparazioni, METZENBAUM-NELSON, SC.....	012.5
forbici per neurochirurgia, DANDY	010.52	forbici per preparazioni, METZENBAUM-NELSON, TC	011.8- 011.9
forbici per neurochirurgia, DE BAKEY 010.60, 010.64- 010.65	010.65	forbici per preparazioni, METZENBAUM-NELSON, TC	011.17
forbici per neurochirurgia, DE BAKEY, TC.....	011.20	forbici per preparazioni, MIXTER.....	010.27
forbici per neurochirurgia, DIETHRICH	010.64	forbici per preparazioni, PECK-JOSEPH..... 010.46- 010.47	010.47
forbici per neurochirurgia, DIETHRICH-HEGEMANN.....	010.62	forbici per preparazioni, RAGNELL, TC.....	011.16
forbici per neurochirurgia, DIETRICH-HEGEMANN, CC	014.8	forbici per preparazioni, REYNOLDS	010.30
forbici per neurochirurgia, FAVALORO	010.65	forbici per preparazioni, REYNOLDS, CC	014.7
forbici per neurochirurgia, KLINKENBERG-LOTH.....	010.68	forbici per preparazioni, SANVENERO	010.32
forbici per neurochirurgia, LINCOLN	010.53	forbici per preparazioni, THOREK	010.31
forbici per neurochirurgia, MC INDOE.....	010.61	forbici per preparazioni, TOENNIS	010.44
forbici per neurochirurgia, POTTS-DE MARTEL.....	010.61	forbici per preparazioni, TOENNIS-ADSON	010.24
forbici per neurochirurgia, POTTS-SMITH	010.63	forbici per preparazioni, TOENNIS-ADSON, SC	012.6
forbici per neurochirurgia, POTTS-SMITH, SC	012.8	forbici per preparazioni, TOENNIS-ADSON, TC	011.14
forbici per neurochirurgia, SATINSKY	010.68	forbici per strabismo	010.35
forbici per neurochirurgia, SCHMIEDEN-TAYLOR	010.52	forbici per strabismo, SC	012.7
forbici per neurochirurgia, STRULLY	010.51	forbici per tenotomia, STEVENS	010.43
forbici per polmonare, CRAFOORD	010.67	forbici per tenotomia, STEVENS, SC	012.8
forbici per polmonare, FINOCCHIETTO	010.78	forbici per tonsille, BOETTCHER.....	010.58
forbici per polmonare, POTTS-SMITH	010.67	forbici per tonsille, GOOD	010.59
forbici per polmonare, WILLAUER	010.78		
forbici per preparazioni, SHEA VEIN GRAFT	010.29		
forbici per preparazioni.....	010.27, 010.47		

Indice, alfabetico

forbici per tonsille, KIRSTEIN	010.58
forbici per tonsille, PRINCE	010.59
forbici, CARTILAGE	010.57
forbici, PARAMETRIUM, TC	011.6
forbico per iridectomia, SC	012.7

G

GOLDMANN-FOX, forbici per gengiva.....	010.85
GOLDMANN-FOX, forbici per gengiva, SC.....	012.9
GOLDMANN-FOX, forbici per gengiva, TC	011.22
GOOD, forbici per tonsille	010.59
GORNEY, forbici per face-lift.....	010.45
GORNEY, forbici per face-lift, TC	011.19
GRAEFE, forbici per chirurgia	010.37

H

HALLE, forbici per nasali.....	010.56
HEATH, forbici per legatura.....	010.50
HEYMANN, forbici per nasali	010.55

I

incisioni, forbici.....	010.40
iridectomia, forbici.....	010.35, 010.37
iridectomia, forbici, CC.....	014.4
iridectomia, forbici, SC.....	012.7
iridectomia, forbici, TC	011.18

J

JAMESON, forbici per preparazioni	010.29
JOSEPH, forbici per preparazione, CC	014.7
JOSEPH, forbici per preparazione, TC.....	011.16
JOSEPH, forbici per preparazioni	010.33

K

KAYE, forbici per preparazioni.....	010.44
KELLY, forbici per fistole.....	010.72
KELLY, forbici per fistole, CC	014.8
KELLY, forbici per fistole, TC	011.21
KILNER (RAGNELL), forbici per preparazioni.....	010.28
KILNER, forbici per preparazione, CC.....	014.6
KIRSTEIN, forbici per tonsille	010.58
KLINGENBERG-LOTH, forbici per neurochirurgia	010.68
KNOWLES, forbici per bendaggi.....	010.90

L

LA GRANGE, forbici per gengiva	010.86
LANDOLT, forbici per chirurgia	010.42
LEXER, forbici per preparazione	010.26
LEXER, forbici per preparazione, TC.....	011.15
LEXER-FINO, forbici per preparazione.....	010.25
LINCOLN, forbici per neurochirurgia.....	010.53
LISTER, forbici per bendaggi	010.87- 010.88
LISTER, forbici per bendaggi, SC	012.9
LISTER, forbici per bendaggi, TC.....	011.25
LISTER-EXCENTRIC, forbici per bendaggi	010.89
LITTAUER, forbici per legatura	010.49

LLOYD-DAVIES, forbici per il retto.....	010.76
LOCKLIN, forbici per gengiva	010.86
LOCKLIN, forbici per gengiva, TC.....	011.23
LORENZ, forbici per bendaggi	010.90

M

MAYO, forbici per chirurgia	010.10
MAYO, forbici per chirurgia, CC	014.3
MAYO, forbici per chirurgia, SC	012.3
MAYO, forbici per chirurgia, TC.....	011.4
MAYO-HARRINGTON, forbici per preparazione	010.14
MAYO-LEXER, forbici per preparazione, TC	011.14
MAYO-STILLE, forbici per chirurgia	010.11- 010.13
MAYO-STILLE, forbici per chirurgia, CC	014.4
MAYO-STILLE, forbici per chirurgia, TC.....	011.5
MC INDOE, forbici per neurochirurgia.....	010.66
METZENBAUM, forbici per preparazione 010.15, 010.18- 010.20	
METZENBAUM, forbici per preparazione, CC	014.5
METZENBAUM, forbici per preparazione, SC.....	012.4
METZENBAUM, forbici per preparazione, TC.....	011.7
METZENBAUM-FINO S, forbici per preparazione, TC.....	011.12
METZENBAUM-FINO, forbici per preparazione.. 010.20- 010.23	
METZENBAUM-FINO, forbici per preparazione, CC 014.6- 014.7	
METZENBAUM-FINO, forbici per preparazione, SC.....	012.6
METZENBAUM-FINO, forbici per preparazione, TC	011.10- 011.11
METZENBAUM-LAHEY, forbici per preparazione	010.24
METZENBAUM-LAHEY, forbici per preparazione, TC	011.13
METZENBAUM-NELSON, forbici per preparazione.....	010.16- 010.19
METZENBAUM-NELSON, forbici per preparazione, CC	014.5
METZENBAUM-NELSON, forbici per preparazione, SC.....	012.5
METZENBAUM-NELSON, forbici per preparazione, TC.....	011.8- 011.9
METZENBAUM-THOREK, forbici per preparazione, TC.....	011.17
MIXTER, forbici per preparazione	010.27
MOD. BONN, forbici per iridectomia.....	010.38
MOD. USA, forbici ombelicali.....	010.81

N

neurochirurgia, forbici.....	010.66- 010.67
NORTHBENT, forbici per legatura	010.50

O

O'BRIEN, forbici per chirurgia	010.39
OLIVECRONA, forbici per nervio trigemino.....	010.54

P

PARAMETRIUM, forbici, TC	011.6
PECK-JOSEPH, forbici per preparazione	010.46- 010.47
POTTS -SMITH, forbici per neurochirurgia, SC	012.8
POTTS-DE MARTEL, forbici per neurochirurgia.....	010.61
POTTS-SMITH, forbici per neurochirurgia	010.63
POTTS-SMITH, forbici per polmonare	010.67
preparazioni da nervi, forbici	010.32
preparazioni, forbici.....	010.27, 010.47



Indice, alfabetico

PRINCE, forbici per tonsille.....010.59

R

RAGNELL, forbici per preparazione, TC011.16
RECTAL, forbici per il retto010.77
REES, forbici per face-lift, TC011.19
REYNOLDS, forbici per preparazione010.30
REYNOLDS, forbici per preparazione, CC014.7
RIBBON, forbici per chirurgia.....010.37
RICHTER, forbici per chirurgia010.41

S

SALYER, forbici per preparazioni010.13
SANVENERO, forbici per preparazioni010.32
SATINSKY, forbici per neurochirurgia.....010.68
SCHMIEDEN-TAYLOR, forbici per neurochirurgia010.52
SCHUMACHER, forbici ombelicali010.81
SEUTIN, forbici per bendaggi.....010.94
SHEA VEIN GRAFT, forbici per preparazioni010.29
SIEBOLD, forbici per ginecologia.....010.71
SIMS, forbici per ginecologia010.69
SIMS, forbici per ginecologia, TC011.21
SIMS-SIEBOLD, forbici per ginecologia.....010.71
SPENCER, forbici per legatura.....010.48
STELZNER, forbici per il retto010.77
STEVENS, forbici per tenotomia010.43
STEVENS, forbici per tenotomia, SC012.8
strabismo, forbici.....010.35
strabismo, forbici, SC.....012.7
STRULLY, forbici per neurochirurgia010.51

T

THOREK, forbici per preparazioni010.31
TOENNIS, forbici per preparazioni010.44
TOENNIS-ADSON, forbici per preparazione010.24
TOENNIS-ADSON, forbici per preparazione, SC012.6
TOENNIS-ADSON, forbici per preparazione, TC011.14

U

UNIVERSAL, forbici per bendaggi.....010.95
UNIVERSAL, forbici per filo metallico010.83
UNIVERSAL, forbici per filo metallico, TC.....011.24

W

WAGNER, forbici per chirurgia, fini010.34
WALDMANN, forbici per episiotomia010.79
WERTHEIM, forbici per ginecologia010.73
WILLAUER, forbici per polmonare010.78
WILMER, forbici per chirurgia010.36